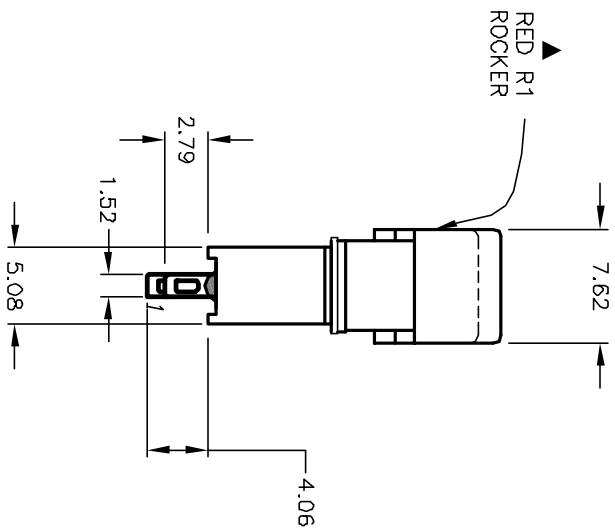
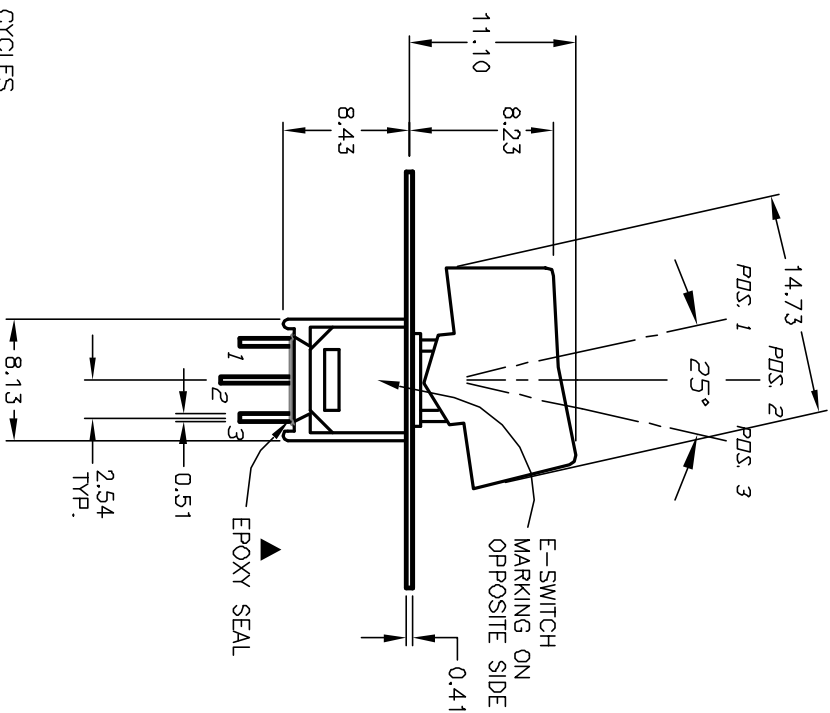


SWITCH FUNCTION		
POS. 1	POS. 2	POS. 3
DN	DN	DN
DN	NONE	DN
2-3	OPEN	2-1

NOTES:

1. ALL DIMENSIONS IN MM
2. GENERAL TOLERANCE: X.X=±0.4
X.XX=±0.25
3. TERM. NOS. FOR REF. ONLY
4. RATING: 0.4VA @20V AC or DC max.
5. FIXED TERMINAL/MOVING CONTACT:
COPPER ALLOY w/Gold plate over
Nickel plate.
6. ELECTRICAL LIFE: 30,000 MAKE-AND-BREAK CYCLES
AT FULL LOAD.
7. INSULATION RESISTANCE: 1000M OHM TYPICAL
8. DIELECTRIC STRENGTH: 1,000 V RMS @SEA LEVEL
9. OPERATING TEMP.: -30°C to 85°C



A		12367	RELEASED	10/4/02	CB	TITLE	
REV.	ECN NO.	DESCRIPTION	DATE	CHKD	SCALE	DATE	400 WSP-1 R1 (RED) M1 RE (GOLD CONTACTS)
E-SWITCH®							
		THE INFORMATION CONTAINED IN THIS DOCUMENT IS PREPARED FOR E-SWITCH AND IS NOT TO BE COPIED OR TRANSFERRED		DR	DWG	REV	
				CB	T411109	A	