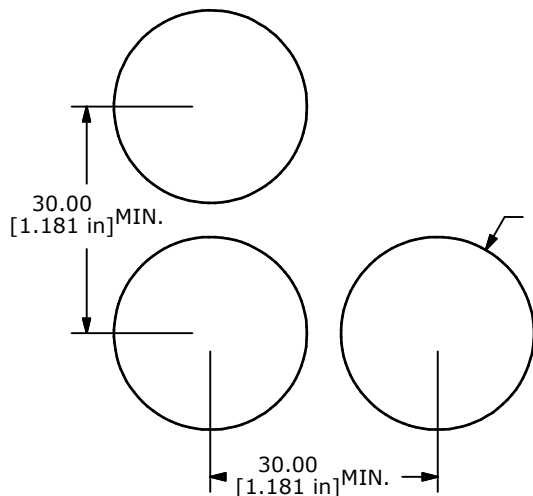
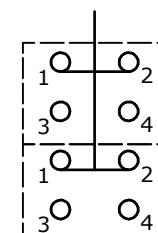
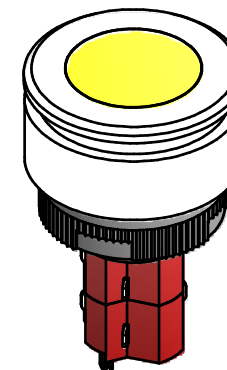
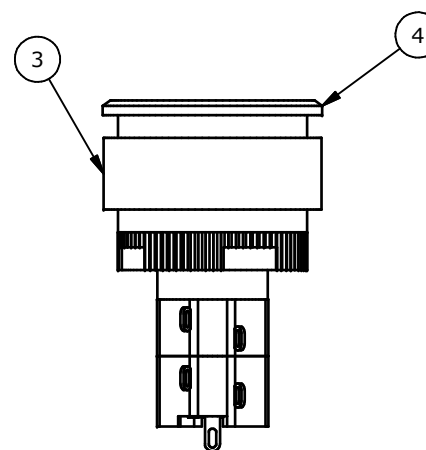
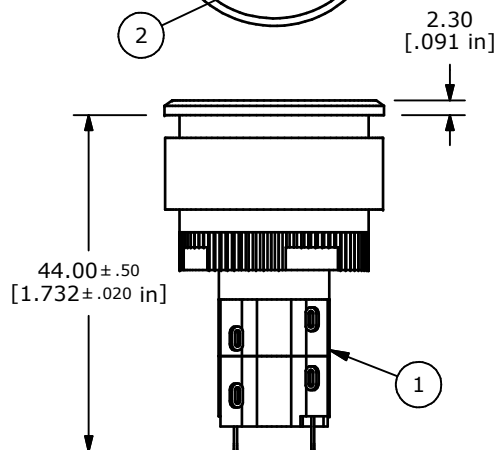
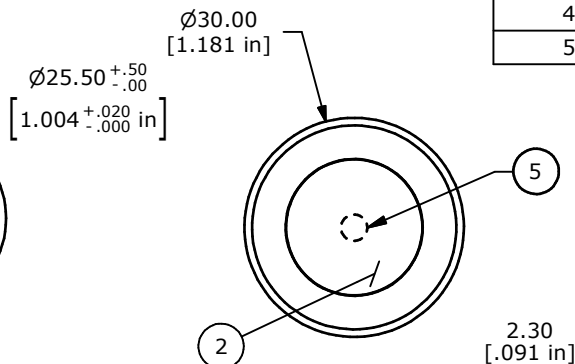


▲ Parts List

ITEM	QTY	PART NUMBER	DESCRIPTION
1	1	F060603	LASEEV12
2	1	F060206	25 MM YELLOW LENS
3	1	F051705	V3 FLUSH MOUNT RETAINER
4	1	F051704	V3 FLUSH MOUNT BEZEL
5	1	F050424	YELLOW 24VDC LED



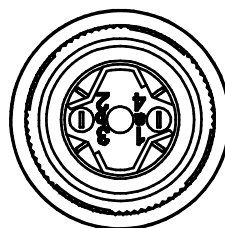
RECOMMEND PANEL MOUNTING



a ○ ○ b (+)

DPDT  
CONTACT CONFIGURATION

- NOTES:
1. ALL DIMENSIONS IN MM [INCH].
  2. GENERAL TOLERANCE: 0.0±0.4  
0.00±0.25
  3. TERM. NOS. FOR REF. ONLY.
  - ▲ 4. RATING: 5A @250VAC  
8A @125VAC  
.2A @250VDC  
6A @24VDC
  5. INSULATION: 1,000 MΩ MIN.
  6. DIELECTRIC STRENGTH: 2000V FOR 1 MIN.
  7. SEALED TO IP65.
  8. TRAVEL: 3.0MM FULL TRAVEL, 2.0MM LATCH
  9. ELECTRICAL LIFE: >50,000 CYCLES
  10. OPERATING TEMP: -25C TO +55C
  11. PANEL THICKNESS: 0.5 TO 3.0MM
  - ▲ 12. LED VOLTAGE: 24VDC YELLOW
  13. ▲ DENOTES CRITICAL PARAMETER.
  - ▲ 14. PACKAGE: BOX/20 PER
  15. 2002/95/EC (ROHS) COMPLIANT



TITLE LASEEV32KYELYEL

A	18148	RELEASED FOR PRODUCTION	6/20/08	BLR
REV	PCR NO	DESCRIPTION	DATE	BY

SCALE	DATE	DR	DWG	REV
1:1	6/20/2008	BLR	XF0758P	A

THE INFORMATION CONTAINED IN THIS DOCUMENT IS PROPRIETARY TO E-SWITCH AND IS NOT TO BE COPIED OR TRANSFERRED