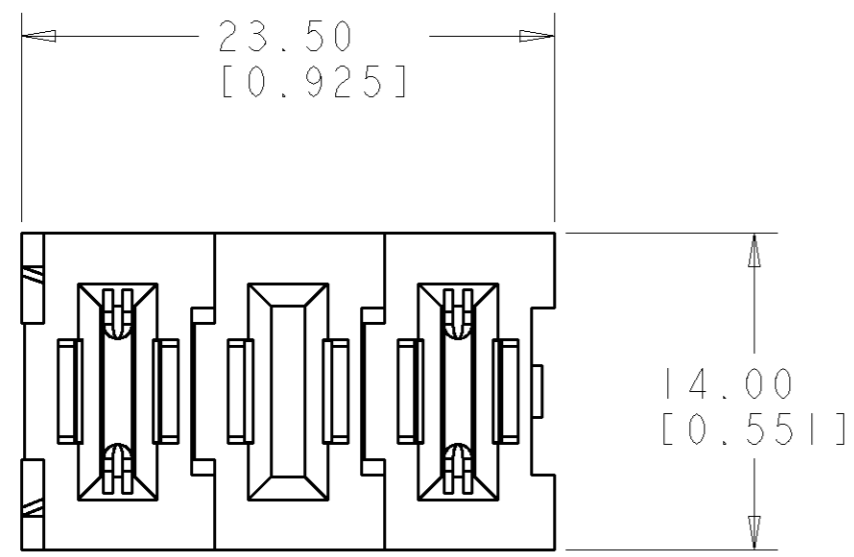


THIS DRAWING IS UNPUBLISHED. RELEASED FOR PUBLICATION 20
 © COPYRIGHT 20 BY TYCO ELECTRONICS CORPORATION. ALL RIGHTS RESERVED.

LOC	DIST	REVISIONS					
GP	00	P	LTR	DESCRIPTION	DATE	DWN	APVD
			A	RELEASED	19JAN2006	RG	PD

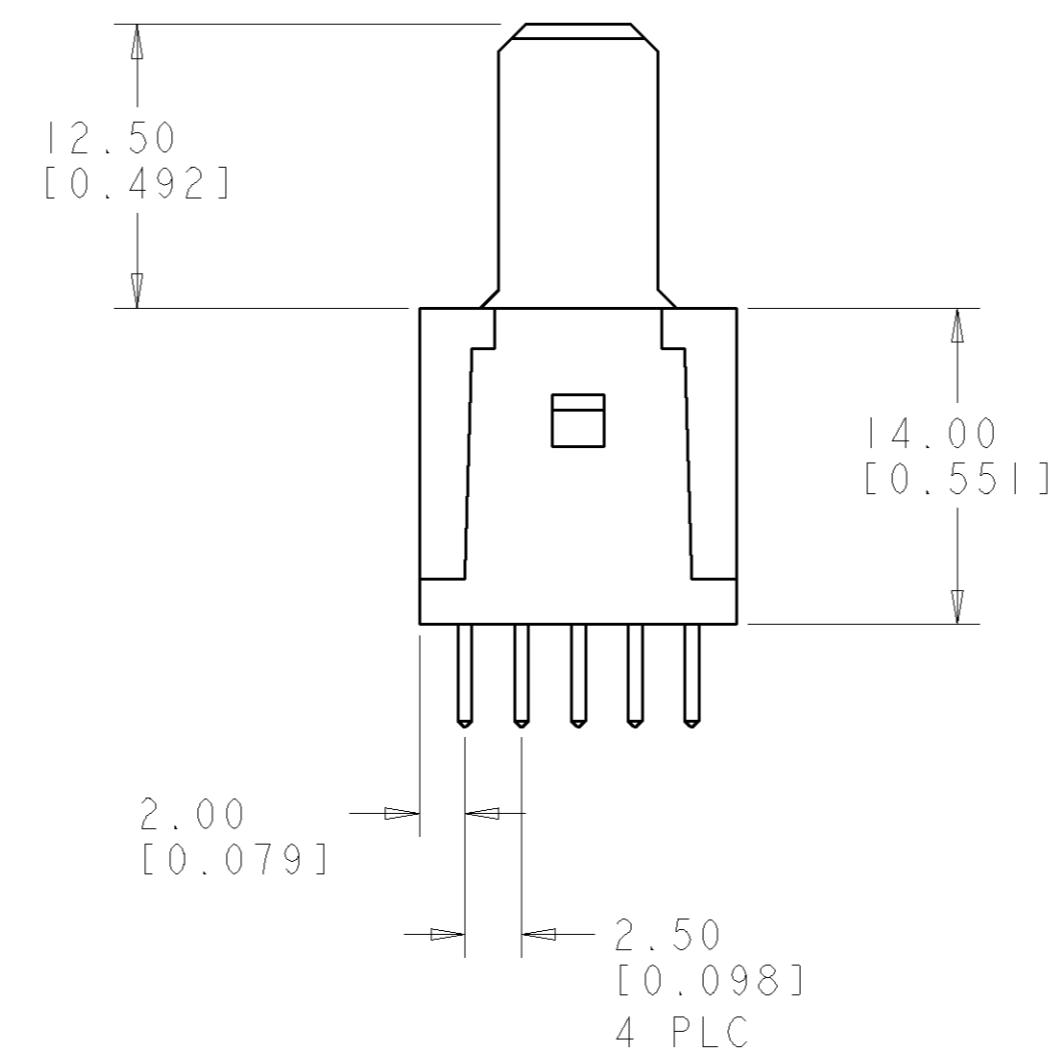
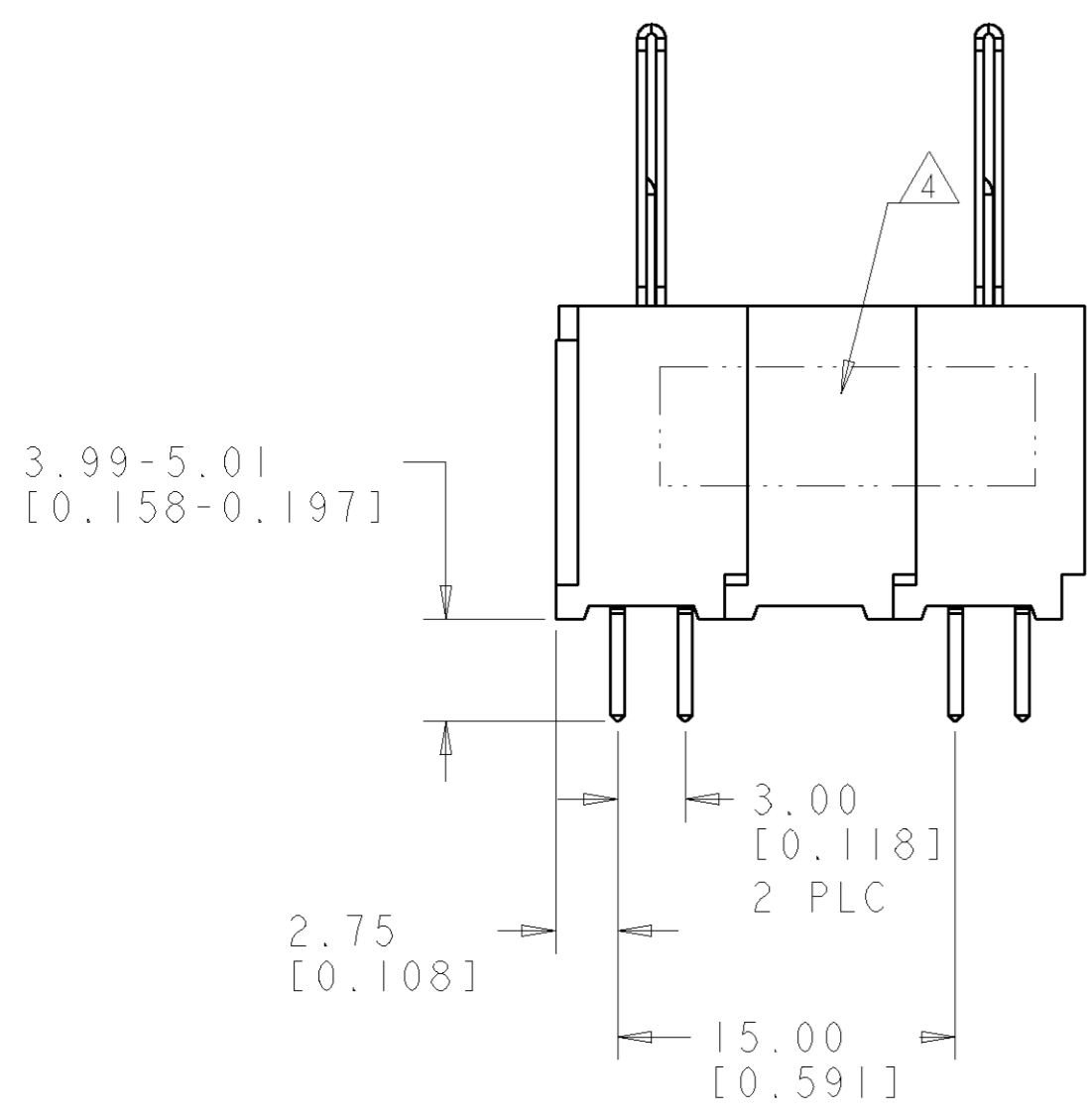
- PART NUMBER CHANGES AND OR DESIGN CHANGES AFFECTING ITEM INTERCHANGEABILITY REQUIRE PRIOR TYCO APPROVAL AND AUTHORIZATION BY REVISION TO THIS DRAWING.
- MATERIAL:
 - INSULATORS - THERMOPLASTIC, GLASS REINFORCED, COLOR: BLACK UL94V-0 FLAMMABILITY RATED.
 - POWER CONTACTS - PHOSPHOR BRONZE ALLOY, COPPER ALLOY
 - CROWN BANDS - BERYLLIUM COPPER ALLOY
- FINISH:
 - CONTACTS - GOLD PLATE PER MIL-G-45204 TYPE II, CLASS 0. .000030 INCH MIN. THK., OVER NICKEL PER QQ-N-290, CLASS 2, .000040 INCH MIN. THK SOLDER TAILS, TIN PER ASTM B 545, .000100 INCH MIN. THK.



△ ITEMS PROVIDED TO THIS SPECIFICATION TO BE PERMANENTLY IDENTIFIED PER THE FOLLOWING IDENTIFIER LABEL

YEAR WEEK
 TYCO PART NO. & REV DATE CODE (e.g. 0106)
 XXXXXXXX-X XXXX

5. MATES WITH TYCO P/N 1926029-1



AS SHOWN	1926028-1
DESCRIPTION	PART NUMBER

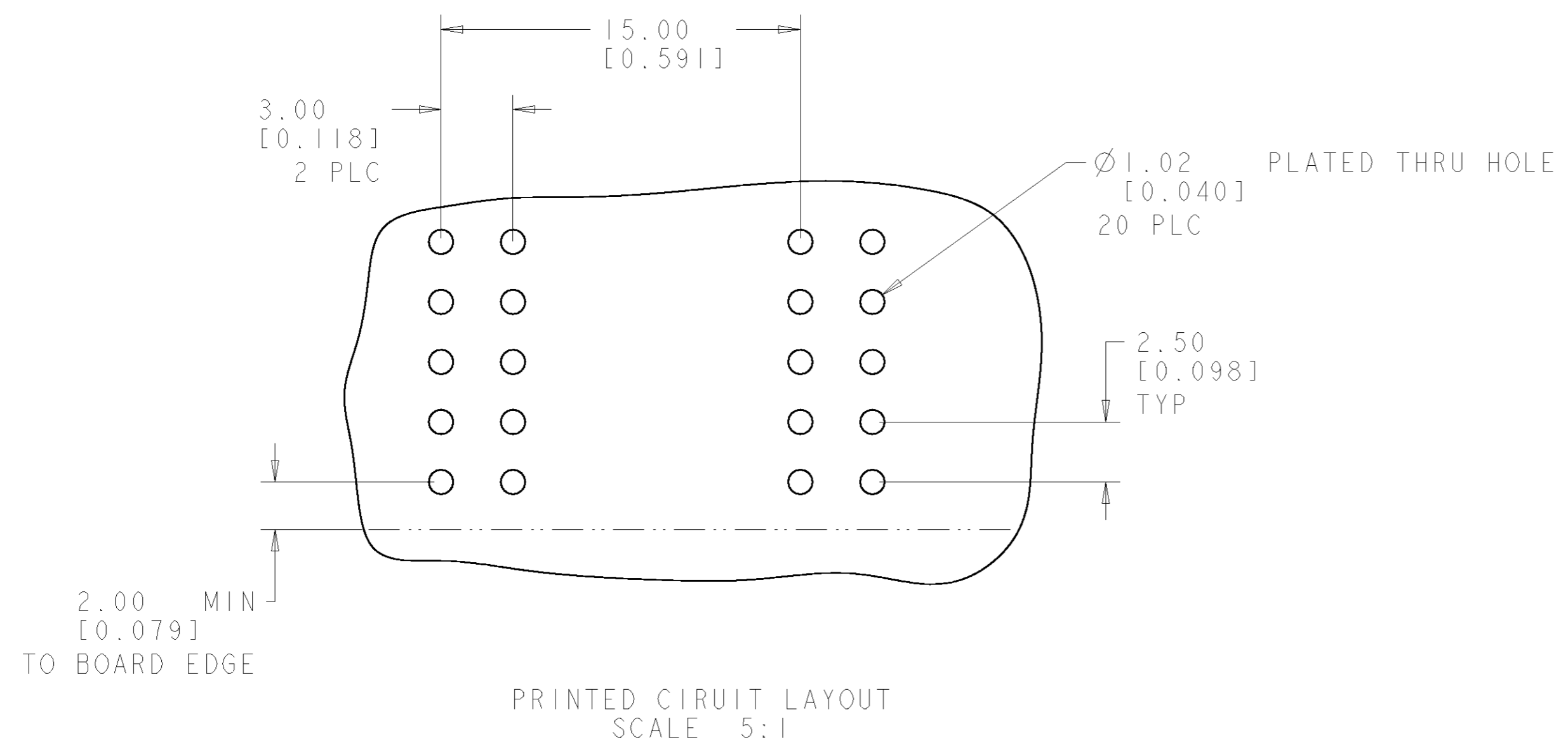
THIS DRAWING IS A CONTROLLED DOCUMENT FOR TYCO ELECTRONICS CORPORATION. IT IS SUBJECT TO CHANGE AND THE CONTROLLING ENGINEERING ORGANIZATION SHOULD BE CONTACTED FOR THE LATEST REVISION.		DWN R. GRZYBOWSKI 19JAN2006	Tyco Electronics Harrisburg, PA 17105-3608
DIMENSIONS: mm [INCHES]		CHK P. DAMATO 19JAN2006	
TOLERANCES UNLESS OTHERWISE SPECIFIED: 0 PLC ±.5 1 PLC ±.5 2 PLC ±.25 3 PLC ±.5 4 PLC ±.5 ANGLES ±.5 FINISH		APVD S. FLICKINGER 19JAN2006	NAME STRAIGHT PIN CONN., HOT PLUG SOLDER TAILS AND PC LAYOUT FLATPAQ
MATERIAL		PRODUCT SPEC -	SIZE A200779
		APPLICATION SPEC -	CAGE CODE C-1926028
		WEIGHT -	DRAWING NO. -
		CUSTOMER DRAWING	RESTRICTED TO -
		SCALE 4:1	SHEET 1 OF 2 REV A

ELCON FLATPAQ

THIS DRAWING IS UNPUBLISHED. RELEASED FOR PUBLICATION 20
 © COPYRIGHT 20 BY TYCO ELECTRONICS CORPORATION. ALL RIGHTS RESERVED.

LOC	DIST	REVISIONS					
GP	00	P	LTR	DESCRIPTION	DATE	DWN	APVD
		-		SEE SHEET 1	-	-	-

CONNECTOR	CATALOG MODULE #	QTY	SIZE NO.	CONTACT QTY	MATING PIN	MAX. CURRENT (PER CONTACT)	CONTACT SPACING	VOLTAGE RATING
PIN	FP102	2	8	2	1.25 X 7.00 [.049 X .276]	35 amps	7.50 [.2953]	250
	FP511	1	-	-	-	-	-	-



<small>THIS DRAWING IS A CONTROLLED DOCUMENT FOR TYCO ELECTRONICS CORPORATION. IT IS SUBJECT TO CHANGE AND THE CONTROLLING ENGINEERING ORGANIZATION SHOULD BE CONTACTED FOR THE LATEST REVISION.</small>		DWN R. GRZYBOWSKI 19 JAN 2006 CHK P. DAMATO 19 JAN 2006 APVD S. FLICKINGER 19 JAN 2006	tyco Tyco Electronics Electronics Harrisburg, PA 17105-3608
DIMENSIONS: mm [INCHES]	TOLERANCES UNLESS OTHERWISE SPECIFIED: 0 PLC ±.5 1 PLC ±.5 2 PLC ±.25 3 PLC ±.5 4 PLC ±.5 ANGLES ±.5 FINISH	NAME STRAIGHT PIN CONN., HOT PLUG SOLDER TAILS AND PC LAYOUT FLATPAQ PRODUCT SPEC - APPLICATION SPEC - WEIGHT -	SIZE A2 CAGE CODE 00779 DRAWING NO. C-1926028 RESTRICTED TO -
MATERIAL -		CUSTOMER DRAWING	
		SCALE 4:1	SHEET 2 OF 2 REV A