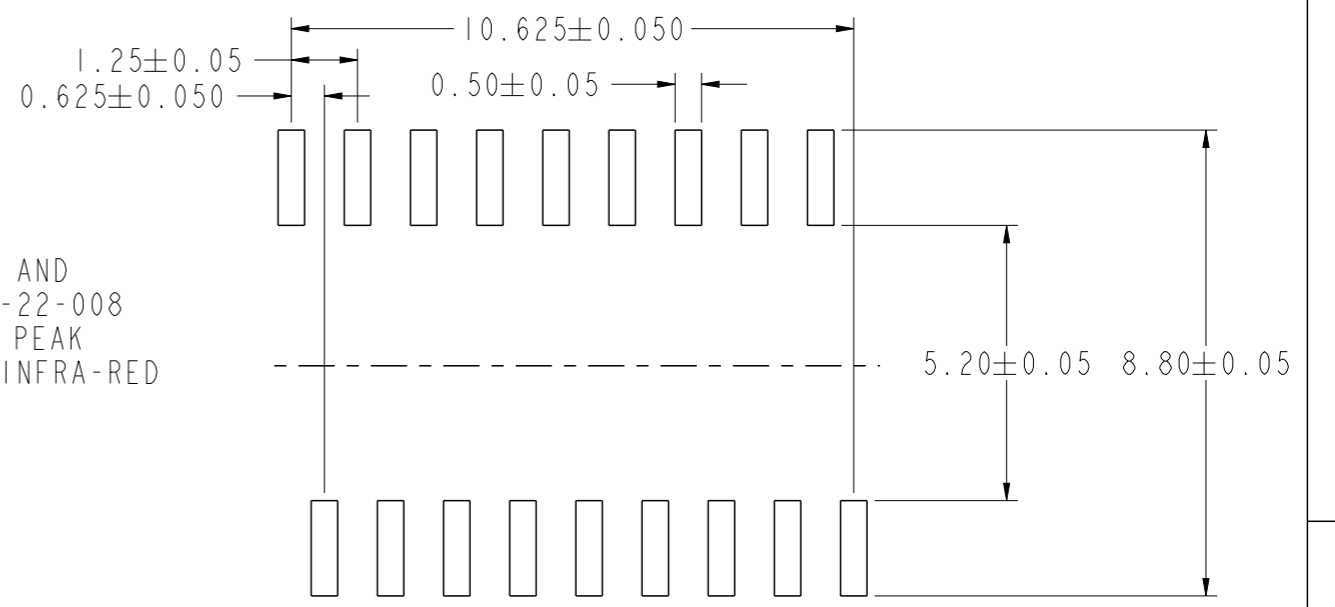
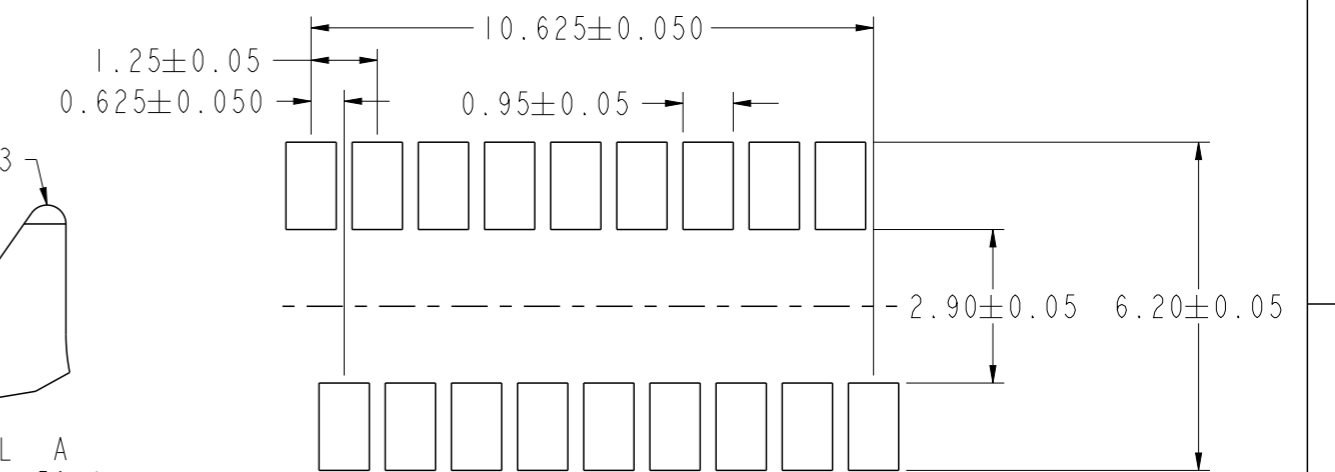


PRODUCT NO.	PACKAGING
10121135-001LF	TUBE
10121135-001TRLF	TAPE AND REEL

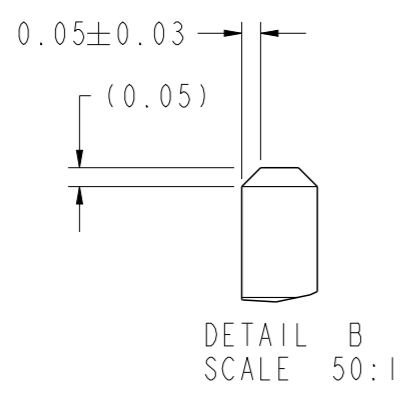
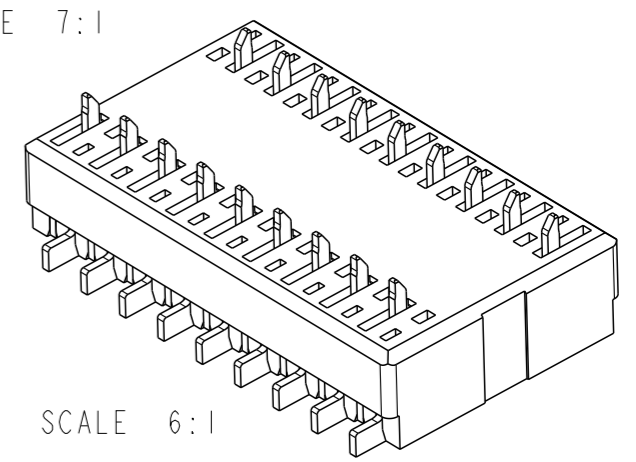
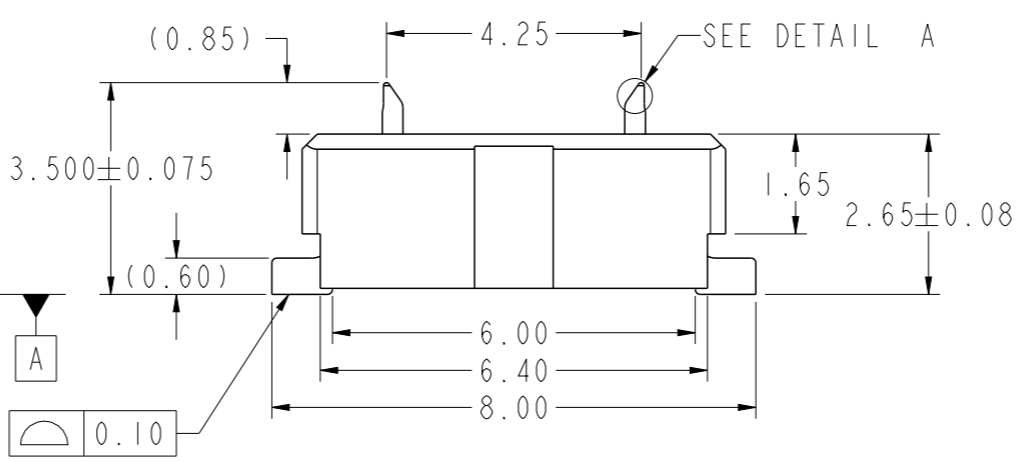
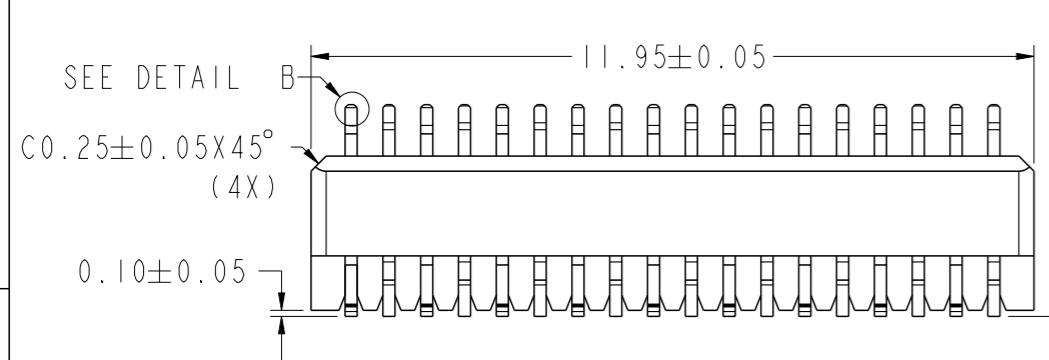
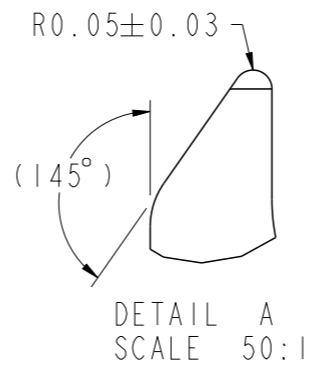
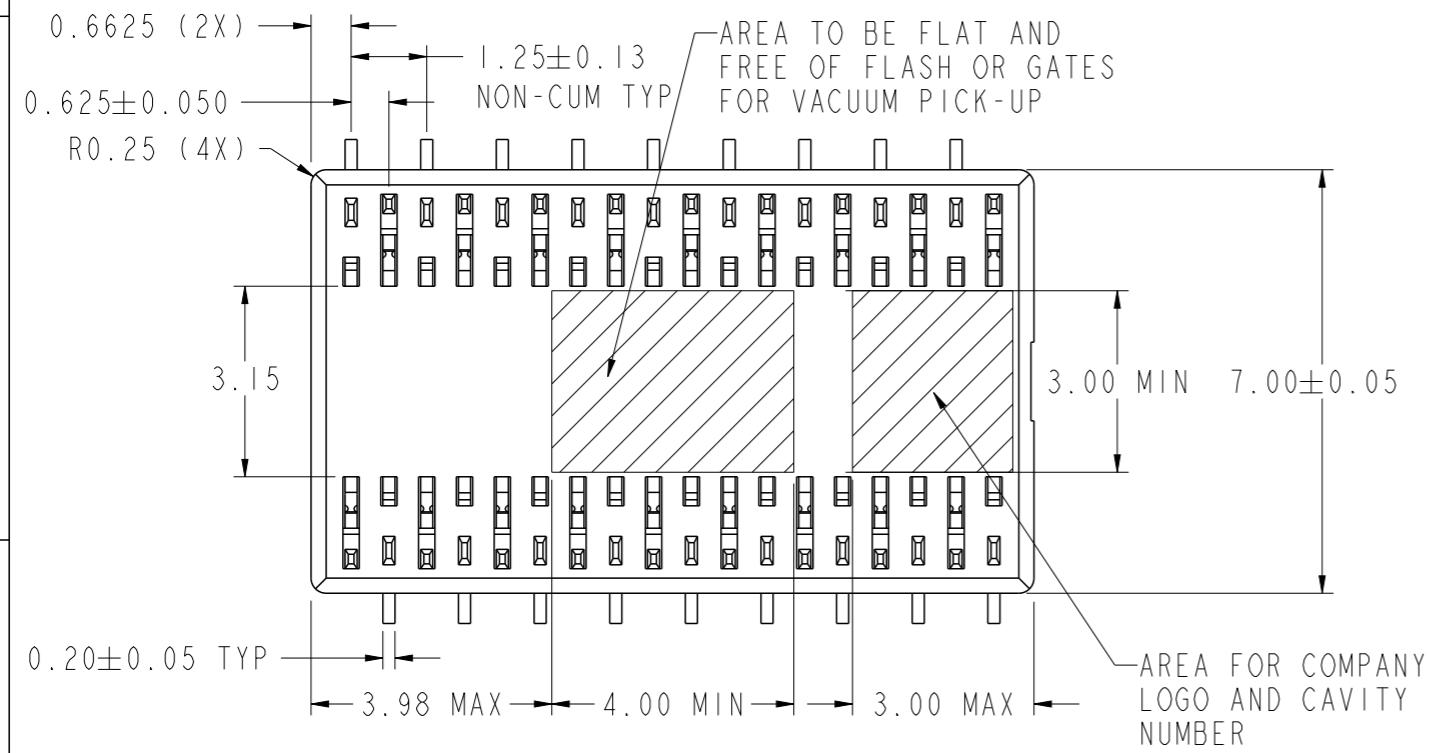
NOTES:
 1. MATERIALS:
 HOUSING: HIGH TEMPERATURE PLASTIC, BLACK
 CONTACT: COPPER ALLOY
 2. CONTACT FORCE:
 115g MIN WHEN COMPRESSED TO A WORKING OR
 STACK HEIGHT OF 2.97 mm FROM DATUM A
 3. THIS PRODUCT MEETS EUROPEAN UNION DIRECTIVES AND
 OTHER COUNTRY REGULATIONS AS DESCRIBED IN GS-22-008
 4. THE HOUSING WILL WITHSTAND EXPOSURE TO 260°C PEAK
 TEMPERATURE FOR 10 SECONDS IN A CONVECTION, INFRA-RED
 OR VAPOR PHASE REFLOW OVEN
 5. PLATING:
 TIN (LEAD FREE) OVER NICKEL UNDERPLATE



SCALE 7:1
 RECOMMENDED SMT PAD DIM.
 (NO. OF PADS DEPEND ON NO. OF POSITIONS OF THE CONNECTOR)



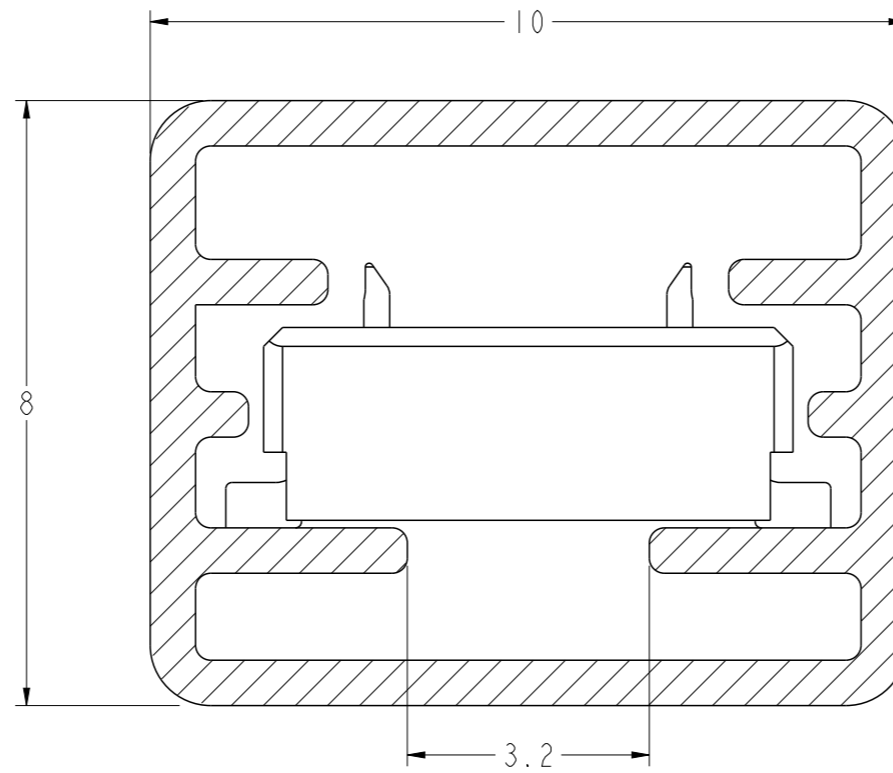
RECOMMENDED CONTACT PAD DIM.
 (NO. OF PADS DEPEND ON NO. OF POSITIONS OF THE CONNECTOR)
 SCALE 7:1



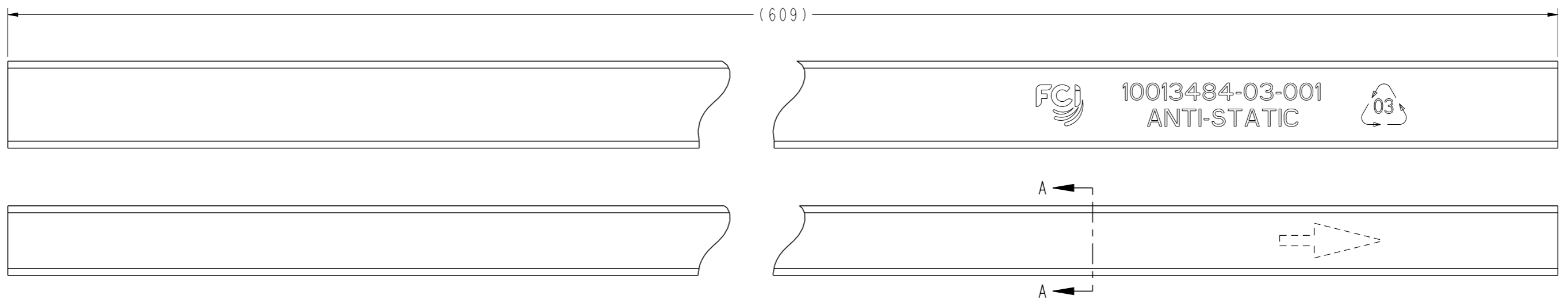
spec ref	dr	Dennis Goh	2012/10/24	projection	MM	size	A3	scale	8:1
tolerance std	eng	Dennis Goh	2012/11/06			ecn no	-	rel level	Released
ASME Y14.5	chr	-	-						
TOLERANCES UNLESS OTHERWISE SPECIFIED surface ✓	ASME Y14.5	linear	0.X	±0.2		product family COMPRESSION CONNECTOR (1.25 mm PITCH)	dwg no 10121135	rev A	
		angular	0°	±2°					
www.fci.com		cat. no.		Product - Customer Drw			sheet 1 of 2		

Copyright FCI.

TUBE PACKAGING



SECTION A-A
SCALE 10:1



NOTE:
QTY: 49 PCS PER TUBE

dr	Dennis Goh	2012/10/24	projection	MM	size	A3	scale	8:1
eng	Dennis Goh	2012/11/06			ecn no		-	
chr	-	-			rel level		Released	
appr	Chen-Hong Tan	2012/11/06	product family			rel level		Released
		cat. no. COMPRESSION CONNECTOR (1.25 mm PITCH)			dwg no. 10121135		rev. A	
www.fci.com			Product - Customer Drw			sheet 2 of 2		