

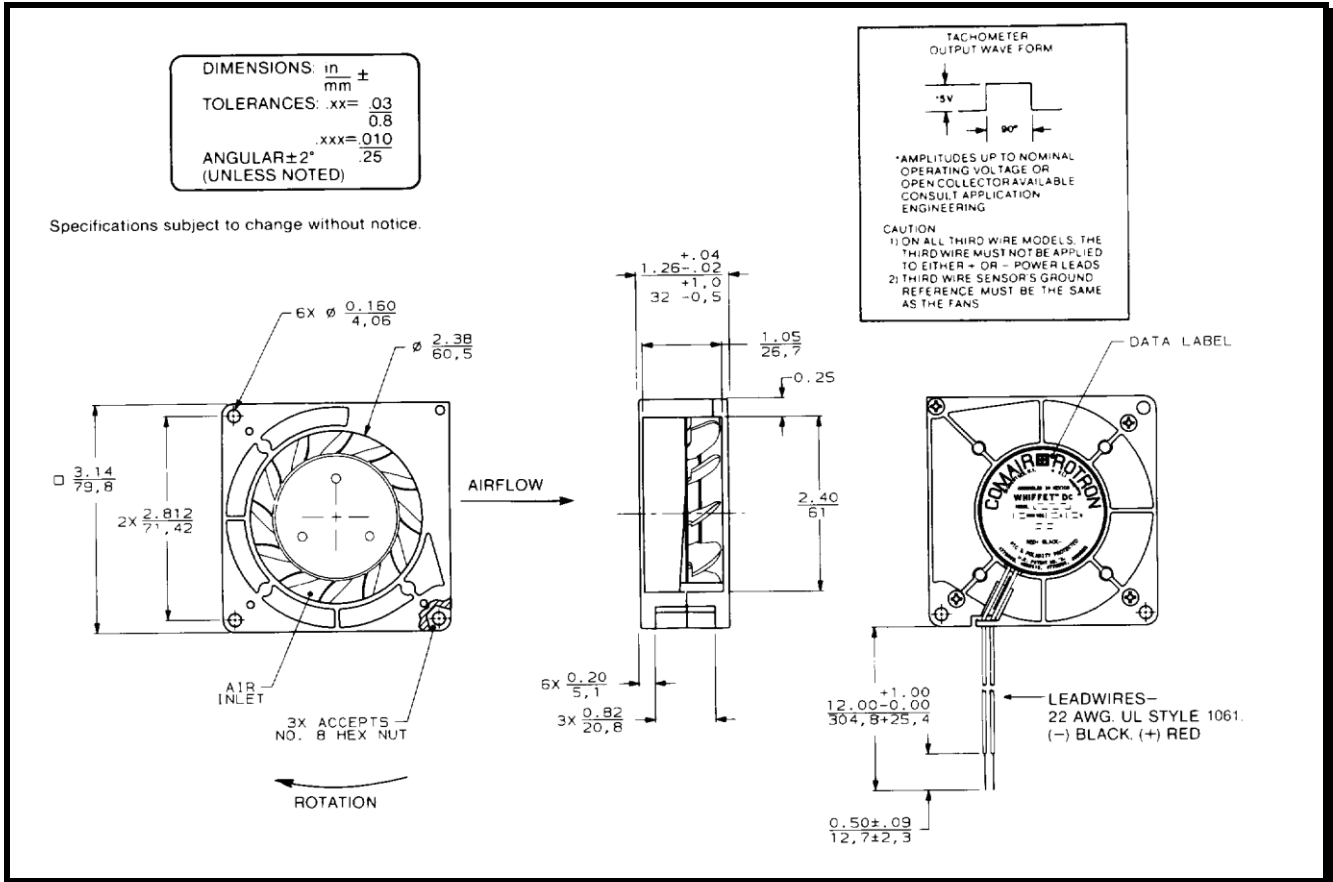
SPECIFICATIONS



Model Number: WT24Z7-E2
Part Number: 16003387A

Feb. 16, 2013

Mechanical Drawing:



Motor:

Nominal Voltage = 24 vdc
 Operating Voltage Range = 12 to 28 vdc
 Nominal Running Current = 0.42 Amps
 Max. Locked Rotor Current = 1.50 Amps
 Running Power = 10.2 Watts
 Average Speed = 5300 RPM
 Bearings = Ball
 Air Flow = 20 CFM
 Acoustic = 56.8 dBA

Construction:

Venturi: Plastic, Black, UL 94V-0
 Propeller: Polypropylene, Black, UL 94V-0

Life Expectancy:

This fan is designed for continuous duty life of 70,000 hours at 25°C.

Agency Approvals:

UL, CE

Additional Features:

Brushless DC Motor
 Locked Rotor Protection
 Automatic Restart Capability
 Polarity Protected
 Operating Temperature: -10°C to 70°C
 Storage Temperature: -40°C to 85°C
 Enviroshield Type 2

Tachometer:

Output: 5v TTL Compatible
 I_c: 5mA Typical
 Pulses per Revolution: 2
 Isolated: No

Termination:

12" leadwires, 22AWG, UL 1061
 Red - Power (+)
 Black - Return (-)
 Blue/white - Tach