

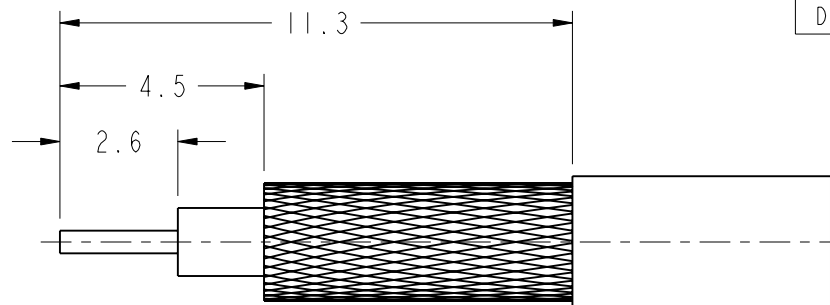
NOTES:

1. MATERIALS AND FINISHES(PLATING THICKNESS IN MICRO-INCHES):  
 BODY - BERYLLIUM COPPER, WHITE BRONZE PLATING (COPPER-TIN-ZINC)  
 CONTACT - BERYLLIUM COPPER, GOLD PLATING  
 INSULATOR - PTFE
2. ELECTRICAL:  
 A. IMPEDANCE: 50 OHM  
 B. FREQUENCY RANGE: DC 0- 4 GHz  
 C. VSWR(RETURN LOSS): 1.5 MAX.  
 C. DIELECTRIC WITHSTANDING VOLTAGE: 1000 VRMS, MIN
3. MECHANICAL:  
 A. DURABILITY: 500 CYCLES MIN.  
 B. TEMPERATURE RANGE: -40°C TO +155°C
4. OTHER  
 A. CRIMPED FERRULE: HEX CRIMP SIZE .105"  
 B. SOLDER CONTACT CONDUCTOR

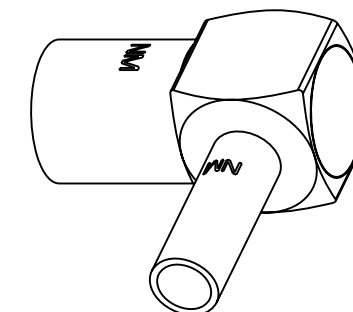
THIRD ANGLE PROJ.

REVISIONS

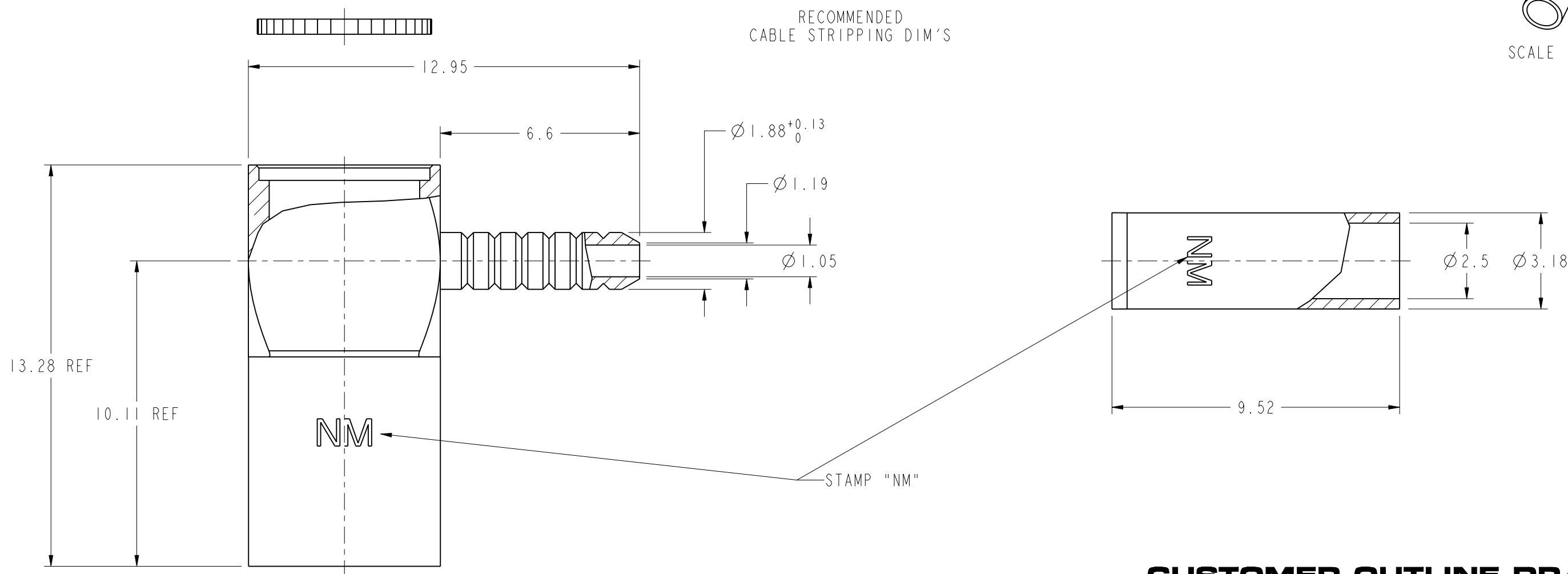
REV	DESCRIPTION	DATE	ECO	APPR
A	RELEASE TO MFG.	8/8/06	46108	CISSY
B	CHANGE NOTE 3 "0.005" TO "0.12"; 13.28 WAS 13.36; 9.03 WAS 10.11; ADD NOTE WITH ARROWS "ITEM 2&ITEM 1 MUST BOTT AGAINST ITEM 6 AS SHOWN, AND ITEM 6 WAS CHANGED"	9-16-06	46257	JEKY
C	TRANSFER TO ARFA	29-Mar-11	48515	S.H
D	FERRULE, BARREL WERE CHANGED/RD-DA11072701J6	05-Aug-11	48694	S.H



RECOMMENDED  
CABLE STRIPPING DIM'S



SCALE 3.000



**CUSTOMER OUTLINE DRAWING**

ALL OTHER SHEETS ARE FOR INTERNAL USE ONLY

UNLESS OTHERWISE SPECIFIED, DIMENSIONS ARE IN METRIC AND TOLERANCES ARE: <math><0.5\text{mm}</math>   <math>0.5 - 6\text{mm}</math>   <math>6 - 30\text{mm}</math>   <math>30 - 120\text{mm}</math>   ANGLES $\pm 0.05\text{mm}$ $\pm 0.1\text{mm}$ $\pm 0.2\text{mm}$ $\pm 0.3\text{mm}$ $\pm 1^\circ$	MATERIAL	DRAWN JEROME	DATE 04-Aug-11	TITLE SMB RIGHT ANGLE PLUG CRIMP TYPE FOR RG-196/U NON MAGNETIC		Amphenol RF Danbury CT USA, Tainan, Taiwan, Shenzhen, China www.amphenolrf.com	
	REFERENCE	ENGINEER Geffery	DATE 16-Sep-06				
	FINISH	APPROVED S.H	DATE 04-Aug-11	SCALE: 7.0:1.0 SHEET 2 OF 2		ITEM NO. 903-NM291P-51A	
			CAD FILE I:\SMB\903-NM291P-51A		DWG SIZE B	REV D	PART NO. 903-NM291P-51A

NOTICE - These drawings, specifications, or other data (1) are, and remain the property of Amphenol corp. (2) must be returned upon request; and (3) are confidential and not to be disclosed to any person other than those to whom they are given by Amphenol Corp. the finishing of these drawings, specifications, or other data by Amphenol Corp., or to any other person for any purpose is not to be regarded by implication or otherwise in any manner licensing, granting rights to permitting such holder or any other person to manufacture, use or sell any product, process or design, patented or otherwise, that may in any way be related to or disclosed by said drawings, specifications, or other data.