

## Interface module - UM-D37M/DS/FU/DI120V/C3/R IM C - 2906189

Please be informed that the data shown in this PDF Document is generated from our Online Catalog. Please find the complete data in the user's documentation. Our General Terms of Use for Downloads are valid (<http://phoenixcontact.com/download>)




VARIOFACE 16-channel module intended for use with Honeywell Experion C300 high-voltage digital IOTA: CX-TDI110 & CX-TDI120. Right side version with conformal coating.

### Why buy this product

- ✔ These VARIOFACE modules are used in combination with the relevant front adapters
- ✔ Per channel pluggable 800 mA fusing
- ✔ UM-PRO housing
- ✔ Designed to be mounted on the right side of the cabinet
- ✔ DIN rail mounting
- ✔ Per channel selectable intermarshalling or externally powered
- ✔ LED blown fusing indication
- ✔ Includes conformal coating for component protection
- ✔ Per channel disconnects with test points



### Key Commercial Data

Packing unit	1 STK
GTIN	 4 055626 081243
GTIN	4055626081243

### Technical data

#### Dimensions

Width	120 mm
Height	142.3 mm
Depth	66.8 mm

#### Ambient conditions

Ambient temperature (operation)	-40 °C ... 70 °C
Ambient temperature (storage/transport)	-40 °C ... 75 °C

#### Connection data for connection 1

## Interface module - UM-D37M/DS/FU/DI120V/C3/R IM C - 2906189

### Technical data

#### Connection data for connection 1

Connection name	Field level
Connection method	Screw connection with disconnect
Stripping length	8 mm
Screw thread	M 3
Conductor cross section solid	0.2 mm <sup>2</sup> ... 4 mm <sup>2</sup>
Conductor cross section flexible	0.2 mm <sup>2</sup> ... 2.5 mm <sup>2</sup>
Conductor cross section AWG	24 ... 12

#### Connection data for connection 2

Connection name	Controller level
Connection method	D-SUB pin strip
Number of connections	1
Number of positions	37

#### Supported controller

Controller	HONEYWELL Experion PKS C300/C-Series
- suitable I/O card	TDI110 (non-redundant)
	TDI120 (redundant)

#### Standards and Regulations

Standards/regulations	DIN EN 50178
-----------------------	--------------

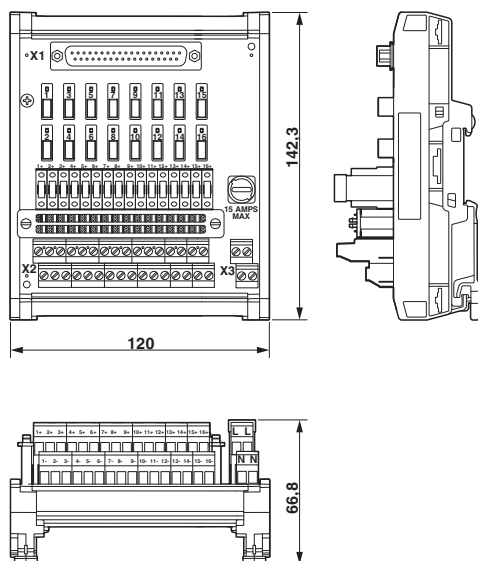
#### Environmental Product Compliance

China RoHS	Environmentally Friendly Use Period = 50
	For details about hazardous substances go to tab "Downloads", Category "Manufacturer's declaration"

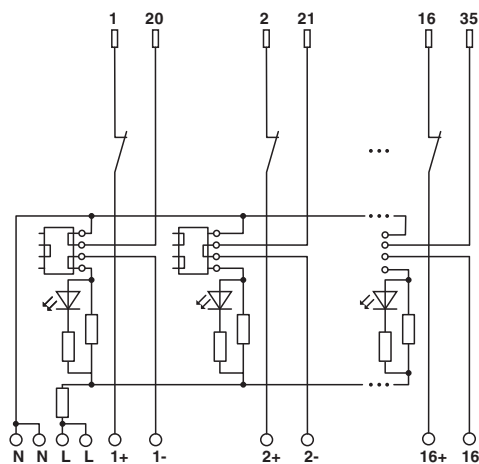
### Drawings

# Interface module - UM-D37M/DS/FU/DI120V/C3/R IM C - 2906189

Dimensional drawing



Circuit diagram



Channel 1 shows jumper in internal marshalling powered configuration.  
Channel 2 shows jumper in externally powered configuration.

## Approvals

Approvals

Approvals

UL Recognized / cUL Recognized / cULus Recognized

Ex Approvals

## Approval details

UL Recognized		<a href="http://database.ul.com/cgi-bin/XYV/template/LISEXT/1FRAME/index.htm">http://database.ul.com/cgi-bin/XYV/template/LISEXT/1FRAME/index.htm</a>	FILE E 238705
cUL Recognized		<a href="http://database.ul.com/cgi-bin/XYV/template/LISEXT/1FRAME/index.htm">http://database.ul.com/cgi-bin/XYV/template/LISEXT/1FRAME/index.htm</a>	FILE E 238705
cULus Recognized		<a href="http://database.ul.com/cgi-bin/XYV/template/LISEXT/1FRAME/index.htm">http://database.ul.com/cgi-bin/XYV/template/LISEXT/1FRAME/index.htm</a>	

Phoenix Contact 2018 © - all rights reserved  
<http://www.phoenixcontact.com>

PHOENIX CONTACT GmbH & Co. KG  
Flachmarktstr. 8  
32825 Blomberg  
Germany  
Tel. +49 5235 300  
Fax +49 5235 3 41200  
<http://www.phoenixcontact.com>