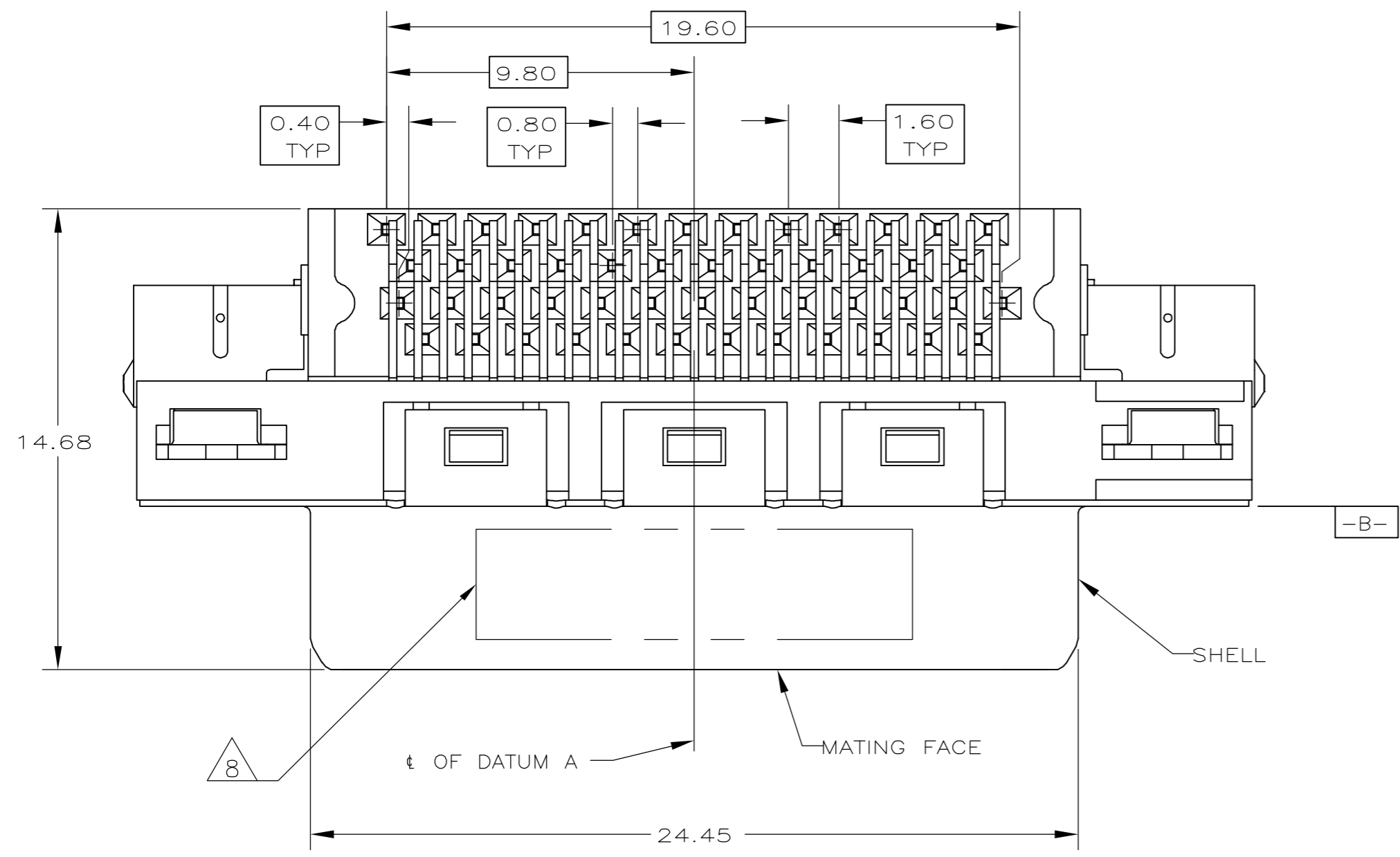
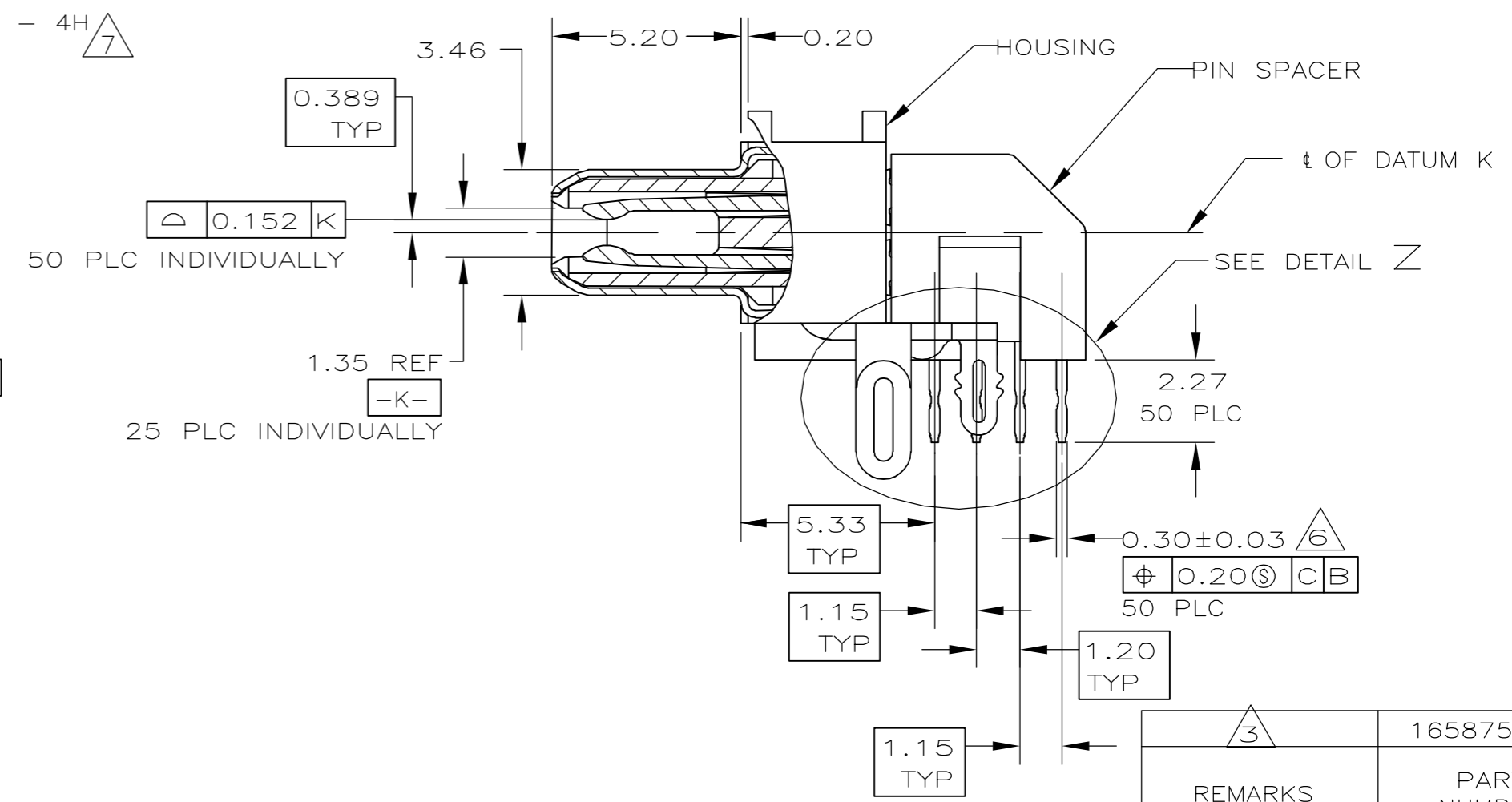
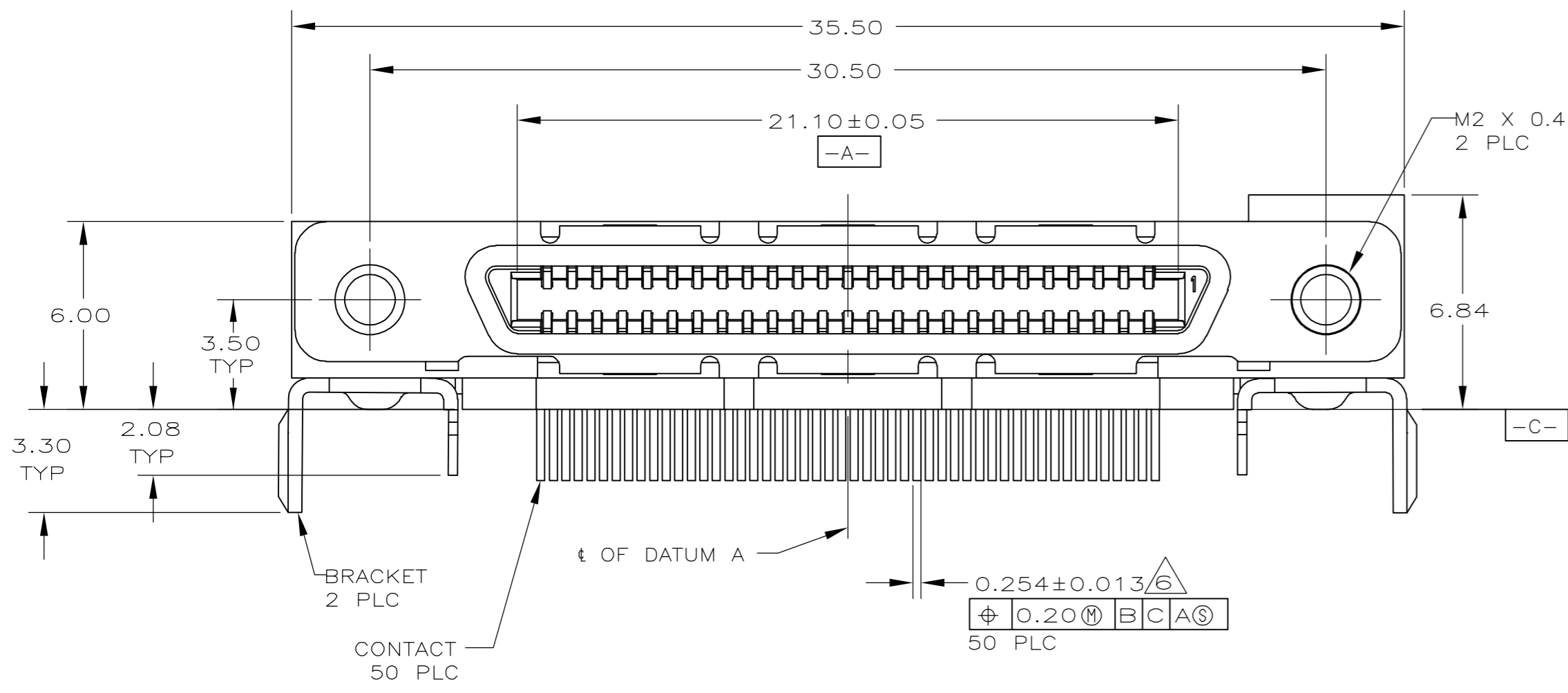


THIS DRAWING IS UNPUBLISHED. RELEASED FOR PUBLICATION
 © COPYRIGHT BY TYCO ELECTRONICS CORPORATION. ALL RIGHTS RESERVED.

LOC		DIST		REVISIONS			
P	LTR	DESCRIPTION		DATE	DWN	APVD	
GP	00	F		REVISED PER ECO-07-004221	30MAR07	JDP	EDB



- 1 HOUSING & PIN SPACER: THERMOPLASTIC, BLACK, UL 94V-0 RATED. SHELL: CARBON STEEL. CONTACTS: PHOSPHOR BRONZE. BRACKETS: STEEL.
- 2 SHELL: 5.08 μm MIN NICKEL OVER 2.54 μm MIN COPPER. CONTACTS: 0.76 μm MIN GOLD ON MATING END, 3.75 μm MIN TIN-LEAD ON SOLDER TAILS, BOTH OVER 1.27 μm MIN NICKEL ON ENTIRE CONTACT. BRACKETS: TIN PLATED.
- 3 CONTACTS DESIGNED FOR USE ON 1.60±0.15 THICK PC BOARD WITH PLATED THRU MOUNTING HOLES.
- 4 RECEPTACLE ASSEMBLY DESIGNED FOR USE WITH 1.12±0.08 THICK PANEL.
- 5 DATUMS AND DIMENSIONS ESTABLISHED BY CUSTOMER.
- 6 POSITION TOLERANCE APPLIES AT CONTACT TIP ONLY.
- 7 MAXIMUM TORQUE 0.45 N-M.
- 8 DATE CODE MARKED IN APPROXIMATE AREA SHOWN.

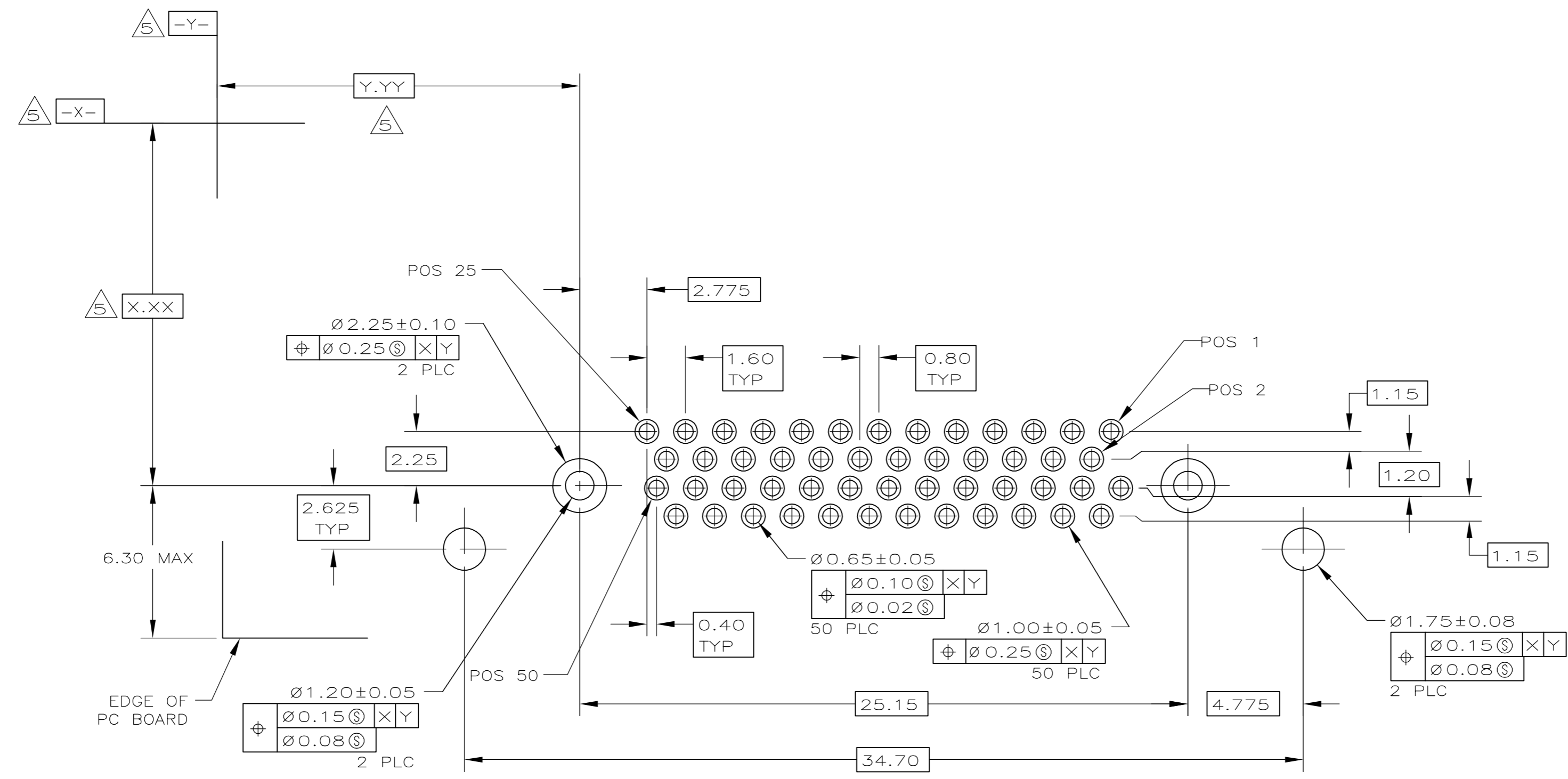


REMARKS	1658751-1
PART NUMBER	

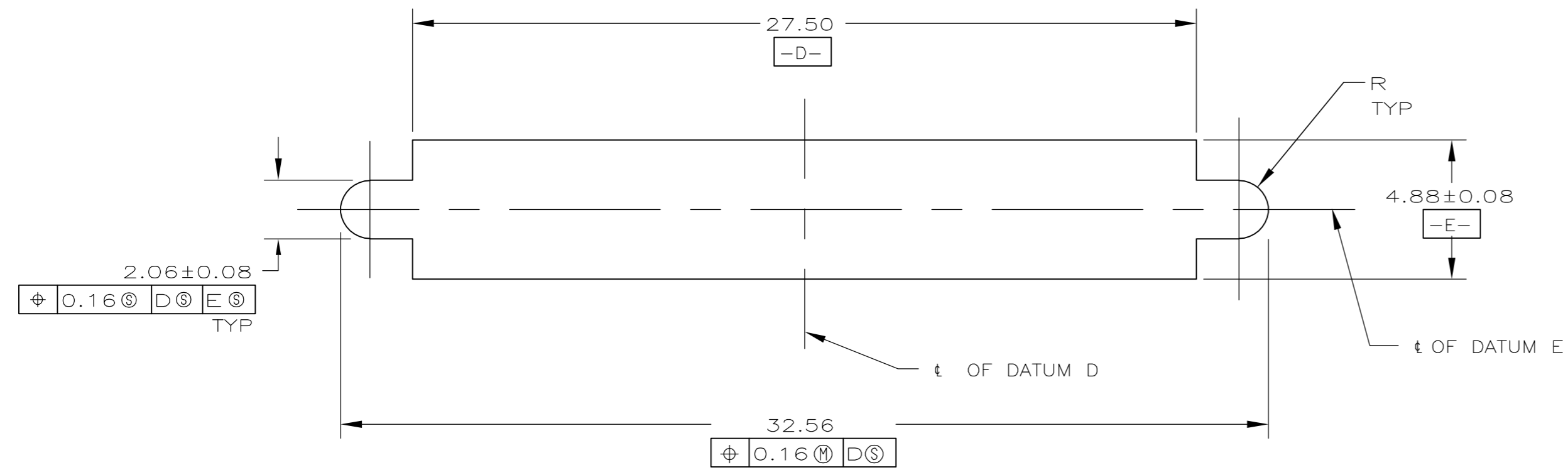
THIS DRAWING IS A CONTROLLED DOCUMENT.		DWN	T.SHUEY	09MAR05	Tyco Electronics Corporation Harrisburg, PA 17105-3608
DIMENSIONS: mm		CHK	J.GERACE	09MAR05	
TOLERANCES UNLESS OTHERWISE SPECIFIED:		APVD	M.WALMSLEY	09MAR05	
0 PLC ± - 1 PLC ± - 2 PLC ± 0.13 3 PLC ± - 4 PLC ± - ANGLES ± 1° FINISH		NAME	RECEPTACLE ASSEMBLY, 50 POSITION, SHIELDED, RIGHT ANGLE, CHAMP 0.8mm		
MATERIAL	1	WEIGHT	-	SIZE	A2
CUSTOMER DRAWING		SCALE	6:1	CAGE CODE	00779
		SHEET	1 of 2	DRAWING NO	C=1658751
		REV	F	RESTRICTED TO	-

THIS DRAWING IS UNPUBLISHED. RELEASED FOR PUBLICATION
 © COPYRIGHT BY TYCO ELECTRONICS CORPORATION. ALL RIGHTS RESERVED.

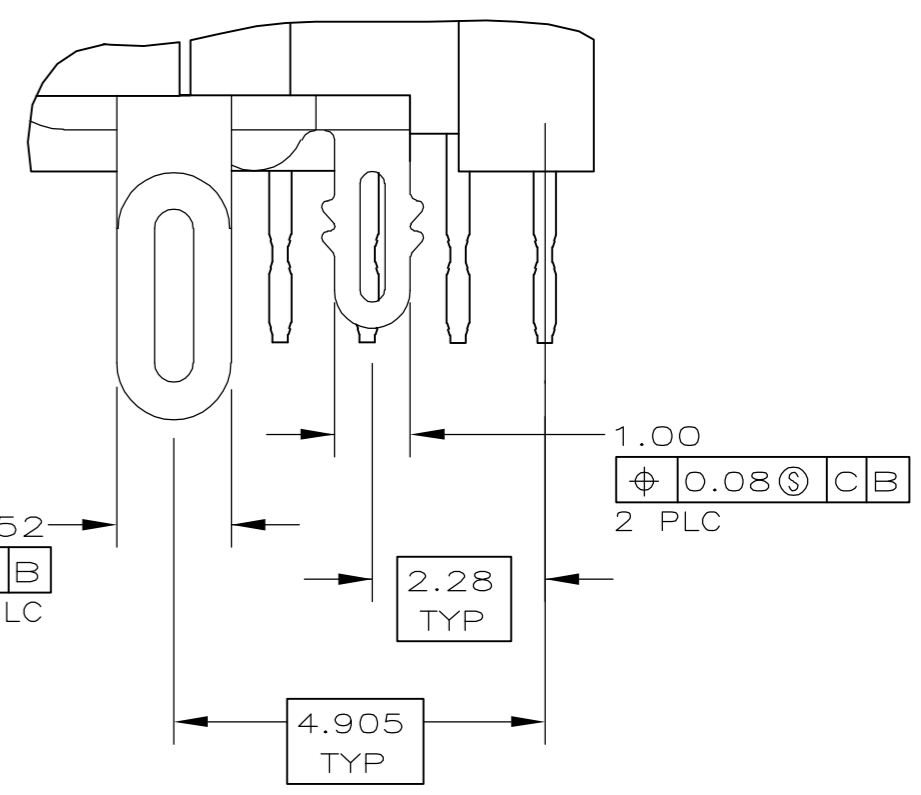
LOC	DIST	REVISIONS					
GP	00	P	LTR	DESCRIPTION	DATE	DWN	APVD
		-		SEE SHEET 1	-	-	-



PC BOARD MOUNTING DIMENSIONS $\Delta 3$



PANEL CUT-OUT DIMENSIONS $\Delta 4$



DETAIL Δ
SCALE 10:1

THIS DRAWING IS A CONTROLLED DOCUMENT.		DWN	T.SHUEY	09MAR05	 Tyco Electronics Corporation Harrisburg, PA 17105-3608	
DIMENSIONS:		CHK	J.GERACE	09MAR05		
mm		APVD	M.WALMSLEY	09MAR05		
TOLERANCES UNLESS OTHERWISE SPECIFIED:		PRODUCT SPEC				
0 PLC	± -	APPLICATION SPEC			NAME	RECEPTACLE ASSEMBLY, 50 POSITION, SHIELDED, RIGHT ANGLE, CHAMP 0.8mm
1 PLC	± -				SIZE	A2
2 PLC	± 0.13				CAGE CODE	00779
3 PLC	± -				DRAWING NO	C=1658751
4 PLC	± -				RESTRICTED TO	-
ANGLES	± 1°				SCALE	6:1
MATERIAL		FINISH			SHEET	2 of 2
					REV	F
CUSTOMER DRAWING		WEIGHT		-		

1658751