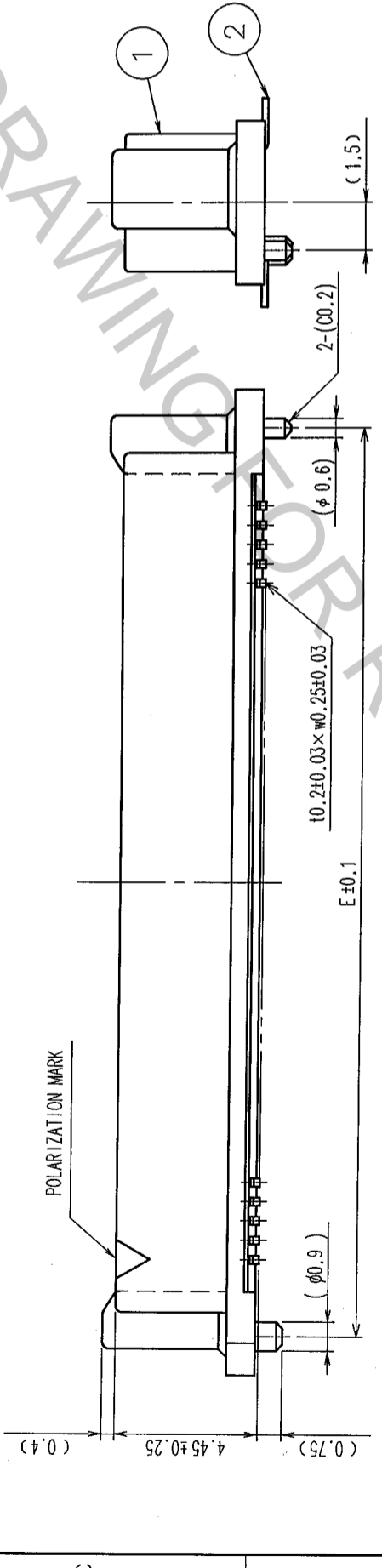
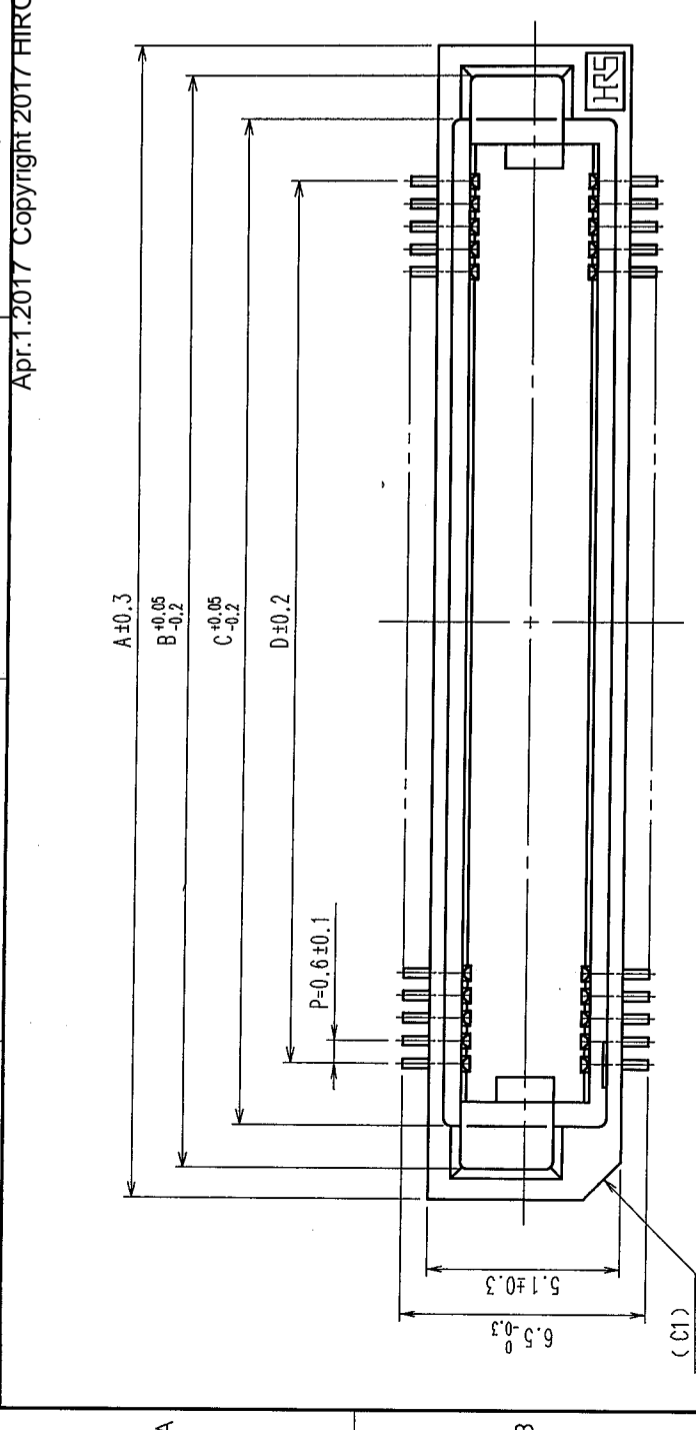
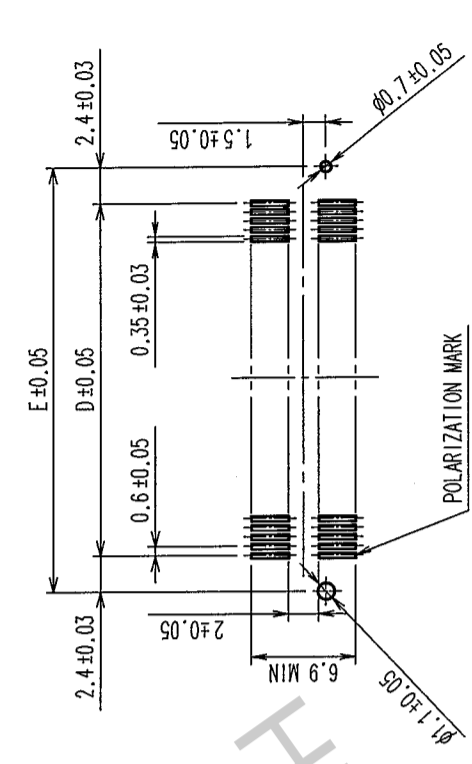


COUNT	DESCRIPTION OF REVISIONS	BY	CHKD	DATE	COUNT	DESCRIPTION OF REVISIONS	BY	CHKD	DATE
3	RE-F-09671	K.N	H.Y	04.04.08					
1	RE-F-10252	K.D	H.O	04.12.06					

COUNT	DESCRIPTION OF REVISIONS	BY	CHKD	DATE	COUNT	DESCRIPTION OF REVISIONS	BY	CHKD	DATE
3	RE-F-09671	K.N	H.Y	04.04.08					
1	RE-F-10252	K.D	H.O	04.12.06					

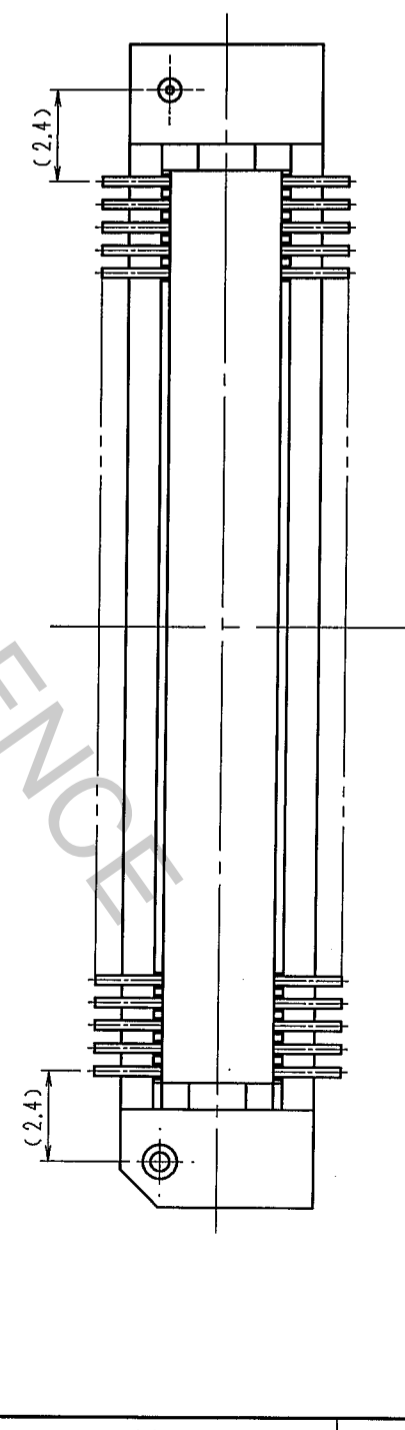
RECOMMENDED LAND PATTERN DIMENSION OF P.C.B. (MOUNTING SIDE)



DIMENSION TABLE OF CONNECTOR AND P.C.B. LAND PATTERN.

PART No.	CODE No.	A	B	C	D	E
FX8C-60P-SV(92)	CL578-0501-9-92	60	24.60	23.00	20.70	17.40
FX8C-80P-SV(92)	CL578-0503-4-92	80	30.60	29.00	26.70	23.40
FX8C-100P-SV(92)	CL578-0505-0-92	100	36.60	35.00	32.70	29.40
FX8C-120P-SV(92)	CL578-0506-2-92	120	42.60	41.00	38.70	35.40
FX8C-140P-SV(92)	CL578-0507-5-92	140	48.60	47.00	44.70	41.40

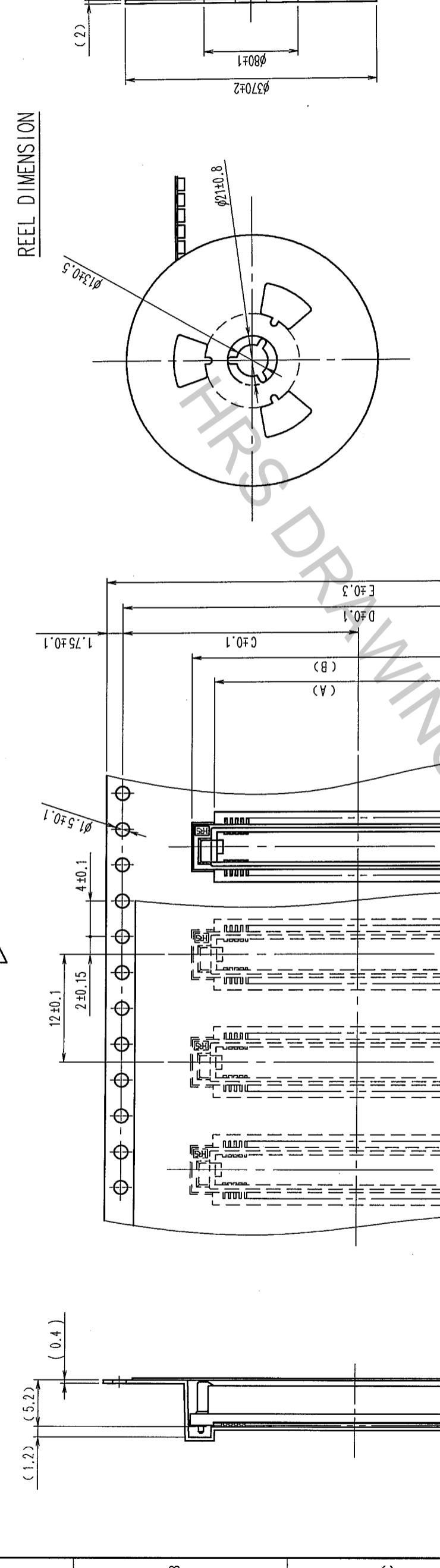
- NOTE 1. LEAD CO-PLANARITY SHALL BE 0.1mm MAX.
 2. EMBOSSED CARRIER TAPE PACKAGING SHALL BE APPLIED FOR THIS PRODUCT.
 SEE NEXT PAGE FOR DETAILS.
 3. FOR MODIFICATION, ETC., PREVENTIVE HOLE FOR SINK MARK MAY BE ADDED ACCORDING TO CIRCUMSTANCES.
 4. THE DIMENSIONS IN PARENTHESES ARE FOR REFERENCE.
 [5] NUMBER OF CONTACTS.



NO.	MATERIAL	FINISH, REMARKS	NO.	MATERIAL	DESIGNED	CHECKED	APPROVED	RELEASED
1	POLYPHENYLENE SULFIDE	LIGHT BROWN (UL94V-0)	2	PHOSPHOR BRONZE	K. NAKAMURA	H. OKAWA	Y. YOSHIMURA	
CODE NO. (OLD)		CL	DRAWN		S. SUZUKI			
SCALE		FREE	DATE		03.02.03			
UNITS		mm	PART NO.		FX8C-**-P-SV(92)			
DRAWING NO.		EDC3-151020-22		CODE NO.		CL578		

TO	
PCK	

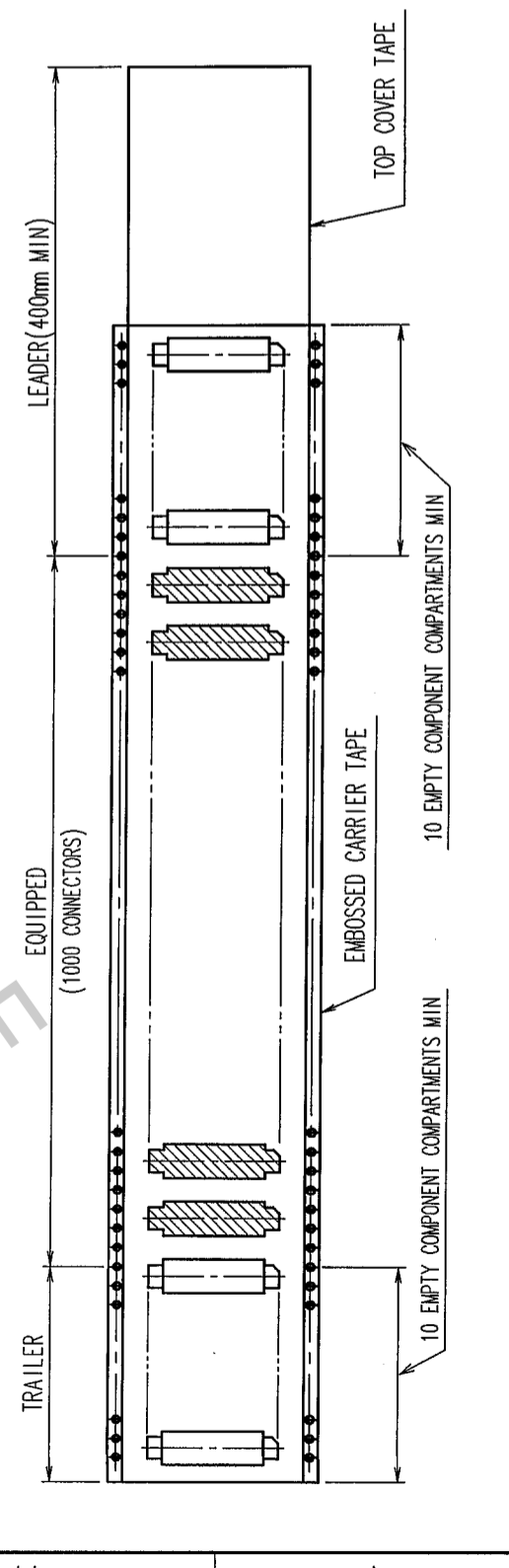
COUNT	DESCRIPTION OF REVISIONS	BY	CHKD	DATE	COUNT	DESCRIPTION OF REVISIONS	BY	CHKD	DATE



△DIMENSION TABLE OF EMBOSSED CARRIER TAPE AND REEL.

PART No.	CODE No.	2	A	B	C	D	E	F
FX8C-60P-SV(92)	CL578-0501-9-92	60	20	25	20.2	40.4	44	44.4
FX8C-80P-SV(92)	CL578-0503-4-92	80	26	31	20.2	40.4	44	44.4
FX8C-100P-SV(92)	CL578-0505-0-92	100	32	37	26.2	52.4	56	56.4
FX8C-120P-SV(92)	CL578-0506-2-92	120	38	43	26.2	52.4	56	56.4
FX8C-140P-SV(92)	CL578-0507-5-92	140	44	49	34.2	68.4	72	72.4

NOTE 1 1 REEL : 1000 CONNECTORS
 2 NUMBER OF CONTACTS
 3 THE DIMENSIONS IN PARENTHESES ARE FOR REFERENCE.



2	POLYESTER	(TOP COVER TAPE)								
1	POLYSTYRENE	(EMBOSSED CARRIER TAPE)	3							(CONNECTOR)
NO.	MATERIAL	FINISH, REMARKS	NO.	MATERIAL	CHECKED	DESIGNED	DRAWN	APPROVED	RELEASED	REMARKS
CL	CL				H. OKAWA	K. NAKAMURA	S. SUZUKI	Y. YOSHIMURA		
					03.02.14	03.02.12	03.02.03	03.02.15		
DRAWING NO.		PART NO.		FINISH, REMARKS						
FREE		EDC3-151020-22		FX8C-**P-SV(92)						
SCALE										
UNITS		MM								
				CODE NO.						
				CL578						
				HIROSE ELECTRIC CO., LTD						

TO
PCK