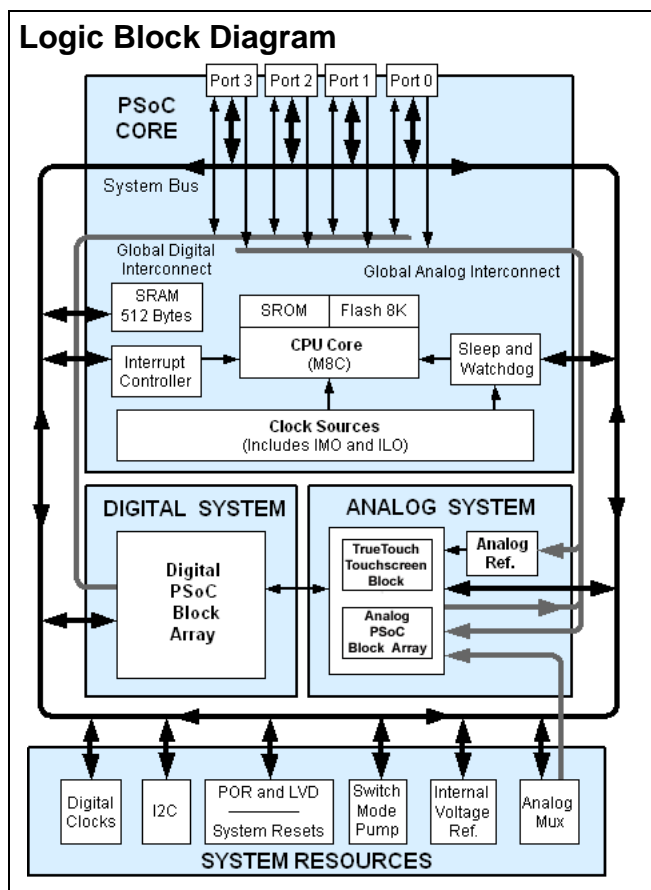


TrueTouch™ Multi-Touch Gesture Touchscreen Controller

Features

- TrueTouch™ Capacitive Touchscreen Controller
 - Supports Single-Touch and Multi-Touch Applications
 - Supports up to 24 X/Y Sensor Inputs
 - Supports Screen Sizes 4.3" and Below (Typical)
 - Fast Scan Rates: Typical 0.5 ms per Sensor
 - High Resolution: Typical 320 x 240 for 2.6" Screen
 - Available in 32-Pin QFN Package
- Highly Configurable Sensing Circuitry
 - Allows Maximum Design Flexibility
 - Allows Trade-Off Between Scan Time and Noise Performance
- Includes Gesture Detection Library
- Allows Development of Customized Gestures
- Provides Maximum EMI Immunity
 - Selectable Spread-Spectrum Clock Source
- Low Power TrueTouch Single-Touch Touchscreen Device
 - 4 mA Average Supply Current at 8 ms Report Rate
 - 2 mA Average Supply Current at 16 ms Report Rate
- Powerful Harvard Architecture Processor
 - M8C Processor Speeds to 24 MHz
 - Low Power at High Speed
 - 2.7V to 5.25V Operating Voltage
 - Industrial Temperature Range: -40°C to +85°C
- Flexible On-Chip Memory
 - 8K Flash Program Storage, 50000 Erase/Write Cycles
 - 512 Bytes SRAM Data Storage
 - In-System Serial Programming (ISSP™)
 - Partial Flash Updates
 - Flexible Protection Modes
 - EEPROM Emulation in Flash
- Complete Development Tools
 - Free Development Software (PSoC Designer™)
 - TrueTouch Touchscreen Tuner
 - Full-Featured, In-Circuit Emulator and Programmer
 - Full Speed Emulation
 - Complex Breakpoint Structure
 - 128K Trace Memory
- Precision, Programmable Clocking
 - Internal ±2.5% 24 and 48 MHz Oscillator
 - Internal Oscillator for Watchdog and Sleep
- Programmable Pin Configurations
 - 25 mA Sink, 10 mA Drive on All GPIO
 - Pull Up, Pull Down, High Z, Strong, or Open Drain Drive Modes on All GPIO
 - Up to 8 Analog Inputs on GPIO
 - Configurable Interrupt on All GPIO
- Additional System Resources
 - I²C™ Master, Slave, and Multi-Master to 400 kHz
 - Watchdog and Sleep Timers
 - User-Configurable Low Voltage Detection
 - Integrated Supervisory Circuit
 - On-Chip Precision Voltage Reference



TrueTouch Functional Overview

The TrueTouch family provides the fastest and most efficient way to develop and tune a capacitive touchscreen application. A TrueTouch device includes the configurable TrueTouch block, configurable analog and digital logic, and programmable interconnect. This architecture enables the user to create flexible, customized touchscreen configurations to match the requirements of each individual touchscreen application. Various configurations of Flash program memory, SRAM data memory, and configurable IO are included in a range of convenient pinouts.

The TrueTouch architecture consists of four main areas: the Core, the System Resources, the Digital System, and the TrueTouch Analog System. Configurable global bus resources allow combining all the device resources into a complete custom touchscreen system. Each CY8TMG110 TrueTouch device includes four digital blocks and the TrueTouch controller block. The CY8CTMG110 is offered in a 32-pin QFN package, with up to 28 general purpose IO (GPIO), and support of up to 24 X/Y sensors.

When designing touchscreen applications, refer to the UM data sheet for performance requirements to meet and detailed design process explanation.

The TrueTouch Core

The core encompasses SRAM for data storage, an interrupt controller, sleep and watchdog timers, and IMO (Internal Main Oscillator) and ILO (Internal Low speed Oscillator). The CPU core, called the M8C, is a powerful processor with speeds up to 24 MHz. The M8C is a four MIPS 8-bit Harvard architecture microprocessor.

System Resources provide the following additional capabilities:

- Digital clocks to increase the flexibility of the PSoC mixed-signal arrays.
- I2C functionality to implement an I2C master and slave.
- An internal voltage reference, MultiMaster, that provides an absolute value of 1.3V to a number of TrueTouch subsystems.
- Various system resets supported by the M8C.

The Digital System consists of an array of digital blocks that may be configured into any number of digital peripherals. The digital blocks are connected to the GPIO through a series of global buses that can route any signal to any pin, freeing designs from the constraints of a fixed peripheral controller.

The Analog System consists of four analog blocks, supporting comparators and analog-to-digital conversion up to 8 bits in precision.

Implementation of touchscreen applications allows additional digital and analog resources to be used, depending on the touchscreen design.

The Digital System

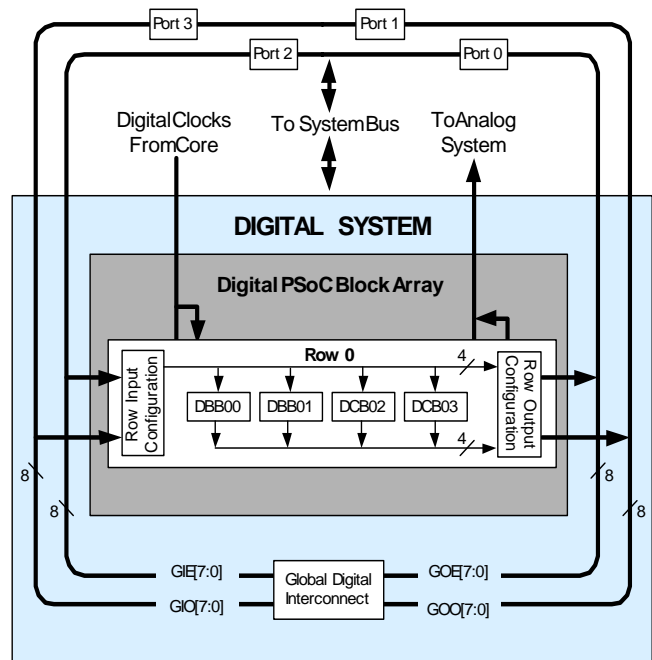
The Digital System consists of 4 digital PSoC blocks. Each block is an 8-bit resource that is used alone or combined with other blocks to form 8, 16, 24, and 32-bit peripherals, which are called user module references. Digital peripheral configurations include the following.

- PWMs (8 to 32 bit)
- PWMs with Dead band (8 to 32 bit)
- Counters (8 to 32 bit)
- Timers (8 to 32 bit)
- UART 8 bit with selectable parity
- SPI master and slave
- I2C slave and multi-master
- Pseudo Random Sequence Generators (8 to 32 bit)

The digital blocks are connected to any GPIO through a series of global buses that can route any signal to any pin. The buses also allow signal multiplexing and performing logic operations. This configurability frees your designs from the constraints of a fixed peripheral controller.

Digital blocks are provided in rows of four, where the number of blocks varies by PSoC device family. This allows the optimum choice of system resources for your application. Family characteristics are shown in Table 1 on page 4.

Figure 1. Digital System Block Diagram

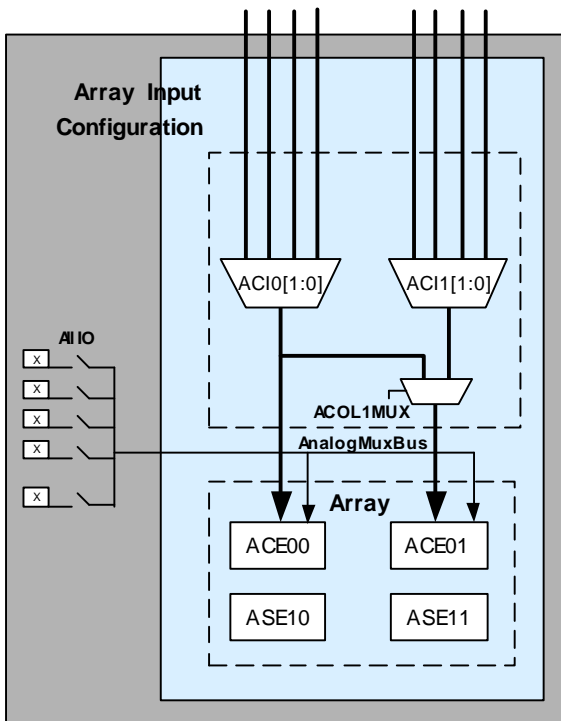


The Analog System

The Analog System consists of 4 configurable blocks that allow the creation of complex analog signal flows. Analog peripherals are very flexible and may be customized to support specific application requirements. Some of the common PSoC analog functions for this device (most available as user modules) are:

- Analog-to-digital converters (single or dual, with 8-bit resolution)
- Pin-to-pin comparator
- Single-ended comparators (up to 2) with absolute (1.3V) reference or 8-bit DAC reference
- 1.3V reference (as a System Resource)

Figure 2. Analog System Block Diagram



The Analog Multiplexer System

The Analog Mux Bus connects to every GPIO pin. Pins are connected to the bus individually or in any combination. The bus also connects to the analog system for capacitive sensing with the TrueTouch block comparator. An additional 8:1 analog input multiplexer provides a second path to bring Port 0 pins to the analog array.

Switch control logic enables selected pins to switch dynamically under hardware control. This allows capacitive measurement for the touchscreen application. Other multiplexer applications include:

- Chip-wide mux that allows analog input from any IO pin.
- Electrical connection between any IO pin combinations.

Additional System Resources

System Resources, some of which are listed in the previous sections, provide additional capability useful to complete systems. Additional resources include low voltage detection and power on reset. Brief statements describing the merits of each system resource follow.

- Digital clock dividers provide three customizable clock frequencies for use in applications. The clocks may be routed to both the digital and analog systems. Additional clocks can be generated using digital PSoC blocks as clock dividers.
- The I2C module provides 100 and 400 kHz communication over two wires. Slave, master, and multi-master modes are all supported.
- Low Voltage Detection (LVD) interrupts can signal the application of falling voltage levels, while the advanced POR (Power On Reset) circuit eliminates the need for a system supervisor.
- An internal 1.3 voltage reference provides an absolute reference for the analog system, including ADCs and DACs.
- Versatile analog multiplexer system.

Getting Started

To understand the TrueTouch device, read this data sheet and use the PSoC Designer™ Integrated Development Environment (IDE). This data sheet is an overview of the general silicon information and electrical specifications. For in depth touchscreen application information, including touchscreen specific specifications, read the touchscreen user module data sheet that is supported by this specific device.

TrueTouch Device Characteristics

Depending on your TrueTouch device selected for a touchscreen application, characteristics and capabilities of each device changes. Table 1 lists the touchscreen sensing capabilities available for specific TrueTouch devices. The TrueTouch device covered by this data sheet is highlighted in this table.

Table 1. TrueTouch Device Characteristics

| TrueTouch Part Number | Sensor Inputs | Max Screen Size (Inches) | Single-Touch | Multi-Touch Gesture | Multi-Touch All-Point | Scan Speed (ms) ^[1] | Current Consumption ^[2] | Flash Size | SRAM Size |
|-----------------------|---------------|--------------------------|--------------|---------------------|-----------------------|--------------------------------|------------------------------------|------------|-----------|
| CY8CTST110 | up to 24 | 4.3" | Y | N | N | 0.5 | 3 | 8K | 512 Bytes |
| CY8CTST120 | up to 44 | 8.4" | Y | N | N | 0.5 | 16 | 16K | 1K |
| CY8CTMG110 | up to 24 | 4.3" | Y | Y | N | 0.5 | 3 | 8K | 512 Bytes |
| CY8CTMG120 | up to 44 | 8.4 | Y | Y | N | 0.5 | 16 | 16K | 1K |
| CY8CTMA120 | up to 37 | 7.3" | Y | Y | Y | 0.12 | 16 | 16K | 1K |

Notes

1. Per sensor typical. Depends on touchscreen panel. For MA120 per X/Y crossing Vcc = 3.3V.
2. Average mA supply current. Based on 8 ms report rate, except for MA120.

Development Kits

Development Kits are available from the following distributors: Digi-Key, Avnet, Arrow, and Future. The Cypress Online Store contains development kits, C compilers, and all accessories for PSoC development. Go to the Cypress Online Store web site at <http://www.cypress.com>, click the Online Store shopping cart icon at the bottom of the web page, and click *PSoC (Programmable System-on-Chip)* to view a current list of available items.

Technical Training Modules

Free PSoC technical training modules are available for users new to PSoC. Training modules cover designing, debugging, advanced analog, and CapSense. Go to <http://www.cypress.com/training>.

Consultants

Certified PSoC Consultants offer everything from technical assistance to completed PSoC designs. To contact or become a PSoC Consultant go to <http://www.cypress.com>, click on Design Support located on the left side of the web page, and select CYPros Consultants.

Technical Support

PSoC application engineers take pride in fast and accurate response. They are available with a four hour guaranteed response at <http://www.cypress.com/support>.

Application Notes

A long list of application notes can assist you in every aspect of your design effort. To view the PSoC application notes, go to the <http://www.cypress.com> web site and select Application Notes under the Design Resources list located in the center of the web page. Application notes are sorted by date by default.

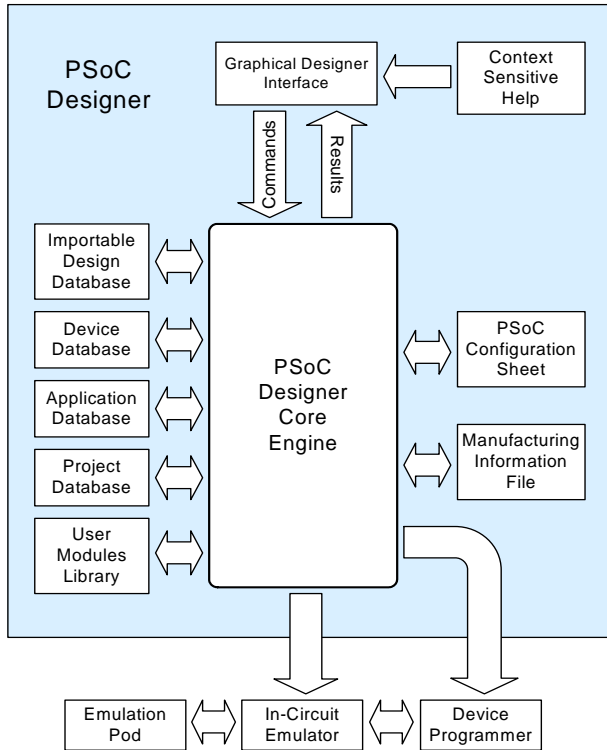
Development Tools

PSoC Designer is a Microsoft® Windows based, integrated development environment for the Programmable System-on-Chip (PSoC) devices. The PSoC Designer IDE and application runs on Windows NT 4.0, Windows 2000, Windows Millennium (Me), or Windows XP (see Figure 3 on page 5).

PSoC Designer helps the customer to select an operating configuration for the PSoC, write application code that uses the PSoC, and debug the application. This system provides design database management by project, an integrated debugger with In-Circuit Emulator, in-system programming support, and the CYASM macro assembler for the CPUs.

PSoC Designer also supports a high level C language compiler developed specifically for the devices in the family.

Figure 3. PSoC Designer Subsystems



TrueTouch Designer Software Subsystems

Device Editor

The device editor subsystem enables the user to select different onboard analog and digital components called user modules using the PSoC blocks. Examples of user modules are ADCs, DACs, Amplifiers, and Filters.

The device editor also supports easy development of multiple configurations and dynamic reconfiguration. Dynamic reconfiguration allows changing configurations at run time.

PSoC Designer sets up power on initialization tables for selected PSoC block configurations and creates source code for an application framework. The framework contains software to operate the selected components. If the project uses more than one operating configuration, then it contains routines to switch between different sets of PSoC block configurations at run time. PSoC Designer prints out a configuration sheet for a given project configuration for use during application programming in conjunction with the device data sheet. After the framework is generated, the user adds application-specific code to flesh out the framework. It is also possible to change the selected components and regenerate the framework.

Design Browser

The Design Browser enables users to select and import preconfigured designs into the user’s project. Users can easily browse a catalog of preconfigured designs to facilitate time-to-design. Examples provided in the tools include a

300-baud modem, LIN Bus master and slave, fan controller, and magnetic card reader.

Application Editor

The Application Editor edits the C language and assembly language source code. It also assembles, compiles, links, and builds.

Assembler. The macro assembler allows the seamless merging of the assembly code with C code. The link libraries automatically use absolute addressing or are compiled in relative mode, and linked with other software modules to get absolute addressing.

C Language Compiler. A C language compiler that supports the PSoC family of devices is available. Even if you have never worked in the C language before, the product quickly helps you create complete C programs for the PSoC family devices.

The embedded, optimizing C compiler provides all the features of C tailored to the PSoC architecture. It comes complete with embedded libraries providing port and bus operations, standard keypad and display support, and extended math functionality.

Debugger

The PSoC Designer Debugger subsystem provides hardware in-circuit emulation, allowing the designer to test the program in a physical system while providing an internal view of the PSoC device. Debugger commands allow the designer to read the program and read and write data memory, read and write IO registers, read and write CPU registers, set and clear breakpoints, and provide program run, halt, and step control. The debugger also allows the designer to create a trace buffer of registers and memory locations of interest.

Online Help System

The online help system displays online, context-sensitive help for the user. Designed for procedural and quick reference, each functional subsystem has its own context-sensitive help. This system also provides tutorials and links to FAQs and an Online Support Forum to aid the designer in getting started.

Hardware Tools

In-Circuit Emulator

A low cost, high functionality ICE (In-Circuit Emulator) is available for development support. This hardware has the capability to program single devices.

The emulator consists of a base unit that connects to the PC by way of a USB port. The base unit is universal and operates with all PSoC devices. Emulation pods for each device family are available separately. The emulation pod takes the place of the PSoC device in the target board and performs full speed (24 MHz) operation.

TrueTouch Touchscreen Tuner

The TrueTouch tuner is a Microsoft® Windows based graphical user interface allowing developers to set critical parameters and observe changes to the touchscreen application in real time. Optimal configuration from the tuner can be immediately applied to the TrueTouch user module settings.

Designing with User Modules

The development process for the PSoC device differs from that of a traditional fixed function microprocessor. The configurable analog and digital hardware blocks give the PSoC architecture a unique flexibility that pays dividends in managing specification change during development and by lowering inventory costs. These configurable resources, called PSoC blocks. They implement a wide variety of user selectable functions. Each block has several registers that determine its function and connectivity to other blocks, multiplexers, buses and to the IO pins. Iterative development cycles permit you to adapt the hardware and the software. This substantially lowers the risk of selecting a different part to meet the final design requirements.

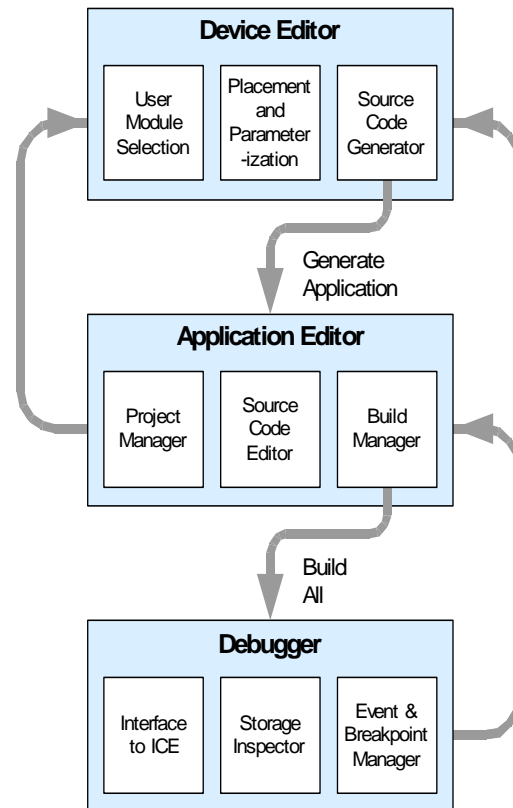
To speed the development process, the PSoC Designer IDE provides a library of pre-built, pre-tested hardware peripheral functions, called "User Modules." User modules make selecting and implementing peripheral devices simple. They come in analog, digital, and mixed signal varieties. The standard user module library contains over 50 common peripherals such as ADCs, DACs, timers, counters, UARTs, and other uncommon peripherals, such as DTMF Generators and Bi-Quad analog filter sections.

Each user module establishes the basic register settings to implement the selected function. It also provides parameters that allow you to tailor its precise configuration to a particular application. For example, a Pulse Width Modulator User Module configures one or more digital PSoC blocks, one for each 8 bits of resolution. The user module parameters permit to establish the pulse width and duty cycle. User modules also provide tested software to cut your development time. The user module application programming interface (API) provides high level functions to control and respond to hardware events at run time. The API also provides optional interrupt service routines to adapt as needed.

The API functions are documented in user module data sheets that are viewed directly in the PSoC Designer IDE. These data sheets explain the internal operation of the user module and provide performance specifications. Each data sheet describes the use of each user module parameter and documents the setting of each register controlled by the user module.

The development process starts when you open a new project and bring up the Device Editor, a graphical user interface (GUI) for configuring the hardware. Select the user modules you need for your project and map them onto the PSoC blocks with point-and-click simplicity. Next, you build signal chains by inter-connecting user modules to each other and the IO pins. At this stage, also configure the clock source connections and enter parameter values directly or by selecting values from drop down menus. When you are ready to test the hardware configuration or move on to developing code for the project, perform the "Generate Application" step. This causes PSoC Designer to generate source code that automatically configures the device to your specification and provides the high level user module API functions.

Figure 4. User Module and Source Code Development Flows



The next step is to write your main program, and any sub-routines using PSoC Designer's Application Editor subsystem. The Application Editor includes a Project Manager that allows you to open the project source code files (including all generated code files) from a hierarchal view. The source code editor provides syntax coloring and advanced edit features for both C and assembly language. File search capabilities include simple string searches and recursive "grep-style" patterns. A single mouse click invokes the Build Manager. It employs a professional-strength "makefile" system to automatically analyze all file dependencies and run the compiler and assembler as necessary. Project-level options control optimization strategies used by the compiler and linker. Syntax errors are displayed in a console window. Double click the error message to show the offending line of source code. When all is correct, the linker builds a HEX file image suitable for programming.

The last step in the development process takes place inside the PSoC Designer's Debugger subsystem. The Debugger downloads the HEX image to the In-Circuit Emulator (ICE) where it runs at full speed. Debugger capabilities rival those of systems costing many times more. In addition to traditional single-step, run-to-breakpoint and watch-variable features, the Debugger provides a large trace buffer. This enables to define complex breakpoint events such as monitoring address and data bus values, memory locations, and external signals.

Document Conventions

Acronyms Used

The following table lists the acronyms that are used in this document.

| Acronym | Description |
|---------|---|
| AC | alternating current |
| ADC | analog-to-digital converter |
| API | application programming interface |
| CPU | central processing unit |
| CT | continuous time |
| DAC | digital-to-analog converter |
| DC | direct current |
| ECO | external crystal oscillator |
| EEPROM | electrically erasable programmable read-only memory |
| FSR | full scale range |
| GPIO | general purpose IO |
| GUI | graphical user interface |
| HBM | human body model |
| ICE | in-circuit emulator |
| ILO | internal low speed oscillator |
| IMO | internal main oscillator |
| IO | input/output |
| IPOR | imprecise power on reset |
| LSb | least-significant bit |
| LVD | low voltage detect |
| MSb | most-significant bit |
| PC | program counter |
| PLL | phase-locked loop |
| POR | power on reset |
| PPOR | precision power on reset |
| PSoC® | Programmable System-on-Chip™ |
| PWM | pulse width modulator |
| SC | switched capacitor |
| SLIMO | slow IMO |
| SMP | switch mode pump |
| SRAM | static random access memory |

Units of Measure

A units of measure table is located in the Electrical Specifications section. [Table 4](#) on page 12 lists all the abbreviations used to measure the PSoC devices.

Numeric Naming

Hexadecimal numbers are represented with all letters in uppercase with an appended lowercase 'h' (for example, '14h' or '3Ah'). Hexadecimal numbers are also represented by a '0x' prefix, the C coding convention. Binary numbers have an appended lowercase 'b' (for example, '01010100b' or '01000011b'). Numbers not indicated by an 'h', 'b', or 0x are decimal.

Pinouts

The CY8CTMG110 TrueTouch device is available in a 32-pin QFN package which is listed in the following tables. Every port pin (labeled with a “P”) is capable of Digital IO and connection to the common analog bus. However, Vss, Vdd, SMP, and XRES are not capable of Digital IO.

32-Pin Part Pinout

Figure 5. CY8CTMG110 32-Pin Sawn TrueTouch Device

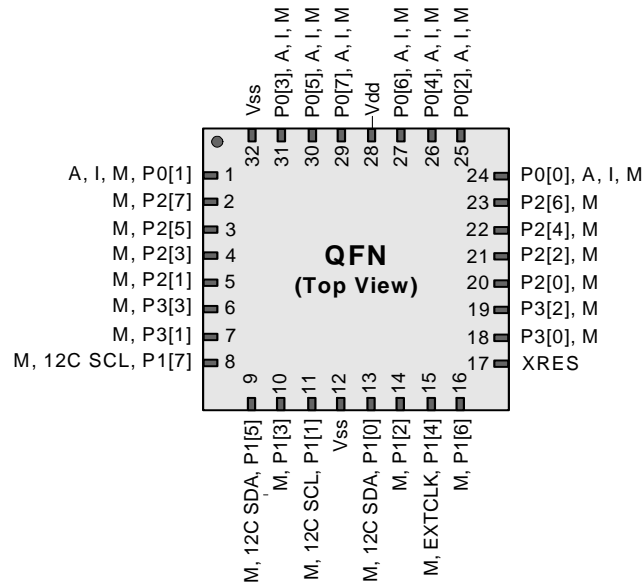


Table 2. Pin Definitions - CY8CTMG110 32-Pin (QFN)

| Pin No. | Type | | Name | Description |
|---------|---------|--------|-------|---|
| | Digital | Analog | | |
| 1 | IO | I, M | P0[1] | Analog column mux input. |
| 2 | IO | M | P2[7] | |
| 3 | IO | M | P2[5] | |
| 4 | IO | M | P2[3] | |
| 5 | IO | M | P2[1] | |
| 6 | IO | M | P3[3] | |
| 7 | IO | M | P3[1] | |
| 8 | IO | M | P1[7] | I2C Serial Clock (SCL). |
| 9 | IO | M | P1[5] | I2C Serial Data (SDA). |
| 10 | IO | M | P1[3] | |
| 11 | IO | M | P1[1] | I2C Serial Clock (SCL), ISSP-SCLK ^[3] . |
| 12 | Power | | Vss | Ground. Connect to circuit ground. |
| 13 | IO | M | P1[0] | I2C Serial Data (SDA), ISSP-SDATA ^[3] . |
| 14 | IO | M | P1[2] | |
| 15 | IO | M | P1[4] | Optional External Clock Input (EXTCLK). |
| 16 | IO | M | P1[6] | |
| 17 | Input | | XRES | Active high external reset with internal pull down. |
| 18 | IO | M | P3[0] | |
| 19 | IO | M | P3[2] | |

Table 2. Pin Definitions - CY8CTMG110 32-Pin (QFN) (continued)

| Pin No. | Type | | Name | Description |
|---------|---------|--------|-------|---|
| | Digital | Analog | | |
| 20 | IO | M | P2[0] | |
| 21 | IO | M | P2[2] | |
| 22 | IO | M | P2[4] | |
| 23 | IO | M | P2[6] | |
| 24 | IO | I, M | P0[0] | Analog column mux input. |
| 25 | IO | I, M | P0[2] | Analog column mux input. |
| 26 | IO | I, M | P0[4] | Analog column mux input. |
| 27 | IO | I, M | P0[6] | Analog column mux input. |
| 28 | Power | | Vdd | Supply voltage. Bypass to ground with 0.1 uF capacitor. |
| 29 | IO | I, M | P0[7] | Analog column mux input. |
| 30 | IO | I, M | P0[5] | Analog column mux input. |
| 31 | IO | I, M | P0[3] | Analog column mux input. |
| 32 | Power | | Vss | Ground. Connect to circuit ground. |
| EP | Power | | Vss | Exposed pad is internally connected to ground. Connect to circuit ground. |

LEGEND A = Analog, I = Input, O = Output, and M = Analog Mux Input.

Note

3. These are the ISSP pins, that are not High Z at POR (Power On Reset). See the *PSoC Mixed Signal Array Technical Reference Manual* for details.

56-Pin Part Pinout

The 56-pin SSOP part is for the CY8CTMG110 On-Chip Debug (OCD) TrueTouch device.

Note This part is only used for in-circuit debugging. It is NOT available for production.

Figure 6. CY8CTMG110 56-Pin TrueTouch Device

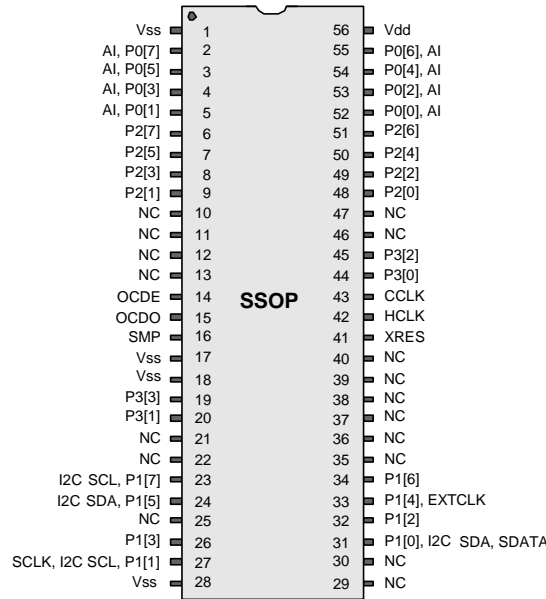


Table 3. Pin Definitions - CY8CTMG110 56-Pin (SSOP)

| Pin No. | Type | | Pin Name | Description |
|---------|---------|--------|----------|--|
| | Digital | Analog | | |
| 1 | Power | | Vss | Ground. Connect to circuit ground. |
| 2 | IO | I | P0[7] | Analog column mux input. |
| 3 | IO | I | P0[5] | Analog column mux input and column output. |
| 4 | IO | I | P0[3] | Analog column mux input and column output. |
| 5 | IO | I | P0[1] | Analog column mux input. |
| 6 | IO | | P2[7] | |
| 7 | IO | | P2[5] | |
| 8 | IO | I | P2[3] | Direct switched capacitor block input. |
| 9 | IO | I | P2[1] | Direct switched capacitor block input. |
| 10 | | | NC | No connection. Leave floating. |
| 11 | | | NC | No connection. Leave floating. |
| 12 | | | NC | No connection. Leave floating. |
| 13 | | | NC | No connection. Leave floating. |
| 14 | OCD | | OCDE | OCD even data IO. |
| 15 | OCD | | OCDO | OCD odd data output. |
| 16 | Power | | SMP | Switch Mode Pump (SMP) connection to required external components. |
| 17 | Power | | Vss | Ground. Connect to circuit ground. |
| 18 | Power | | Vss | Ground. Connect to circuit ground. |
| 19 | IO | | P3[3] | |

Table 3. Pin Definitions - CY8CTMG110 56-Pin (SSOP) (continued)

| Pin No. | Type | | Pin Name | Description |
|---------|---------|--------|----------|--|
| | Digital | Analog | | |
| 20 | IO | | P3[1] | |
| 21 | | | NC | No connection. Leave floating. |
| 22 | | | NC | No connection. Leave floating. |
| 23 | IO | | P1[7] | I2C Serial Clock (SCL). |
| 24 | IO | | P1[5] | I2C Serial Data (SDA). |
| 25 | | | NC | No connection. Leave floating. |
| 26 | IO | | P1[3] | |
| 27 | IO | | P1[1] | Crystal Input (XTALin), I2C Serial Clock (SCL), ISSP-SCLK ^[3] . |
| 28 | Power | | Vss | Ground. Connect to circuit ground. |
| 29 | | | NC | No connection. Leave floating. |
| 30 | | | NC | No connection. Leave floating. |
| 31 | IO | | P1[0] | Crystal Output (XTALout), I2C Serial Data (SDA), ISSP-SDATA ^[3] . |
| 32 | IO | | P1[2] | |
| 33 | IO | | P1[4] | Optional External Clock Input (EXTCLK). |
| 34 | IO | | P1[6] | |
| 35 | | | NC | No connection. Leave floating. |
| 36 | | | NC | No connection. Leave floating. |
| 37 | | | NC | No connection. Leave floating. |
| 38 | | | NC | No connection. Leave floating. |
| 39 | | | NC | No connection. Leave floating. |
| 40 | | | NC | No connection. Leave floating. |
| 41 | Input | | XRES | Active high external reset with internal pull down. |
| 42 | OCD | | HCLK | OCD high-speed clock output. |
| 43 | OCD | | CCLK | OCD CPU clock output. |
| 44 | IO | | P3[0] | |
| 45 | IO | | P3[2] | |
| 46 | | | NC | No connection. Leave floating. |
| 47 | | | NC | No connection. Leave floating. |
| 48 | IO | I | P2[0] | |
| 49 | IO | I | P2[2] | |
| 50 | IO | | P2[4] | |
| 51 | IO | | P2[6] | |
| 52 | IO | I | P0[0] | Analog column mux input. |
| 53 | IO | I | P0[2] | Analog column mux input and column output. |
| 54 | IO | I | P0[4] | Analog column mux input and column output. |
| 55 | IO | I | P0[6] | Analog column mux input. |
| 56 | Power | | Vdd | Supply voltage. Bypass to ground with 0.1 uF capacitor. |

LEGEND: A = Analog, I = Input, O = Output, and OCD = On-Chip Debug.

Electrical Specifications

This section presents the DC and AC electrical specifications of the CY8CTMG110 TrueTouch device. For up to date electrical specifications, visit the web site <http://www.cypress.com/psoc>.

Specifications are valid for $-40^{\circ}\text{C} \leq T_A \leq 85^{\circ}\text{C}$ and $T_J \leq 100^{\circ}\text{C}$ as specified, except where noted.

Refer [Table 18](#) on page 19 for the electrical specifications on the internal main oscillator (IMO) using SLIMO mode.

Figure 7. Voltage versus CPU Frequency

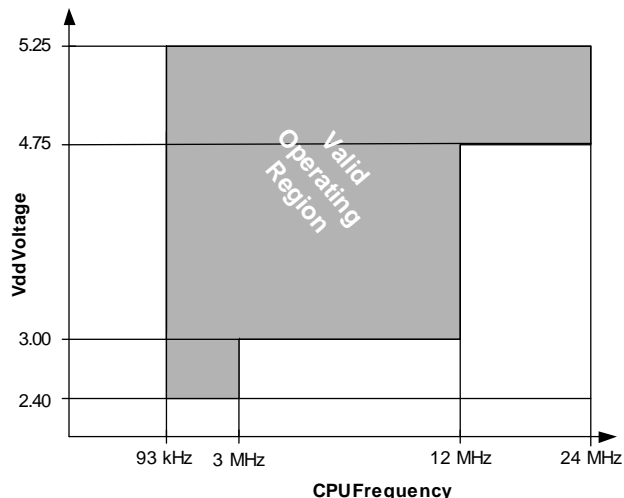
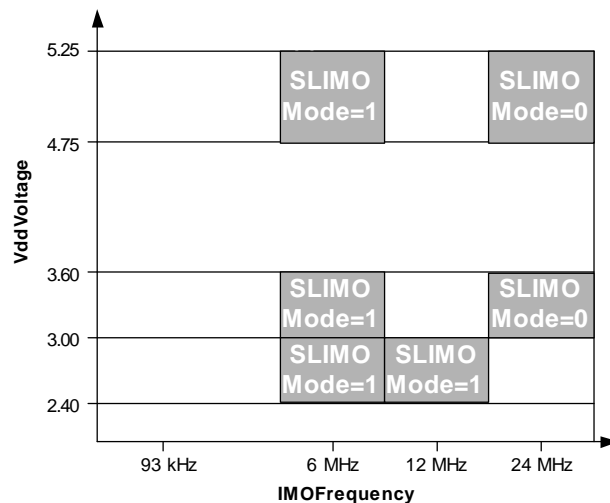


Figure 8. IMO Frequency Trim Options



[Table 4](#) lists the units of measure that are used in this section.

Table 4. Units of Measure

| Symbol | Unit of Measure | Symbol | Unit of Measure |
|--------|-----------------------------|--------|-------------------------------|
| °C | degree Celsius | μW | microwatts |
| dB | decibels | mA | milli-ampere |
| fF | femto farad | ms | milli-second |
| Hz | hertz | mV | milli-volts |
| KB | 1024 bytes | nA | nanoampere |
| Kbit | 1024 bits | ns | nanosecond |
| kHz | kilohertz | nV | nanovolts |
| kΩ | kilohm | Ω | ohm |
| MHz | megahertz | pA | picoampere |
| MΩ | megaohm | pF | picofarad |
| μA | microampere | pp | peak-to-peak |
| μF | microfarad | ppm | parts per million |
| μH | microhenry | ps | picosecond |
| μs | microsecond | sps | samples per second |
| μV | microvolts | s | sigma: one standard deviation |
| μVrms | microvolts root-mean-square | V | volts |

Absolute Maximum Ratings
Table 5. Absolute Maximum Ratings

| Symbol | Description | Min | Typ | Max | Units | Notes |
|------------------|---|-----------------------|-----|-----------------------|-------|---|
| T _{STG} | Storage Temperature | -55 | 25 | +100 | °C | Higher storage temperatures reduce data retention time. Recommended storage temperature is +25°C ± 25°C. Extended duration storage temperatures above 65°C degrade reliability. |
| T _A | Ambient Temperature with Power Applied | -40 | – | +85 | °C | |
| V _{DD} | Supply Voltage on Vdd Relative to Vss | -0.5 | – | +6.0 | V | |
| V _{IO} | DC Input Voltage | V _{SS} - 0.5 | – | V _{DD} + 0.5 | V | |
| V _{IOZ} | DC Voltage Applied to Tri-state | V _{SS} - 0.5 | – | V _{DD} + 0.5 | V | |
| I _{MIO} | Maximum Current into any Port Pin | -25 | – | +50 | mA | |
| ESD | Electro Static Discharge Voltage ^[4] | 2000 | – | – | V | Human Body Model ESD. |
| LU | Latch-up Current | – | – | 200 | mA | |

Operating Temperature
Table 6. Operating Temperature

| Symbol | Description | Min | Typ | Max | Units | Notes |
|----------------|------------------------------------|-----|-----|------|-------|--|
| T _A | Ambient Temperature ^[5] | -40 | – | +85 | °C | |
| T _J | Junction Temperature | -40 | – | +100 | °C | The temperature rise from ambient to junction is package specific. See Table 33 on page 28. The user must limit the power consumption to comply with this requirement. |

Notes

4. See the user module data sheet for touchscreen application related ESD testing.
5. See the user module data sheet for touchscreen application related temperature testing.

DC Electrical Characteristics

The below electrical characteristics are for proper CPU core and I/O operation. For capacitive touchscreen electrical characteristics, refer to the touchscreen user module data sheet.

DC Chip Level Specifications

Table 7 lists the guaranteed maximum and minimum specifications for the voltage and temperature ranges: 4.75V to 5.25V and $-40^{\circ}\text{C} \leq T_A \leq 85^{\circ}\text{C}$, 3.0V to 3.6V and $-40^{\circ}\text{C} \leq T_A \leq 85^{\circ}\text{C}$, or 2.7V to 3.0V and $-40^{\circ}\text{C} \leq T_A \leq 85^{\circ}\text{C}$, respectively. Typical parameters apply to 5V, 3.3V, or 2.7V at 25°C. These are for design guidance only.

Table 7. DC Chip Level Specifications

| Symbol | Description | Min | Typ | Max | Units | Notes |
|--------------------|--|--------------------------|------------------|--------------------------|-------|---|
| V _{DD} | Supply Voltage | 2.40 | – | 5.25 | V | See Table 16 on page 17. |
| I _{DD} | Supply Current, IMO = 24 MHz | – | 3 | 4 | mA | Conditions are V _{DD} = 5.0V, T _A = 25°C, CPU = 3 MHz, 48 MHz disabled. VC1 = 1.5 MHz, VC2 = 93.75 kHz, VC3 = 0.366 kHz. |
| I _{DD3} | Supply Current, IMO = 6 MHz using SLIMO Mode | – | 1.2 | 2 | mA | Conditions are V _{DD} = 3.3V, T _A = 25°C, CPU = 3 MHz, clock doubler disabled. VC1 = 375 kHz, VC2 = 23.4 kHz, VC3 = 0.091 kHz. |
| I _{DD27} | Supply Current, IMO = 6 MHz using SLIMO Mode | – | 1.1 | 1.5 | mA | Conditions are V _{DD} = 2.55V, T _A = 25°C, CPU = 3 MHz, clock doubler disabled. VC1 = 375 kHz, VC2 = 23.4 kHz, VC3 = 0.091 kHz. |
| I _{SB27} | Sleep (Mode) Current with POR, LVD, Sleep Timer, WDT, and Internal Slow Oscillator Active. Mid temperature range | – | 2.6 | 4. | μA | V _{DD} = 2.55V, 0°C ≤ T _A ≤ 40°C. |
| I _{SB} | Sleep (Mode) Current with POR, LVD, Sleep Timer, WDT, and Internal Slow Oscillator Active | – | 2.8 | 5 | μA | V _{DD} = 3.3V, -40°C ≤ T _A ≤ 85°C. |
| V _{REF} | Reference Voltage (Bandgap) | 1.28 | 1.30 | 1.32 | V | Trimmed for appropriate V _{DD} . V _{DD} = 3.0V to 5.25V. |
| V _{REF27} | Reference Voltage (Bandgap) | 1.16 | 1.30 | 1.33 | V | Trimmed for appropriate V _{DD} . V _{DD} = 2.4V to 3.0V. |
| AGND | Analog Ground | V _{REF} - 0.003 | V _{REF} | V _{REF} + 0.003 | V | |

DC General Purpose IO Specifications

Table 8 and Table 9 list the guaranteed maximum and minimum specifications for the voltage and temperature ranges: 4.75V to 5.25V and $-40^{\circ}\text{C} \leq T_A \leq 85^{\circ}\text{C}$, 3.0V to 3.6V and $-40^{\circ}\text{C} \leq T_A \leq 85^{\circ}\text{C}$, or 2.4V to 3.0V and $-40^{\circ}\text{C} \leq T_A \leq 85^{\circ}\text{C}$, respectively. Typical parameters apply to 5V, 3.3V, and 2.7V at 25°C. These are for design guidance only.

Table 8. 5V and 3.3V DC GPIO Specifications

| Symbol | Description | Min | Typ | Max | Units | Notes |
|-----------------|--------------------|-----------------------|-----|------|-------|--|
| R _{PU} | Pull Up Resistor | 4 | 5.6 | 8 | kΩ | |
| R _{PD} | Pull Down Resistor | 4 | 5.6 | 8 | kΩ | |
| V _{OH} | High Output Level | V _{DD} - 1.0 | – | – | V | I _{OH} = 10 mA, V _{DD} = 4.75 to 5.25V (8 total loads, 4 on even port pins (for example, P0[2], P1[4]), 4 on odd port pins (for example, P0[3], P1[5])). |
| V _{OL} | Low Output Level | – | – | 0.75 | V | I _{OL} = 25 mA, V _{DD} = 4.75 to 5.25V (8 total loads, 4 on even port pins (for example, P0[2], P1[4]), 4 on odd port pins (for example, P0[3], P1[5])). |
| V _{IL} | Input Low Level | – | – | 0.8 | V | V _{DD} = 3.0 to 5.25. |
| V _{IH} | Input High Level | 2.1 | – | – | V | V _{DD} = 3.0 to 5.25. |

Table 8. 5V and 3.3V DC GPIO Specifications (continued)

| Symbol | Description | Min | Typ | Max | Units | Notes |
|------------------|-----------------------------------|-----|-----|-----|-------|--|
| V _H | Input Hysteresis | – | 60 | – | mV | |
| I _{IL} | Input Leakage (Absolute Value) | – | 1 | – | nA | Gross tested to 1 μA. |
| C _{IN} | Capacitive Load on Pins as Input | – | 3.5 | 10 | pF | Package and pin dependent. Temp = 25°C. |
| C _{OUT} | Capacitive Load on Pins as Output | – | 3.5 | 10 | pF | Package and pin dependent. Temp = 25°C. |

Table 9. 2.7V DC GPIO Specifications

| Symbol | Description | Min | Typ | Max | Units | Notes |
|------------------|-----------------------------------|-----------------------|-----|------|-------|--|
| R _{PU} | Pull Up Resistor | 4 | 5.6 | 8 | kΩ | |
| R _{PD} | Pull Down Resistor | 4 | 5.6 | 8 | kΩ | |
| V _{OH} | High Output Level | V _{DD} - 0.4 | – | – | V | IOH = 2.5 mA (6.25 Typ), V _{DD} = 2.4 to 3.0V (16 mA maximum, 50 mA Typ combined IOH budget). |
| V _{OL} | Low Output Level | – | – | 0.75 | V | IOL = 10 mA, V _{DD} = 2.4 to 3.0V (90 mA maximum combined IOL budget). |
| V _{IL} | Input Low Level | – | – | 0.75 | V | V _{DD} = 2.4 to 3.0. |
| V _{IH} | Input High Level | 2.0 | – | – | V | V _{DD} = 2.4 to 3.0. |
| V _H | Input Hysteresis | – | 90 | – | mV | |
| I _{IL} | Input Leakage (Absolute Value) | – | 1 | – | nA | Gross tested to 1 μA. |
| C _{IN} | Capacitive Load on Pins as Input | – | 3.5 | 10 | pF | Package and pin dependent. Temp = 25°C. |
| C _{OUT} | Capacitive Load on Pins as Output | – | 3.5 | 10 | pF | Package and pin dependent. Temp = 25°C. |

DC Operational Amplifier Specifications

Table 10, Table 11, and Table 12 list the guaranteed maximum and minimum specifications for the voltage and temperature ranges: 4.75V to 5.25V and $-40^{\circ}\text{C} \leq T_A \leq 85^{\circ}\text{C}$, 3.0V to 3.6V and $-40^{\circ}\text{C} \leq T_A \leq 85^{\circ}\text{C}$, or 2.4V to 3.0V and $-40^{\circ}\text{C} \leq T_A \leq 85^{\circ}\text{C}$, respectively. Typical parameters apply to 5V, 3.3V, or 2.7V at 25°C. These are for design guidance only.

Table 10. 5V DC Operational Amplifier Specifications

| Symbol | Description | Min | Typ | Max | Units | Notes |
|----------------------------------|--|-----|-----|---------------------|-------|--|
| V _{OSOA} | Input Offset Voltage (Absolute Value) | – | 2.5 | 15 | mV | |
| TCV _{OSOA} | Average Input Offset Voltage Drift | – | 10 | – | μV/°C | |
| I _{EBOA} ^[6] | Input Leakage Current (Port 0 Analog Pins) | – | 200 | – | pA | Gross tested to 1 μA. |
| C _{INOA} | Input Capacitance (Port 0 Analog Pins) | – | 4.5 | 9.5 | pF | Package and pin dependent. Temp = 25°C. |
| V _{CMOA} | Common Mode Voltage Range | 0.0 | – | V _{DD} - 1 | V | |
| G _{OLOA} | Open Loop Gain | – | 80 | – | dB | |
| I _{SOA} | Amplifier Supply Current | – | 10 | 30 | μA | |

Note

6. Atypical behavior: I_{EBOA} of Port 0 Pin 0 is below 1 nA at 25°C; 50 nA over temperature. Use Port 0 Pins 1-7 for the lowest leakage of 200 nA.

Table 11. 3.3V DC Operational Amplifier Specifications

| Symbol | Description | Min | Typ | Max | Units | Notes |
|----------------------------------|--|-----|-----|---------------------|-------|--|
| V _{OSOA} | Input Offset Voltage (absolute value) | – | 2.5 | 15 | mV | |
| TCV _{OSOA} | Average Input Offset Voltage Drift | – | 10 | – | μV/°C | |
| I _{EBOA} ^[6] | Input Leakage Current (Port 0 Analog Pins) | – | 200 | – | pA | Gross tested to 1 μA. |
| C _{INOA} | Input Capacitance (Port 0 Analog Pins) | – | 4.5 | 9.5 | pF | Package and pin dependent. Temp = 25°C. |
| V _{CMOA} | Common Mode Voltage Range | 0 | – | V _{dd} - 1 | V | |
| G _{OLOA} | Open Loop Gain | – | 80 | – | dB | |
| I _{SOA} | Amplifier Supply Current | – | 10 | 30 | μA | |

Table 12. 2.7V DC Operational Amplifier Specifications

| Symbol | Description | Min | Typ | Max | Units | Notes |
|----------------------------------|--|-----|-----|---------------------|-------|--|
| V _{OSOA} | Input Offset Voltage (absolute value) | – | 2.5 | 15 | mV | |
| TCV _{OSOA} | Average Input Offset Voltage Drift | – | 10 | – | μV/°C | |
| I _{EBOA} ^[6] | Input Leakage Current (Port 0 Analog Pins) | – | 200 | – | pA | Gross tested to 1 μA. |
| C _{INOA} | Input Capacitance (Port 0 Analog Pins) | – | 4.5 | 9.5 | pF | Package and pin dependent. Temp = 25°C. |
| V _{CMOA} | Common Mode Voltage Range | 0 | – | V _{dd} - 1 | V | |
| G _{OLOA} | Open Loop Gain | – | 80 | – | dB | |
| I _{SOA} | Amplifier Supply Current | – | 10 | 30 | μA | |

DC Low Power Comparator Specifications

Table 13 lists the guaranteed maximum and minimum specifications for the voltage and temperature ranges: 4.75V to 5.25V and -40°C ≤ T_A ≤ 85°C, 3.0V to 3.6V and -40°C ≤ T_A ≤ 85°C, or 2.4V to 3.0V and -40°C ≤ T_A ≤ 85°C, respectively. Typical parameters apply to 5V at 25°C. These are for design guidance only.

Table 13. DC Low Power Comparator Specifications

| Symbol | Description | Min | Typ | Max | Units | Notes |
|---------------------|--|-----|-----|---------------------|-------|-------|
| V _{REFLPC} | Low Power Comparator (LPC) Reference Voltage Range | 0.2 | – | V _{dd} - 1 | V | |
| I _{SLPC} | LPC Supply Current | – | 10 | 40 | μA | |
| V _{OSSLPC} | LPC Voltage Offset | – | 2.5 | 30 | mV | |

DC Analog Mux Bus Specifications

Table 14 lists the guaranteed maximum and minimum specifications for the voltage and temperature ranges: 4.75V to 5.25V and -40°C ≤ T_A ≤ 85°C, 3.0V to 3.6V and -40°C ≤ T_A ≤ 85°C, or 2.4V to 3.0V and -40°C ≤ T_A ≤ 85°C, respectively. Typical parameters apply to 5V, 3.3V, or 2.7V at 25°C. These are for design guidance only.

Table 14. DC Analog Mux Bus Specifications

| Symbol | Description | Min | Typ | Max | Units | Notes |
|------------------|--|-----|-----|------------|-------|---|
| R _{SW} | Switch Resistance to Common Analog Bus | – | – | 400 800 | W | V _{dd} ≥ 2.7V 2.4V ≤ V _{dd} ≤ 2.7V |
| R _{VDD} | Resistance of Initialization Switch to V _{dd} | – | – | 800 | W | |

DC IDAC Resolution

Table 15 lists IDAC typical resolution. Typical parameters apply to 5V at 25°C. These are for design guidance only.

Table 15. DC IDAC Resolution

| Symbol | Description | Min | Typ | Max | Units | Notes |
|-------------------|--------------------------------------|-----|-----|-----|-------|-------|
| I _{IDAC} | Current Output of 1 LSB (1x Setting) | - | 90 | - | nA | |

DC POR and LVD Specifications

Table 16 lists the guaranteed maximum and minimum specifications for the voltage and temperature ranges: 4.75V to 5.25V and -40°C ≤ T_A ≤ 85°C, 3.0V to 3.6V and -40°C ≤ T_A ≤ 85°C, or 2.4V to 3.0V and -40°C ≤ T_A ≤ 85°C, respectively. Typical parameters apply to 5V, 3.3V, or 2.7V at 25°C. These are for design guidance only.

Table 16. DC POR and LVD Specifications

| Symbol | Description | Min | Typ | Max | Units | Notes |
|--------------------|--|------|------|----------------------|-------|--|
| V _{PPOR0} | Vdd Value for PPOR Trip PORLEV[1:0] = 00b | | 2.36 | 2.40 | V | Vdd must be greater than or equal to 2.5V during startup, reset from the XRES pin, or reset from Watchdog. |
| V _{PPOR1} | PORLEV[1:0] = 01b | - | 2.82 | 2.95 | V | |
| V _{PPOR2} | PORLEV[1:0] = 10b | | 4.55 | 4.70 | V | |
| V _{LVD0} | Vdd Value for LVD Trip VM[2:0] = 000b | 2.40 | 2.45 | 2.51 ^[7] | V | |
| V _{LVD1} | VM[2:0] = 001b | 2.85 | 2.92 | 2.99 ^[8] | V | |
| V _{LVD2} | VM[2:0] = 010b | 2.95 | 3.02 | 3.09 | V | |
| V _{LVD3} | VM[2:0] = 011b | 3.06 | 3.13 | 3.20 | V | |
| V _{LVD4} | VM[2:0] = 100b | 4.37 | 4.48 | 4.55 | V | |
| V _{LVD5} | VM[2:0] = 101b | 4.50 | 4.64 | 4.75 | V | |
| V _{LVD6} | VM[2:0] = 110b | 4.62 | 4.73 | 4.83 | V | |
| V _{LVD7} | VM[2:0] = 111b | 4.71 | 4.81 | 4.95 | V | |
| V _{PUMP0} | Vdd Value for PUMP Trip VM[2:0] = 000b | 2.45 | 2.55 | 2.62 ^[9] | V | |
| V _{PUMP1} | VM[2:0] = 001b | 2.96 | 3.02 | 3.09 | V | |
| V _{PUMP2} | VM[2:0] = 010b | 3.03 | 3.10 | 3.16 | V | |
| V _{PUMP3} | VM[2:0] = 011b | 3.18 | 3.25 | 3.32 ^[10] | V | |
| V _{PUMP4} | VM[2:0] = 100b | 4.54 | 4.64 | 4.74 | V | |
| V _{PUMP5} | VM[2:0] = 101b | 4.62 | 4.73 | 4.83 | V | |
| V _{PUMP6} | VM[2:0] = 110b | 4.71 | 4.82 | 4.92 | V | |
| V _{PUMP7} | VM[2:0] = 111b | 4.89 | 5.00 | 5.12 | V | |

Notes

7. Always greater than 50 mV above V_{PPOR} (PORLEV = 00) for falling supply.
8. Always greater than 50 mV above V_{PPOR} (PORLEV = 01) for falling supply.
9. Always greater than 50 mV above V_{LVD0}.
10. Always greater than 50 mV above V_{LVD3}.

DC Programming Specifications

Table 17 lists the guaranteed maximum and minimum specifications for the voltage and temperature ranges: 4.75V to 5.25V and $-40^{\circ}\text{C} \leq T_A \leq 85^{\circ}\text{C}$, 3.0V to 3.6V and $-40^{\circ}\text{C} \leq T_A \leq 85^{\circ}\text{C}$, or 2.4V to 3.0V and $-40^{\circ}\text{C} \leq T_A \leq 85^{\circ}\text{C}$, respectively. Typical parameters apply to 5V, 3.3V, or 2.7V at 25°C. These are for design guidance only.

Table 17. DC Programming Specifications

| Symbol | Description | Min | Typ | Max | Units | Notes |
|-----------------------|---|-----------------------|-----|------------------------|-------|--------------------------------------|
| V _{DDIWRITE} | Supply Voltage for Flash Write Operations | 2.70 | – | – | V | |
| I _{DDP} | Supply Current During Programming or Verify | – | 5 | 25 | mA | |
| V _{ILP} | Input Low Voltage During Programming or Verify | – | – | 0.8 | V | |
| V _{IHP} | Input High Voltage During Programming or Verify | 2.2 | – | – | V | |
| I _{ILP} | Input Current when Applying V _{ilp} to P1[0] or P1[1] During Programming or Verify | – | – | 0.2 | mA | Driving internal pull down resistor. |
| I _{IHP} | Input Current when Applying V _{ihp} to P1[0] or P1[1] During Programming or Verify | – | – | 1.5 | mA | Driving internal pull down resistor. |
| V _{OLV} | Output Low Voltage During Programming or Verify | – | – | V _{SS} + 0.75 | V | |
| V _{OHV} | Output High Voltage During Programming or Verify | V _{DD} - 1.0 | – | V _{DD} | V | |
| Flash _{ENPB} | Flash Endurance (per block) | 50,000 | – | – | – | Erase/write cycles per block. |
| Flash _{ENT} | Flash Endurance (total) ^[11] | 1,800,000 | – | – | – | Erase/write cycles. |
| Flash _{DR} | Flash Data Retention | 10 | – | – | Years | |

Note

11. A maximum of 36 x 50,000 block endurance cycles is allowed. This may be balanced between operations on 36x1 blocks of 50,000 maximum cycles each, 36x2 blocks of 25,000 maximum cycles each, or 36x4 blocks of 12,500 maximum cycles each (to limit the total number of cycles to 36x50,000 and that no single block ever sees more than 50,000 cycles).
 For the full industrial range, the user must employ a temperature sensor user module (FlashTemp) and feed the result to the temperature argument before writing. Refer to the Flash APIs Application Note AN2015 at <http://www.cypress.com> under Application Notes for more information.

AC Electrical Characteristics

AC Chip Level Specifications

Table 18 and Table 19 list the guaranteed maximum and minimum specifications for the voltage and temperature ranges: 4.75V to 5.25V and $-40^{\circ}\text{C} \leq T_A \leq 85^{\circ}\text{C}$, 3.0V to 3.6V and $-40^{\circ}\text{C} \leq T_A \leq 85^{\circ}\text{C}$, or 2.4V to 3.0V and $-40^{\circ}\text{C} \leq T_A \leq 85^{\circ}\text{C}$, respectively. Typical parameters apply to 5V, 3.3V, or 2.7V at 25°C. These are for design guidance only.

Table 18. 5V and 3.3V AC Chip Level Specifications

| Symbol | Description | Min | Typ | Max | Units | Notes |
|---------------------|--|------|------|----------------------------|-------|--|
| F _{IMO24} | Internal Main Oscillator Frequency for 24 MHz | 23.4 | 24 | 24.6 ^[12,13,14] | MHz | Trimmed for 5V or 3.3V operation using factory trim values. See Figure 8 on page 12. SLIMO mode = 0. |
| F _{IMO6} | Internal Main Oscillator Frequency for 6 MHz | 5.75 | 6 | 6.35 ^[12,13,14] | MHz | Trimmed for 5V or 3.3V operation using factory trim values. See Figure 8 on page 12. SLIMO mode = 1. |
| F _{CPU1} | CPU Frequency (5V Nominal) | 0.93 | 24 | 24.6 ^[12,13] | MHz | 24 MHz only for SLIMO mode = 0. |
| F _{CPU2} | CPU Frequency (3.3V Nominal) | 0.93 | 12 | 12.3 ^[13,14] | MHz | |
| F _{BLK5} | Digital PSoC Block Frequency (5V Nominal) | 0 | 48 | 49.2 ^[12,13,15] | MHz | Refer to the AC digital block specifications. |
| F _{BLK33} | Digital PSoC Block Frequency (3.3V Nominal) | 0 | 24 | 24.6 ^[13,15] | MHz | |
| F _{32K1} | Internal Low Speed Oscillator Frequency | 15 | 32 | 64 | kHz | |
| Jitter32k | 32 kHz RMS Period Jitter | – | 100 | 200 | ns | |
| Jitter32k | 32 kHz Peak-to-Peak Period Jitter | – | 1400 | – | | |
| T _{XRST} | External Reset Pulse Width | 10 | – | – | μs | |
| DC24M | 24 MHz Duty Cycle | 40 | 50 | 60 | % | |
| Step24M | 24 MHz Trim Step Size | – | 50 | – | kHz | |
| F _{out48M} | 48 MHz Output Frequency | 46.8 | 48.0 | 49.2 ^[12,14] | MHz | Trimmed. Using factory trim values. |
| Jitter24M1 | 24 MHz Peak-to-Peak Period Jitter (IMO) | – | 600 | | ps | |
| F _{MAX} | Maximum Frequency of signal on row input or row output | – | – | 12.3 | MHz | |
| T _{RAMP} | Supply Ramp Time | 0 | – | – | μs | |

Table 19. 2.7V AC Chip Level Specifications

| Symbol | Description | Min | Typ | Max | Units | Notes |
|--------------------|---|-------|-----|----------------------------|-------|--|
| F _{IMO12} | Internal Main Oscillator Frequency for 12 MHz | 11.5 | 12 | 12.7 ^[13,16,17] | MHz | Trimmed for 2.7V operation using factory trim values. See Figure 8 on page 12. SLIMO mode = 1. |
| F _{IMO6} | Internal Main Oscillator Frequency for 6 MHz | 5.75 | 6 | 6.35 ^[13,16,17] | MHz | Trimmed for 2.7V operation using factory trim values. See Figure 8 on page 12. SLIMO mode = 1. |
| F _{CPU1} | CPU Frequency (2.7V Nominal) | 0.093 | 3 | 3.15 ^[13,16] | MHz | 24 MHz only for SLIMO mode = 0. |
| F _{BLK27} | Digital PSoC Block Frequency (2.7V Nominal) | 0 | 12 | 12.5 ^[13,16,17] | MHz | Refer to the AC digital block specifications. |

Notes

12. 4.75V < V_{dd} < 5.25V.

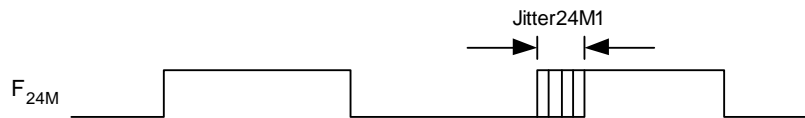
13. Accuracy derived from Internal Main Oscillator with appropriate trim for V_{dd} range.

14. 3.0V < V_{dd} < 3.6V. See Application Note AN2012 "Adjusting PSoC Microcontroller Trims for Dual Voltage-Range Operation" for information on trimming for operation at 3.3V.

15. See the individual user module data sheets for information on maximum frequencies for user modules.

Table 19. 2.7V AC Chip Level Specifications (continued)

| Symbol | Description | Min | Typ | Max | Units | Notes |
|------------|---|-----|------|------|---------|-------|
| F_{32K1} | Internal Low Speed Oscillator Frequency | 8 | 32 | 96 | kHz | |
| Jitter32k | 32 kHz RMS Period Jitter | – | 150 | 200 | ns | |
| Jitter32k | 32 kHz Peak-to-Peak Period Jitter | – | 1400 | – | | |
| T_{XRST} | External Reset Pulse Width | 10 | – | – | μ S | |
| F_{MAX} | Maximum Frequency of signal on row input or row output. | – | – | 12.3 | MHz | |
| T_{RAMP} | Supply Ramp Time | 0 | – | – | μ S | |

Figure 9. 24 MHz Period Jitter (IMO) Timing Diagram

Figure 10. 32 kHz Period Jitter (ILO) Timing Diagram

Notes

 16. $2.4V < V_{dd} < 3.0V$.

 17. See Application Note [AN2012](#) "Adjusting PSoC Microcontroller Trims for Dual Voltage-Range Operation" for information on maximum frequency for user modules.

AC General Purpose IO Specifications

Table 20 and Table 21 list the guaranteed maximum and minimum specifications for the voltage and temperature ranges: 4.75V to 5.25V and $-40^{\circ}\text{C} \leq T_A \leq 85^{\circ}\text{C}$, 3.0V to 3.6V and $-40^{\circ}\text{C} \leq T_A \leq 85^{\circ}\text{C}$, or 2.4V to 3.0V and $-40^{\circ}\text{C} \leq T_A \leq 85^{\circ}\text{C}$, respectively. Typical parameters apply to 5V, 3.3V, or 2.7V at 25°C. These are for design guidance only.

Table 20. 5V and 3.3V AC GPIO Specifications

| Symbol | Description | Min | Typ | Max | Units | Notes |
|--------------------|--|-----|-----|-----|-------|---|
| F _{GPIO} | GPIO Operating Frequency | 0 | – | 12 | MHz | Normal Strong Mode |
| T _{RiseF} | Rise Time, Normal Strong Mode, Cload = 50 pF | 3 | – | 18 | ns | V _{dd} = 4.5 to 5.25V, 10% - 90% |
| T _{FallF} | Fall Time, Normal Strong Mode, Cload = 50 pF | 2 | – | 18 | ns | V _{dd} = 4.5 to 5.25V, 10% - 90% |
| T _{RiseS} | Rise Time, Slow Strong Mode, Cload = 50 pF | 7 | 27 | – | ns | V _{dd} = 3 to 5.25V, 10% - 90% |
| T _{FallS} | Fall Time, Slow Strong Mode, Cload = 50 pF | 7 | 22 | – | ns | V _{dd} = 3 to 5.25V, 10% - 90% |

Table 21. 2.7V AC GPIO Specifications

| Symbol | Description | Min | Typ | Max | Units | Notes |
|--------------------|--|-----|-----|-----|-------|--|
| F _{GPIO} | GPIO Operating Frequency | 0 | – | 3 | MHz | Normal Strong Mode |
| T _{RiseF} | Rise Time, Normal Strong Mode, Cload = 50 pF | 6 | – | 50 | ns | V _{dd} = 2.4 to 3.0V, 10% - 90% |
| T _{FallF} | Fall Time, Normal Strong Mode, Cload = 50 pF | 6 | – | 50 | ns | V _{dd} = 2.4 to 3.0V, 10% - 90% |
| T _{RiseS} | Rise Time, Slow Strong Mode, Cload = 50 pF | 18 | 40 | 120 | ns | V _{dd} = 2.4 to 3.0V, 10% - 90% |
| T _{FallS} | Fall Time, Slow Strong Mode, Cload = 50 pF | 18 | 40 | 120 | ns | V _{dd} = 2.4 to 3.0V, 10% - 90% |

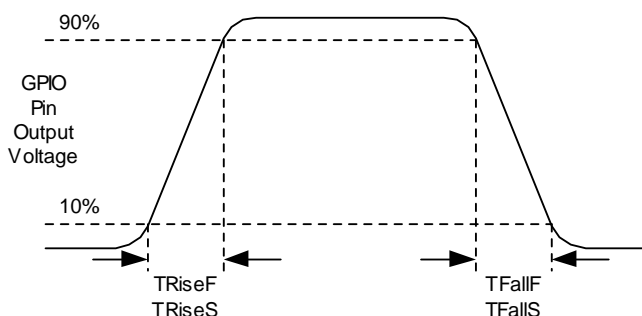
Figure 11. GPIO Timing Diagram

AC Operational Amplifier Specifications

Table 22 lists the guaranteed maximum and minimum specifications for the voltage and temperature ranges: 4.75V to 5.25V and $-40^{\circ}\text{C} \leq T_A \leq 85^{\circ}\text{C}$, 3.0V to 3.6V and $-40^{\circ}\text{C} \leq T_A \leq 85^{\circ}\text{C}$, or 2.4V to 3.0V and $-40^{\circ}\text{C} \leq T_A \leq 85^{\circ}\text{C}$, respectively. Typical parameters apply to 5V, 3.3V, or 2.7V at 25°C. These are for design guidance only.

Table 22. AC Operational Amplifier Specifications

| Symbol | Description | Min | Typ | Max | Units | Notes |
|-------------------|--|-----|-----|------------|----------|---|
| T _{COMP} | Comparator Mode Response Time, 50 mV Overdrive | | | 100 200 | ns ns | V _{dd} ≥ 3.0V. 2.4V < V _{cc} < 3.0V. |

AC Low Power Comparator Specifications

Table 23 lists the guaranteed maximum and minimum specifications for the voltage and temperature ranges: 4.75V to 5.25V and $-40^{\circ}\text{C} \leq T_A \leq 85^{\circ}\text{C}$, 3.0V to 3.6V and $-40^{\circ}\text{C} \leq T_A \leq 85^{\circ}\text{C}$, or 2.4V to 3.0V and $-40^{\circ}\text{C} \leq T_A \leq 85^{\circ}\text{C}$, respectively. Typical parameters apply to 5V at 25°C. These are for design guidance only.

Table 23. AC Low Power Comparator Specifications

| Symbol | Description | Min | Typ | Max | Units | Notes |
|------------|-------------------|-----|-----|-----|---------------|---|
| T_{RLPC} | LPC Response Time | – | – | 50 | μs | ≥ 50 mV overdrive comparator reference set within V_{REFLPC} . |

AC Analog Mux Bus Specifications

Table 24 lists the guaranteed maximum and minimum specifications for the voltage and temperature ranges: 4.75V to 5.25V and $-40^{\circ}\text{C} \leq T_A \leq 85^{\circ}\text{C}$, 3.0V to 3.6V and $-40^{\circ}\text{C} \leq T_A \leq 85^{\circ}\text{C}$, or 2.4V to 3.0V and $-40^{\circ}\text{C} \leq T_A \leq 85^{\circ}\text{C}$, respectively. Typical parameters apply to 5V, 3.3V, or 2.7V at 25°C. These are for design guidance only.

Table 24. AC Analog Mux Bus Specifications

| Symbol | Description | Min | Typ | Max | Units | Notes |
|----------|-------------|-----|-----|------|-------|-------|
| F_{SW} | Switch Rate | – | – | 3.17 | MHz | |

AC Digital Block Specifications

Table 25 and Table 26 list the guaranteed maximum and minimum specifications for the voltage and temperature ranges: 4.75V to 5.25V and $-40^{\circ}\text{C} \leq T_A \leq 85^{\circ}\text{C}$, 3.0V to 3.6V and $-40^{\circ}\text{C} \leq T_A \leq 85^{\circ}\text{C}$, or 2.4V to 3.0V and $-40^{\circ}\text{C} \leq T_A \leq 85^{\circ}\text{C}$, respectively. Typical parameters apply to 5V, 3.3V, or 2.7V at 25°C. These are for design guidance only.

Table 25. 5V and 3.3V AC Digital Block Specifications

| Function | Description | Min | Typ | Max | Units | Notes |
|-------------------|--|--------------------|-----|------|-------|--|
| All Functions | Maximum Block Clocking Frequency (> 4.75V) | | | 49.2 | MHz | 4.75V < Vdd < 5.25V. |
| | Maximum Block Clocking Frequency (< 4.75V) | | | 24.6 | MHz | 3.0V < Vdd < 4.75V. |
| Timer | Capture Pulse Width | 50 ^[18] | – | – | ns | |
| | Maximum Frequency, No Capture | – | – | 49.2 | MHz | 4.75V < Vdd < 5.25V. |
| | Maximum Frequency, With or Without Capture | – | – | 24.6 | MHz | |
| Counter | Enable Pulse Width | 50 | – | – | ns | |
| | Maximum Frequency, No Enable Input | – | – | 49.2 | MHz | 4.75V < Vdd < 5.25V. |
| | Maximum Frequency, Enable Input | – | – | 24.6 | MHz | |
| Dead Band | Kill Pulse Width: | | | | | |
| | Asynchronous Restart Mode | 20 | – | – | ns | |
| | Synchronous Restart Mode | 50 | – | – | ns | |
| | Disable Mode | 50 | – | – | ns | |
| | Maximum Frequency | – | – | 49.2 | MHz | 4.75V < Vdd < 5.25V. |
| CRCPRS (PRS Mode) | Maximum Input Clock Frequency | – | – | 49.2 | MHz | 4.75V < Vdd < 5.25V. |
| CRCPRS (CRC Mode) | Maximum Input Clock Frequency | – | – | 24.6 | MHz | |
| SPIIM | Maximum Input Clock Frequency | – | – | 8.2 | MHz | Maximum data rate at 4.1 MHz due to 2 x over clocking. |
| SPIS | Maximum Input Clock Frequency | – | – | 4.1 | MHz | |
| | Width of SS_ Negated Between Transmissions | 50 | – | – | ns | |

Note

18. 50 ns minimum input pulse width is based on the input synchronizers running at 12 MHz (84 ns nominal period).

Table 25. 5V and 3.3V AC Digital Block Specifications

| Function | Description | Min | Typ | Max | Units | Notes |
|-------------|---|-----|-----|------|-------|--|
| Transmitter | Maximum Input Clock Frequency | – | – | 24.6 | MHz | Maximum data rate at 3.08 MHz due to 8 x over clocking. Maximum data rate at 6.15 MHz due to 8 x over clocking. |
| | Maximum Input Clock Frequency with Vdd ≥ 4.75V, 2 Stop Bits | – | – | 49.2 | MHz | |
| Receiver | Maximum Input Clock Frequency | – | – | 24.6 | MHz | Maximum data rate at 3.08 MHz due to 8 x over clocking. Maximum data rate at 6.15 MHz due to 8 x over clocking. |
| | Maximum Input Clock Frequency with Vdd ≥ 4.75V, 2 Stop Bits | – | – | 49.2 | MHz | |

Table 26. 2.7V AC Digital Block Specifications

| Function | Description | Min | Typ | Max | Units | Notes |
|-------------------|--|---------------------|-----|------|-------|---|
| All Functions | Maximum Block Clocking Frequency | | | 12.7 | MHz | 2.4V < Vdd < 3.0V. |
| Timer | Capture Pulse Width | 100 ^[19] | – | – | ns | |
| | Maximum Frequency, With or Without Capture | – | – | 12.7 | MHz | |
| Counter | Enable Pulse Width | 100 | – | – | ns | |
| | Maximum Frequency, No Enable Input | – | – | 12.7 | MHz | |
| | Maximum Frequency, Enable Input | – | – | 12.7 | MHz | |
| Dead Band | Kill Pulse Width: | | | | | |
| | Asynchronous Restart Mode | 20 | – | – | ns | |
| | Synchronous Restart Mode | 100 | – | – | ns | |
| | Disable Mode | 100 | – | – | ns | |
| | Maximum Frequency | – | – | 12.7 | MHz | |
| CRCPRS (PRS Mode) | Maximum Input Clock Frequency | – | – | 12.7 | MHz | |
| CRCPRS (CRC Mode) | Maximum Input Clock Frequency | – | – | 12.7 | MHz | |
| SPIM | Maximum Input Clock Frequency | – | – | 6.35 | MHz | Maximum data rate at 3.17 MHz due to 2 x over clocking. |
| SPIS | Maximum Input Clock Frequency | – | – | 4.1 | MHz | |
| | Width of SS_ Negated Between Transmissions | 100 | – | – | ns | |
| Transmitter | Maximum Input Clock Frequency | – | – | 12.7 | MHz | Maximum data rate at 1.59 MHz due to 8 x over clocking. |
| Receiver | Maximum Input Clock Frequency | – | – | 12.7 | MHz | Maximum data rate at 1.59 MHz due to 8 x over clocking. |

Note

19. 100 ns minimum input pulse width is based on the input synchronizers running at 12 MHz (84 ns nominal period).

AC External Clock Specifications

Table 27, Table 28, and Table 29 list the guaranteed maximum and minimum specifications for the voltage and temperature ranges: 4.75V to 5.25V and $-40^{\circ}\text{C} \leq T_A \leq 85^{\circ}\text{C}$, or 3.0V to 3.6V and $-40^{\circ}\text{C} \leq T_A \leq 85^{\circ}\text{C}$, respectively. Typical parameters apply to 5V, 3.3V, or 2.7V at 25°C. These are for design guidance only.

Table 27. 5V AC External Clock Specifications

| Symbol | Description | Min | Typ | Max | Units |
|---------------------|------------------------|-------|-----|------|-------|
| F _{OSCEXT} | Frequency | 0.093 | – | 24.6 | MHz |
| – | High Period | 20.6 | – | 5300 | ns |
| – | Low Period | 20.6 | – | – | ns |
| – | Power Up IMO to Switch | 150 | – | – | μs |

Table 28. 3.3V AC External Clock Specifications

| Symbol | Description | Min | Typ | Max | Units | Notes |
|---------------------|---|-------|-----|------|-------|---|
| F _{OSCEXT} | Frequency with CPU Clock divide by 1 | 0.093 | – | 12.3 | MHz | Maximum CPU frequency is 12 MHz at 3.3V. With the CPU clock divider set to 1, the external clock must adhere to the maximum frequency and duty cycle requirements. |
| F _{OSCEXT} | Frequency with CPU Clock divide by 2 or greater | 0.186 | – | 24.6 | MHz | If the frequency of the external clock is greater than 12 MHz, the CPU clock divider must be set to 2 or greater. In this case, the CPU clock divider ensures that the fifty percent duty cycle requirement is met. |
| – | High Period with CPU Clock divide by 1 | 41.7 | – | 5300 | ns | |
| – | Low Period with CPU Clock divide by 1 | 41.7 | – | – | ns | |
| – | Power Up IMO to Switch | 150 | – | – | μs | |

Table 29. 2.7V AC External Clock Specifications

| Symbol | Description | Min | Typ | Max | Units | Notes |
|---------------------|---|-------|-----|------|-------|--|
| F _{OSCEXT} | Frequency with CPU Clock divide by 1 | 0.093 | – | 3.08 | MHz | Maximum CPU frequency is 3 MHz at 2.7V. With the CPU clock divider set to 1, the external clock must adhere to the maximum frequency and duty cycle requirements. |
| F _{OSCEXT} | Frequency with CPU Clock divide by 2 or greater | 0.186 | – | 6.35 | MHz | If the frequency of the external clock is greater than 3 MHz, the CPU clock divider must be set to 2 or greater. In this case, the CPU clock divider ensures that the fifty percent duty cycle requirement is met. |
| – | High Period with CPU Clock divide by 1 | 160 | – | 5300 | ns | |
| – | Low Period with CPU Clock divide by 1 | 160 | – | – | ns | |
| – | Power Up IMO to Switch | 150 | – | – | μs | |

AC Programming Specifications

Table 30 lists the guaranteed maximum and minimum specifications for the voltage and temperature ranges: 4.75V to 5.25V and $-40^{\circ}\text{C} \leq T_A \leq 85^{\circ}\text{C}$, or 3.0V to 3.6V and $-40^{\circ}\text{C} \leq T_A \leq 85^{\circ}\text{C}$, respectively. Typical parameters apply to 5V, 3.3V, or 2.7V at 25°C. These are for design guidance only.

Table 30. AC Programming Specifications

| Symbol | Description | Min | Typ | Max | Units | Notes |
|---------------------|--|-----|-----|-----|-------|-----------------------------|
| T _{RSCLK} | Rise Time of SCLK | 1 | – | 20 | ns | |
| T _{FSCLK} | Fall Time of SCLK | 1 | – | 20 | ns | |
| T _{SSCLK} | Data Setup Time to Falling Edge of SCLK | 40 | – | – | ns | |
| T _{HSCLK} | Data Hold Time from Falling Edge of SCLK | 40 | – | – | ns | |
| F _{SCLK} | Frequency of SCLK | 0 | – | 8 | MHz | |
| T _{ERASEB} | Flash Erase Time (Block) | – | 15 | – | ms | |
| T _{WRITE} | Flash Block Write Time | – | 30 | – | ms | |
| T _{DSCLK} | Data Out Delay from Falling Edge of SCLK | – | – | 45 | ns | 3.6 < V _{dd} |
| T _{DSCLK3} | Data Out Delay from Falling Edge of SCLK | – | – | 50 | ns | 3.0 ≤ V _{dd} ≤ 3.6 |
| T _{DSCLK2} | Data Out Delay from Falling Edge of SCLK | – | – | 70 | ns | 2.4 ≤ V _{dd} ≤ 3.0 |

AC I²C Specifications

Table 31 and Table 32 list the guaranteed maximum and minimum specifications for the voltage and temperature ranges: 4.75V to 5.25V and $-40^{\circ}\text{C} \leq T_A \leq 85^{\circ}\text{C}$, 3.0V to 3.6V and $-40^{\circ}\text{C} \leq T_A \leq 85^{\circ}\text{C}$, or 2.4V to 3.0V and $-40^{\circ}\text{C} \leq T_A \leq 85^{\circ}\text{C}$, respectively. Typical parameters apply to 5V, 3.3V, or 2.7V at 25°C. These are for design guidance only.

Table 31. AC Characteristics of the I²C SDA and SCL Pins for V_{dd} ≥ 3.0V

| Symbol | Description | Standard Mode | | Fast Mode | | Units |
|-----------------------|--|---------------|-----|---------------------|-----|-------|
| | | Min | Max | Min | Max | |
| F _{SCL12C} | SCL Clock Frequency | 0 | 100 | 0 | 400 | kHz |
| T _{HDSTA12C} | Hold Time (repeated) START Condition. After this period, the first clock pulse is generated. | 4.0 | – | 0.6 | – | μs |
| T _{LOW12C} | LOW Period of the SCL Clock | 4.7 | – | 1.3 | – | μs |
| T _{HIGH12C} | HIGH Period of the SCL Clock | 4.0 | – | 0.6 | – | μs |
| T _{SUSTA12C} | Set-up Time for a Repeated START Condition | 4.7 | – | 0.6 | – | μs |
| T _{HDDAT12C} | Data Hold Time | 0 | – | 0 | – | μs |
| T _{SUDAT12C} | Data Set-up Time | 250 | – | 100 ^[20] | – | ns |
| T _{SUSTOI2C} | Set-up Time for STOP Condition | 4.0 | – | 0.6 | – | μs |
| T _{BUF12C} | Bus Free Time Between a STOP and START Condition | 4.7 | – | 1.3 | – | μs |
| T _{SPI2C} | Pulse Width of Spikes are Suppressed by the Input Filter. | – | – | 0 | 50 | ns |

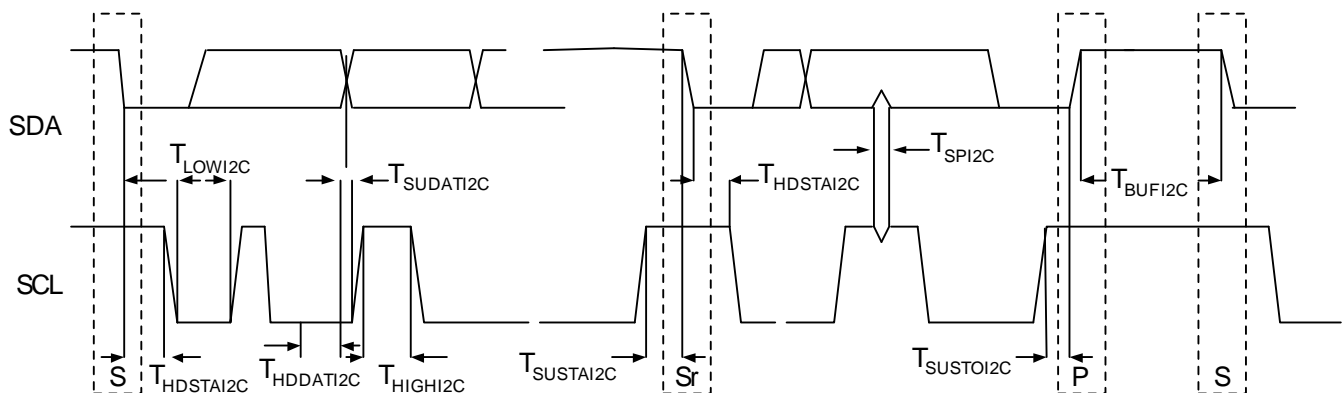
Note

20. A Fast-Mode I²C-bus device may be used in a Standard-Mode I²C-bus system, but the requirement $t_{\text{SU:DAT}} \geq 250$ ns must then be met. This is automatically the case if the device does not stretch the LOW period of the SCL signal. If such device does stretch the LOW period of the SCL signal, it must output the next data bit to the SDA line $t_{\text{max}} + t_{\text{SU:DAT}} = 1000 + 250 = 1250$ ns (according to the Standard-Mode I²C-bus specification) before the SCL line is released.

Table 32. 2.7V AC Characteristics of the I²C SDA and SCL Pins (Fast Mode not Supported)

| Symbol | Description | Standard Mode | | Fast Mode | | Units |
|------------------------|--|---------------|-----|-----------|-----|-------|
| | | Min | Max | Min | Max | |
| F _{SCL I2C} | SCL Clock Frequency | 0 | 100 | – | – | kHz |
| T _{HDSTAI2C} | Hold Time (repeated) START Condition. After this period, the first clock pulse is generated. | 4.0 | – | – | – | μs |
| T _{LOWI2C} | LOW Period of the SCL Clock | 4.7 | – | – | – | μs |
| T _{HIGHI2C} | HIGH Period of the SCL Clock | 4.0 | – | – | – | μs |
| T _{SUSTA I2C} | Setup Time for a Repeated START Condition | 4.7 | – | – | – | μs |
| T _{HDDATI2C} | Data Hold Time | 0 | – | – | – | μs |
| T _{SUDATI2C} | Data Setup Time | 250 | – | – | – | ns |
| T _{SUSTOI2C} | Setup Time for STOP Condition | 4.0 | – | – | – | μs |
| T _{BUFI2C} | Bus Free Time Between a STOP and START Condition | 4.7 | – | – | – | μs |
| T _{SPI2C} | Pulse Width of Spikes are Suppressed by the Input Filter. | – | – | – | – | ns |

Figure 12. Definition for Timing for Fast/Standard Mode on the I²C Bus



Packaging Information

This section shows the packaging specifications for the CY8CTMG110 TrueTouch device with the thermal impedances for each package.

It is important to note that emulation tools may require a larger area on the target PCB than the chip's footprint. For a detailed description of the emulation tools' dimensions, refer to the document titled *PSoC Emulator Pod Dimensions* at <http://www.cypress.com/design/MR10161>.

For information on the preferred dimensions for mounting QFN packages, see the following Application Note at http://www.amkor.com/products/notes_papers/MLFAppNote.pdf.

Figure 13. 32-Pin Sawn QFN Package

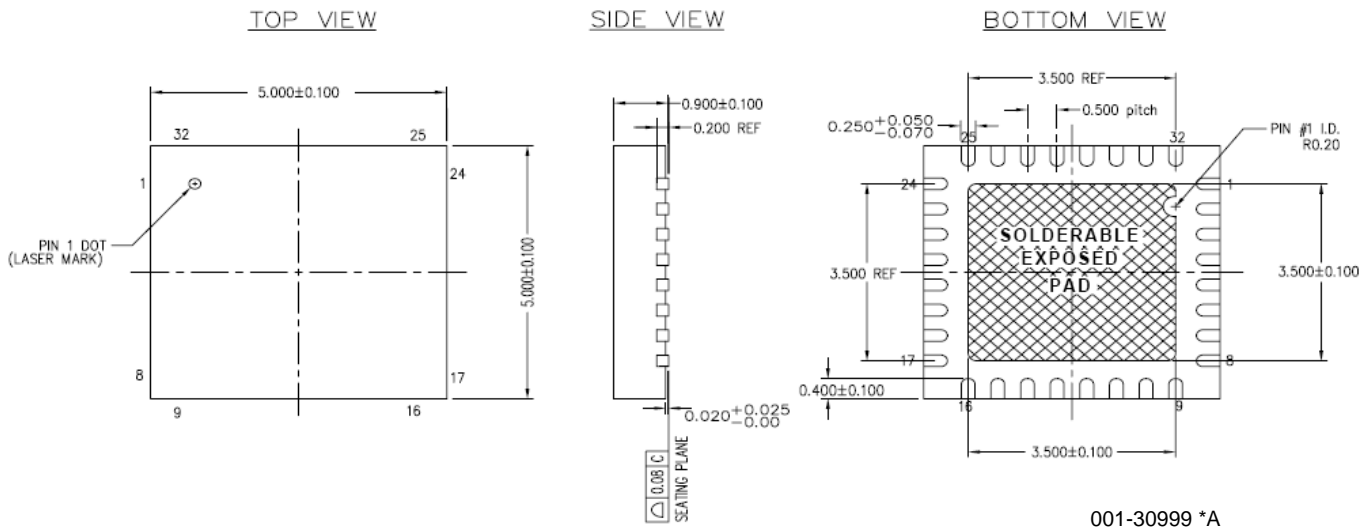
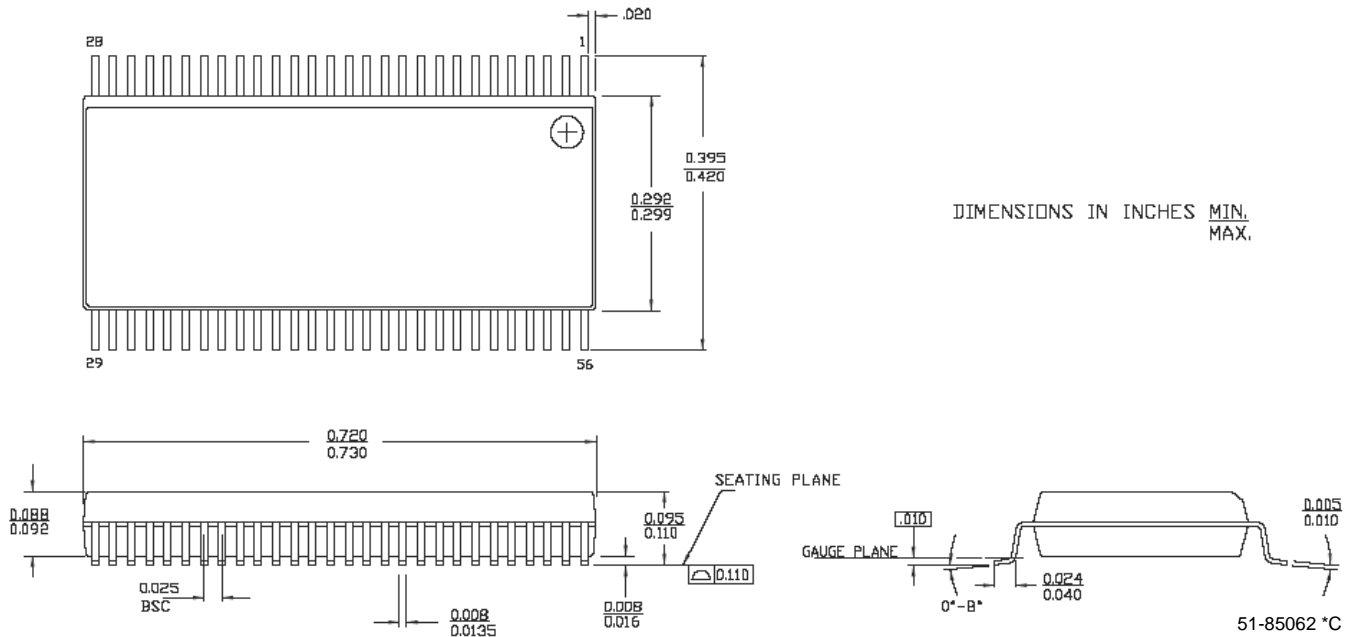


Figure 14. 56-Pin (300-Mil) SSOP



Thermal Impedances

Table 33. Thermal Impedances per Package

| Package | Typical θ_{JA} [21] | Typical θ_{JC} |
|--|----------------------------|-----------------------|
| 32 QFN ^[21] 5x5 mm 0.93 MAX | 22 °C/W | 12 °C/W |

Solder Reflow Peak Temperature

Following is the minimum solder reflow peak temperature to achieve good solderability.

Table 34. Solder Reflow Peak Temperature

| Package | Minimum Peak Temperature ^[23] | Maximum Peak Temperature |
|---------|--|--------------------------|
| 32 QFN | 240°C | 260°C |

Notes

21. $T_J = T_A + \text{Power} \times \theta_{JA}$.

22. To achieve the thermal impedance specified for the ** package, the center thermal pad is soldered to the PCB ground plane.

23. Higher temperatures is required based on the solder melting point. Typical temperatures for solder are 220 ± 5oC with Sn-Pb or 245 ± 5oC with Sn-Ag-Cu paste. Refer to the solder manufacturer specifications.

Development Tool Selection

Software

PSoC Designer

At the core of the PSoC development software suite is PSoC Designer. Used by thousands of PSoC developers, this robust software has been facilitating PSoC designs for half a decade. PSoC Designer is available free of charge at <http://www.cypress.com> under Design Resources > Software and Drivers.

PSoC Programmer

Flexible enough to be used on the bench in development, yet suitable for factory programming, PSoC Programmer works either as a standalone programming application or operates directly from PSoC Designer or PSoC Express. PSoC Programmer software is compatible with both PSoC ICE-Cube In-Circuit Emulator and PSoC MiniProg. PSoC programmer is available free of charge at <http://www.cypress.com/psocprogrammer>.

Hi-Tech C Lite Compiler

Hi-Tech C Lite is an ANSI C compiler optimized for PSoC to deliver dense, efficient executable code for a smaller-than-ever footprint. Hi-Tech C Lite can be downloaded at <http://www.cypress.htsoft.com>. To install the HI-TECH Lite version, download the compiler installation file from HI-TECH and choose the Lite option when prompted for a registration key. The Lite version can be upgraded to the 45-day full featured evaluation version or the PRO version at any time, however the PRO version can only be enabled with a purchased registration key.

Hi-Tech C Pro Compiler

Hi-Tech C Pro is an optional upgrade to PSoC Designer that offers all of the benefits of Hi-Tech C Lite with additional features. Hi-Tech C Pro is available for purchase either at the Cypress Online Store or at <http://www.cypress.htsoft.com>. Hi-Tech C Pro is recommended for touchscreen applications using the Multi-Touch All-Point CY8CTMA120 device.

CY3202-C iMAGEcraft C Compiler

CY3202 is the optional upgrade to PSoC Designer that enables the iMAGEcraft C compiler. It can be purchased from the Cypress Online Store. At <http://www.cypress.com>, click the Online Store shopping cart icon at the bottom of the web page, and click *PSoC (Programmable System-on-Chip)* to view a current list of available items.

Evaluation Tools

All evaluation tools can be purchased from the Cypress Online Store.

CY3210-MiniProg1

The CY3210-MiniProg1 kit allows a user to program PSoC devices through the MiniProg1 programming unit. The MiniProg is a small, compact prototyping programmer that connects to the PC through a provided USB 2.0 cable. The kit includes:

- MiniProg Programming Unit
- MiniEval Socket Programming and Evaluation Board
- 28-Pin CY8C29466-24PXI PDIP PSoC Device Sample
- 28-Pin CY8C27443-24PXI PDIP PSoC Device Sample
- PSoC Designer Software CD
- Getting Started Guide
- USB 2.0 Cable

Device Programmers

All device programmers can be purchased from the Cypress Online Store.

CY3216 Modular Programmer

The CY3216 Modular Programmer kit features a modular programmer and the MiniProg1 programming unit. The modular programmer includes three programming module cards and supports multiple Cypress products. The kit includes:

- Modular Programmer Base
- 3 Programming Module Cards
- MiniProg Programming Unit
- PSoC Designer Software CD
- Getting Started Guide
- USB 2.0 Cable

CY3207ISSP In-System Serial Programmer (ISSP)

The CY3207ISSP is a production programmer. It includes protection circuitry and an industrial case that is more robust than the MiniProg in a production-programming environment.

Note CY3207ISSP needs special software and is not compatible with PSoC Programmer. The kit includes:

- CY3207 Programmer Unit
- PSoC ISSP Software CD
- 110 ~ 240V Power Supply, Euro-Plug Adapter
- USB 2.0 Cable

Accessories (Emulation and Programming)

Third Party Tools

Several tools have been specially designed by the following third party vendors to accompany PSoC devices during development and production. Specific details for each of these tools can be found at <http://www.cypress.com> under Design Resources > Evaluation Boards.

Build a PSoC Emulator into Your Board

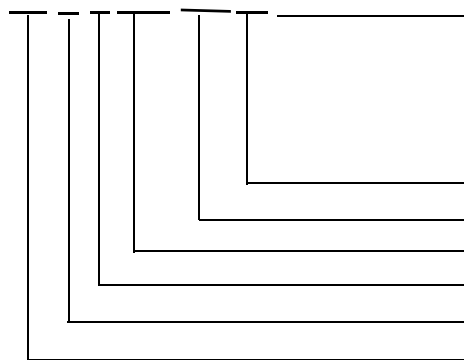
For details on how to emulate your circuit before going to volume production using an on-chip debug (OCD) non-production PSoC device, see application note [AN2323](#) "Debugging - Build a PSoC Emulator into Your Board".

Ordering Information

| Package | Ordering Code | Flash (Bytes) | SRAM (Bytes) | Temperature Range | Single-Touch Enabled | Multi-Touch Gesture Enabled | Multi-Touch All-Point Enabled | X/Y Sensor Inputs |
|---|--------------------|---------------|--------------|-------------------|----------------------|-----------------------------|-------------------------------|-------------------|
| 32-Pin (5x5 mm 0.93 MAX) SAWN QFN | CY8CTMG110-32LTXI | 8K | 512 | -40°C to +85°C | Y | Y | N | Up to 24 |
| 32-Pin (5x5 mm 0.93 MAX) SAWN QFN (Tape and Reel) | CY8CTMG110-32LTXIT | 8K | 512 | -40°C to +85°C | Y | Y | N | Up to 24 |
| 56-Pin OCD SSOP | CY8CTMG110-00PVXI | 8K | 512 | -40°C to +85°C | Y | Y | N | Up to 24 |

Ordering Code Definitions

CY 8 C TMG xxx-32xx



- Package Type:
 - PX = PDIP Pb-Free
 - SX = SOIC Pb-Free
 - PVX = SSOP Pb-Free
 - LFX/LKX = QFN Pb-Free
 - AX = TQFP Pb-Free
- Thermal Rating:
 - C = Commercial
 - I = Industrial
 - E = Extended
- Pin Count: 32-Pin
- Part Number
- Family Code: TMG = Touchscreen Multi-Touch Gesture Device
- Technology Code: C = CMOS
- Marketing Code: 8 = Cypress PSoC
- Company ID: CY = Cypress

Document History Page

| Document Title: CY8CTMG110 TrueTouch™ Multi-Touch Gesture Touchscreen Controller | | | | |
|--|---------|-----------------|-----------------|---|
| Document Number: 001-46928 | | | | |
| Revision | ECN | Orig. of Change | Submission Date | Description of Change |
| ** | 2518134 | DSO/AESA | 06/18/08 | New data sheet |
| *A | 2523303 | DSO/PYRS | 07/01/08 | Updated X/Y sensor inputs to 24 and supported screen sizes to 4.6" and below Changed operating voltage range to 2.7V to 5.25V. |
| *B | 2549257 | YOM/PYRS | 08/06/08 | Added other sections based on PSoC data sheets |

Sales, Solutions, and Legal Information

Worldwide Sales and Design Support

Cypress maintains a worldwide network of offices, solution centers, manufacturer’s representatives, and distributors. To find the office closest to you, visit us at cypress.com/sales.

Products

| | |
|------------------|--|
| PSoC | psoc.cypress.com |
| Clocks & Buffers | clocks.cypress.com |
| Wireless | wireless.cypress.com |
| Memories | memory.cypress.com |
| Image Sensors | image.cypress.com |

PSoC Solutions

| | |
|-----------------------|--|
| General | psoc.cypress.com/solutions |
| Low Power/Low Voltage | psoc.cypress.com/low-power |
| Precision Analog | psoc.cypress.com/precision-analog |
| LCD Drive | psoc.cypress.com/lcd-drive |
| CAN 2.0b | psoc.cypress.com/can |
| USB | psoc.cypress.com/usb |

© Cypress Semiconductor Corporation, 2008. The information contained herein is subject to change without notice. Cypress Semiconductor Corporation assumes no responsibility for the use of any circuitry other than circuitry embodied in a Cypress product. Nor does it convey or imply any license under patent or other rights. Cypress products are not warranted nor intended to be used for medical, life support, life saving, critical control or safety applications, unless pursuant to an express written agreement with Cypress. Furthermore, Cypress does not authorize its products for use as critical components in life-support systems where a malfunction or failure may reasonably be expected to result in significant injury to the user. The inclusion of Cypress products in life-support systems application implies that the manufacturer assumes all risk of such use and in doing so indemnifies Cypress against all charges.

Any Source Code (software and/or firmware) is owned by Cypress Semiconductor Corporation (Cypress) and is protected by and subject to worldwide patent protection (United States and foreign), United States copyright laws and international treaty provisions. Cypress hereby grants to licensee a personal, non-exclusive, non-transferable license to copy, use, modify, create derivative works of, and compile the Cypress Source Code and derivative works for the sole purpose of creating custom software and or firmware in support of licensee product to be used only in conjunction with a Cypress integrated circuit as specified in the applicable agreement. Any reproduction, modification, translation, compilation, or representation of this Source Code except as specified above is prohibited without the express written permission of Cypress.

Disclaimer: CYPRESS MAKES NO WARRANTY OF ANY KIND, EXPRESS OR IMPLIED, WITH REGARD TO THIS MATERIAL, INCLUDING, BUT NOT LIMITED TO, THE IMPLIED WARRANTIES OF MERCHANTABILITY AND FITNESS FOR A PARTICULAR PURPOSE. Cypress reserves the right to make changes without further notice to the materials described herein. Cypress does not assume any liability arising out of the application or use of any product or circuit described herein. Cypress does not authorize its products for use as critical components in life-support systems where a malfunction or failure may reasonably be expected to result in significant injury to the user. The inclusion of Cypress’ product in a life-support systems application implies that the manufacturer assumes all risk of such use and in doing so indemnifies Cypress against all charges.

Use may be limited by and subject to the applicable Cypress software license agreement.