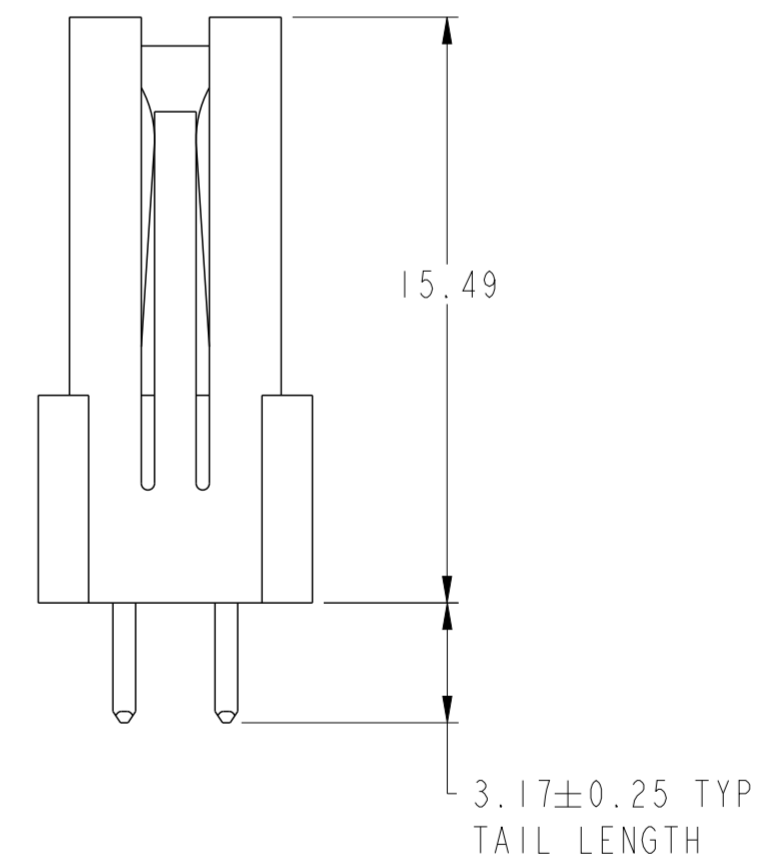
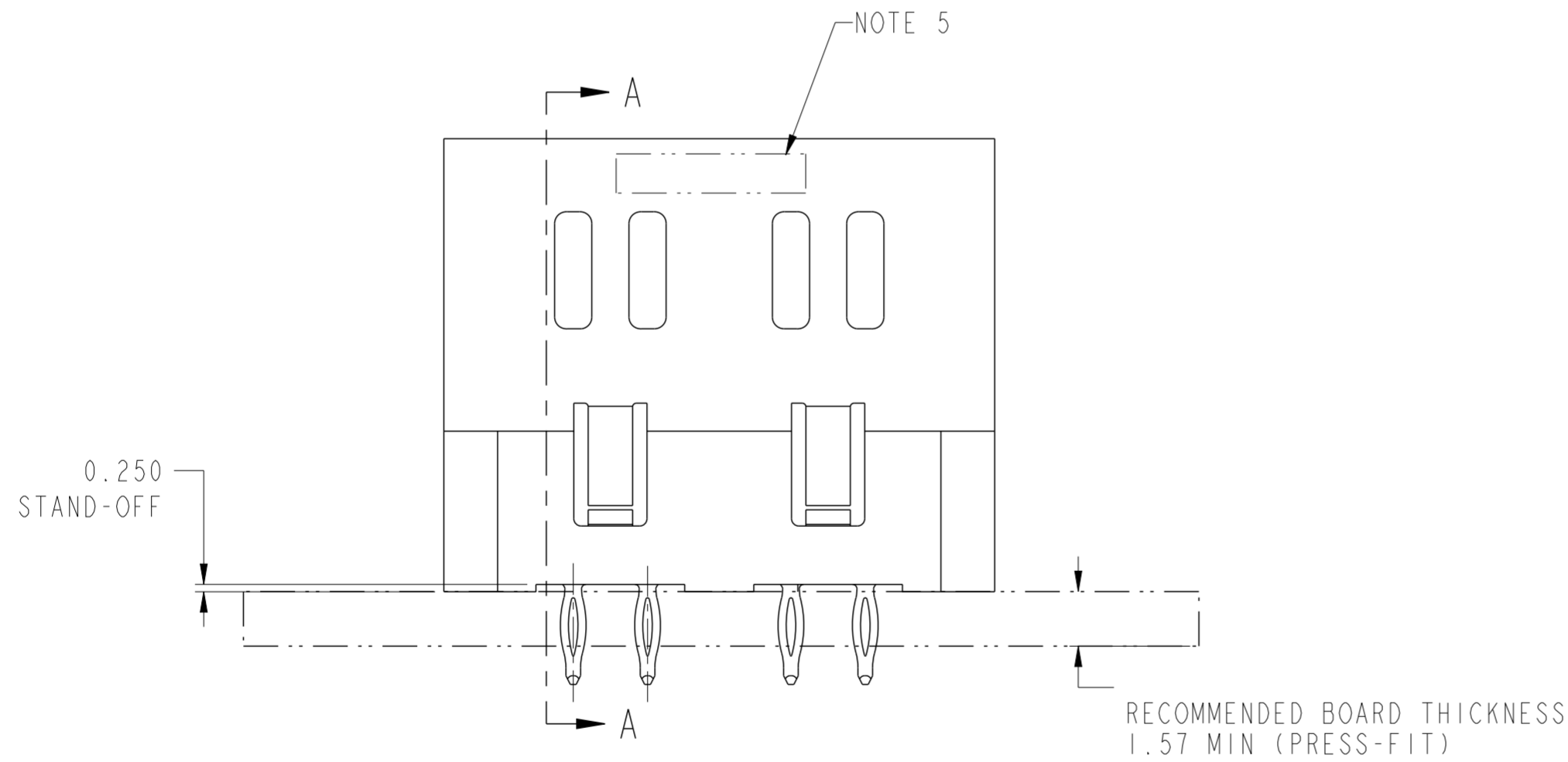
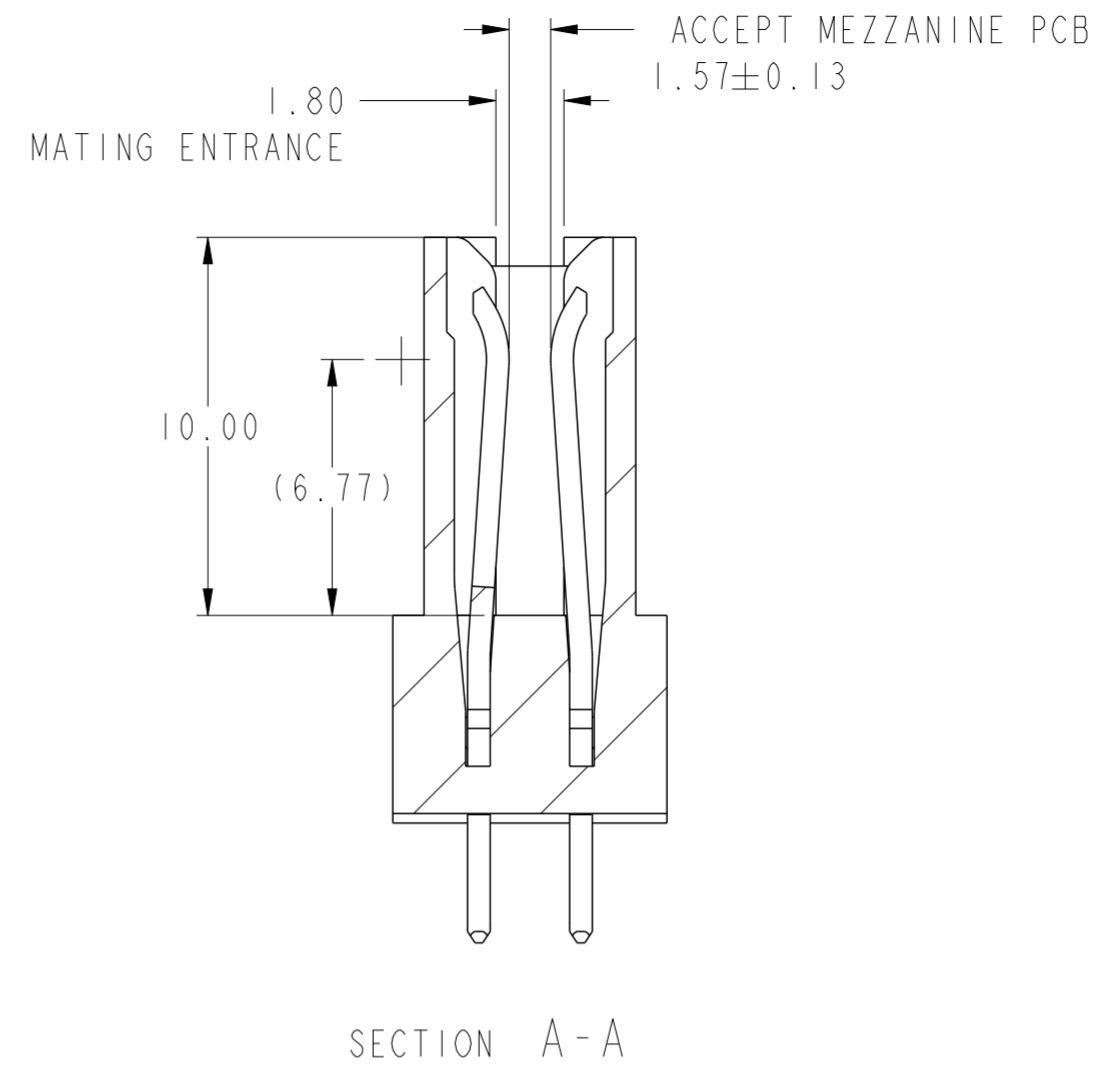
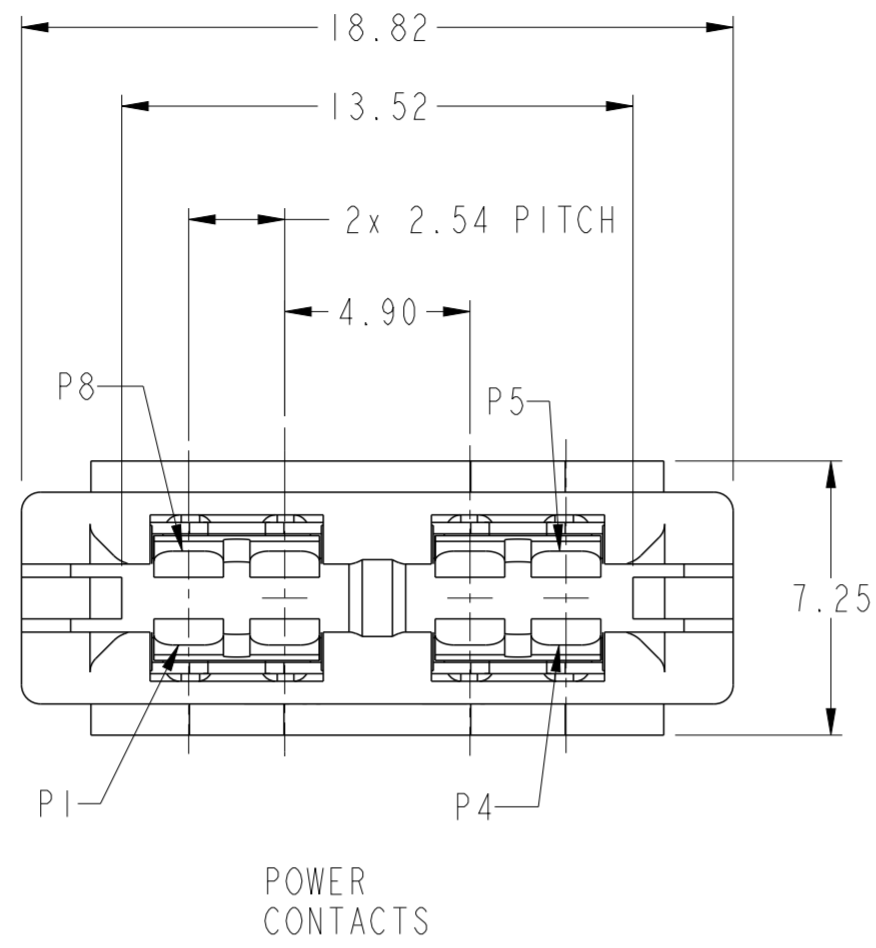
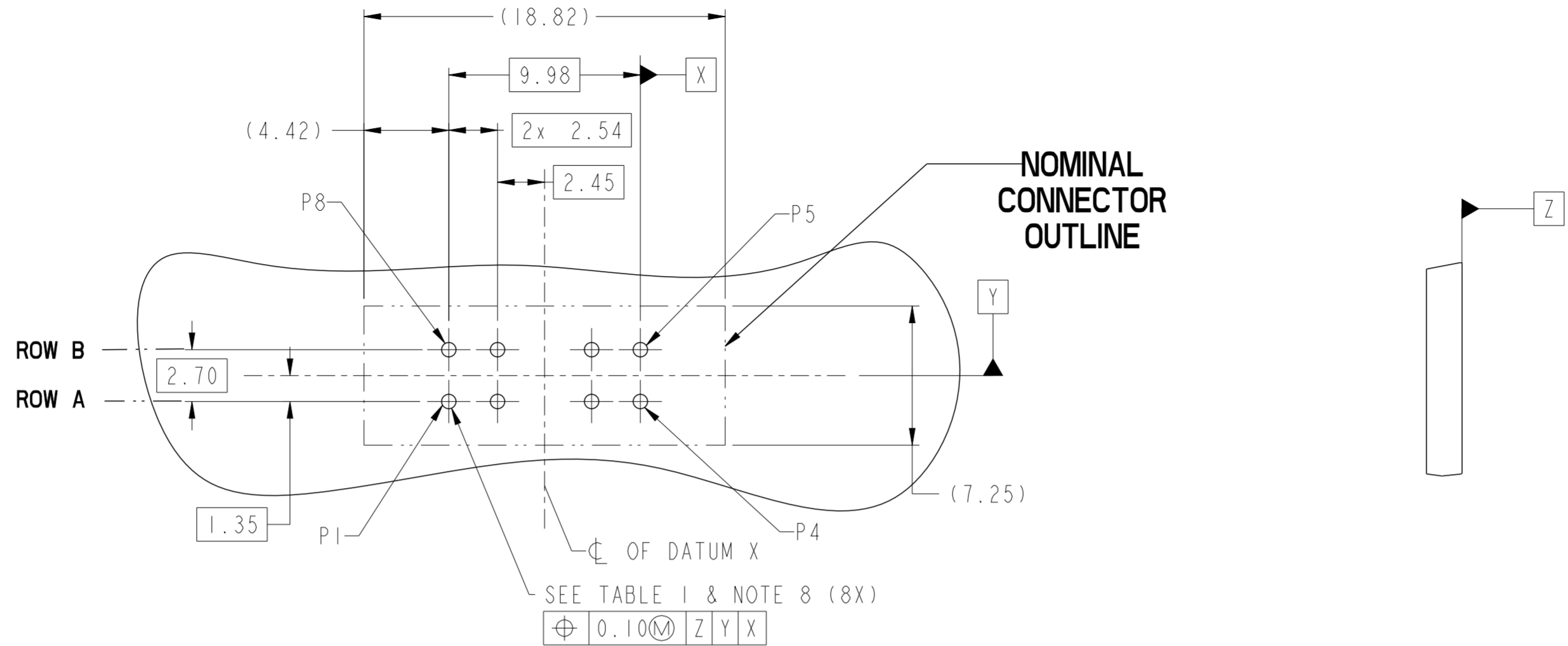


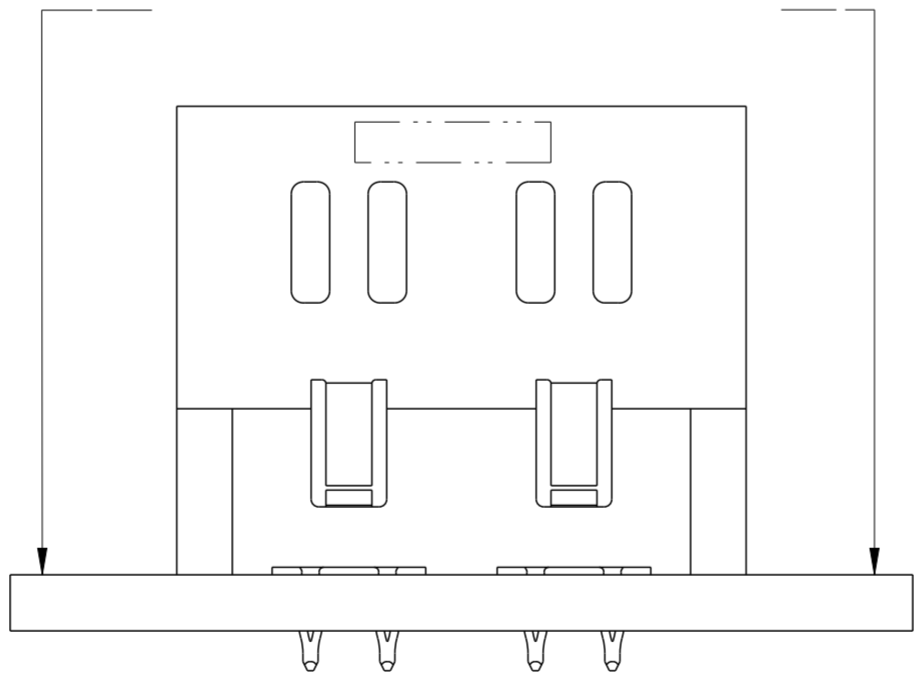
PART NUMBER 10127272-001LF



spec ref	-	dr	Jackie Huang	2014/04/01	projection	mm	size	A2	scale	5:1	
tolerance std	ISO 406 ISO 1101	eng	Sunny2 Liu	2016/04/12		mm	ecn no	ELX-DG-22934-1			
TOLERANCES UNLESS OTHERWISE SPECIFIED		chr	Terris Liu	2016/05/20			rel level	Released			
surface	ASME Y14.5	appr	Pai-Ming Zheng	2016/05/24			product family	CARD EDGE		rel level	Released
linear	0.X ±0.5 0.XX ±0.25 0.XXX ±0.10	Amphenol FCi	VERT RECP (8P) HIGH POWER CARD EDGE		cat. no.	-		Product - Customer Drw	sheet 1 of 3	rev	B
angular	0° ±2°			PDS: Rev :B	STATUS:Released		Printed: May 24, 2016				



**RECOMMENDED PCB LAYOUT
VIEWED FROM CONNECTOR SIDE**



Amphenol
FCi

© 2016 AFci

spec ref	-	dr	Jackie Huang	2014/04/01	projection	mm	size	A2	scale	2:1
tolerance std	ISO 406 ISO 1101	eng	Sunny2 Liu	2016/04/12			ecn no	ELX-DG-22934-1		
TOLERANCES UNLESS OTHERWISE SPECIFIED		chr	Terris Liu	2016/05/20			rel level	Released		
surface	ASME Y14.5	appr	Pai-Ming Zheng	2016/05/24	product family	-	rel level	Released		
linear	0.X ±0.5 0.XX ±0.25 0.XXX ±0.10	Amphenol FCi	title		VERT RECP (8P) HIGH POWER CARD EDGE		dwg no	10127272		
angular	0° ±2°	cat. no.	-		Product - Customer Drw	sheet 2 of 3	rev	B		

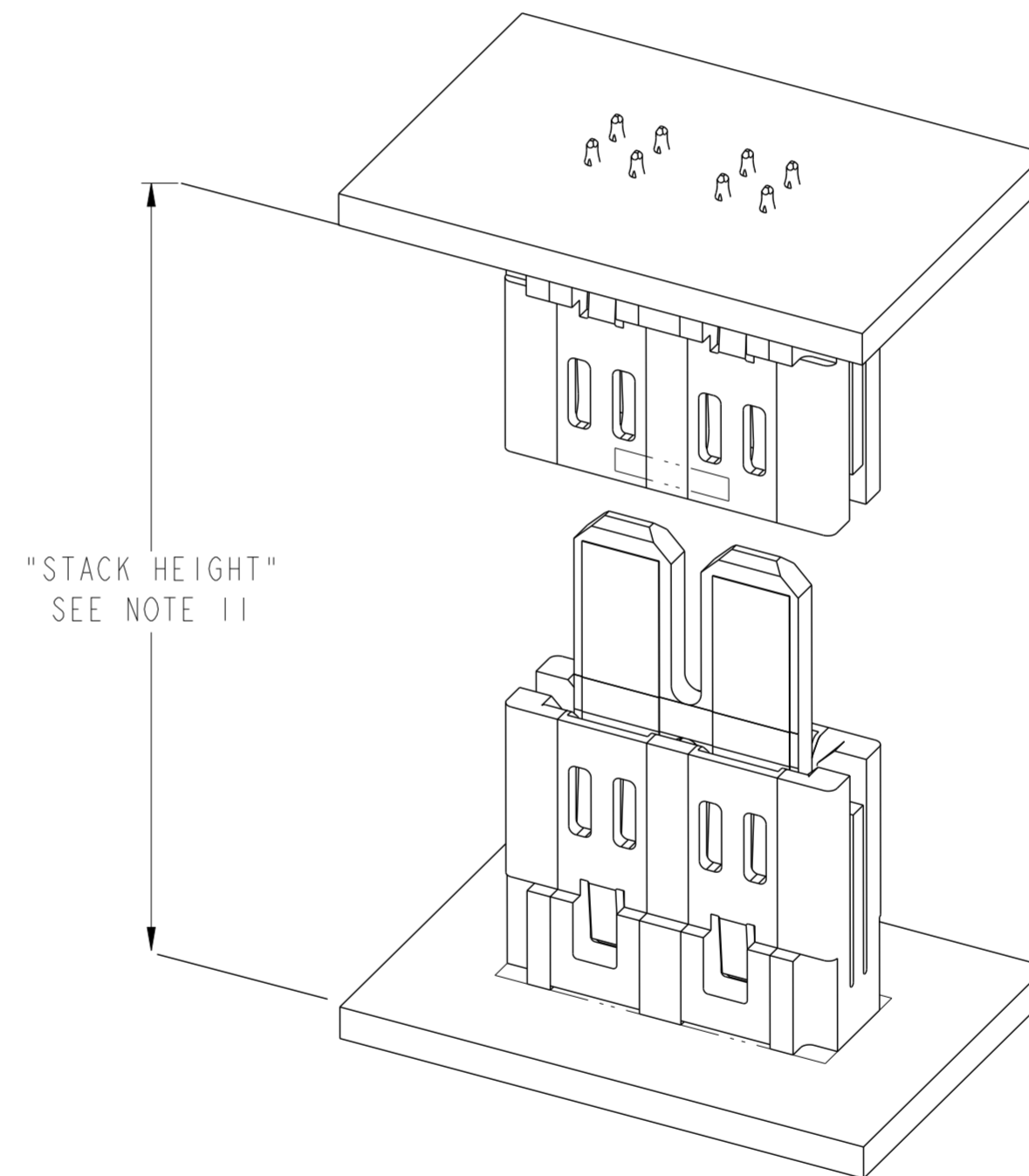
PDS: Rev :B

STATUS:Released

Printed: May 24, 2016

TABLE I (HPCE / PRESS-FIT TAILS)
PLATED THROUGH-HOLE REQUIREMENTS

CONTACT TYPE	TOP LAYER DESCRIPTION	DRILLED HOLE DIAMETER	COPPER THICKNESS	TIN-LEAD THICKNESS	TIN THICKNESS	FINISHED HOLE DIAMETER
		POWER & SIGNAL	TIN-LEAD	0.81-0.86 (0.85 DRILL)	0.025 - 0.050	0.005 - 0.015
	IMMERSION TIN	0.81-0.86 (0.85 DRILL)	0.025 - 0.050	--	0.9 - 1.5um	0.70 - 0.80
	COPPER (SEE NOTE 8)	0.81-0.86 (0.85 DRILL)	0.025 - 0.050	--	--	0.70 - 0.80



NOTES:

- CONNECTOR MATERIALS:
HOUSING: HIGH TEMPERATURE THERMAL PLASTIC, BLACK
UL 94V-0 COMPLIANT
CONTACTS: HIGH PERFORMANCE COPPER ALLOY.
- CONTACT FINISH REF. GS-12-604 SECTION 5.2.
- PRODUCT SPECIFICATION: GS-12-1261.
- APPLICATION SPECIFICATION: GS-20-128.
- B 5. PRODUCT MARKING ON HOUSING IN AREA SHOWN MEETS AFCI SPECIFICATION: GS-24-007.
6. PACKAGING MEETS FCI SPECIFICATION GS-14-937.
7. HOUSING COMPONENT WILL WITHSTAND EXPOSURE TO 260°C PEAK TEMPERATURE FOR 60 SECONDS IN A CONVECTION, INFRA-RED, OR VAPOR PHASE REFLOW OVEN.
8. COPPER PLATING THICKNESS IN CENTER OF VIA-HOLE CAN BE NO MORE THAN 0.003 LESS THAN OTHER AREAS.
9. ALL HOLE SIZES ARE FINISHED HOLE SIZES.
10. INTENDED USE: TWO ASSEMBLIES (P/N 10127272) MEZZANINE STACKED USING PCB TO CONTROL STACK HEIGHT.
DIM "L" + 10.98mm = FINAL MEZZANINE STACK HEIGHT.
DIM "L" RANGES FROM 21.02-31.02 mm IN 1 mm INCREMENTS.
11. SEE DRAWING 10127274 FOR MATING PCB DETAIL.
12. A SYMBOL B WILL BE NEXT TO ANY DIMENSION, VIEW, OR NOTE WHICH HAS BEEN MODIFIED WITH THE CURRENT DRAWING REVISION.

spec ref	-	dr	Jackie Huang	2014/04/01	projection	mm	size	A2	scale	1:1
tolerance std	ISO 406 ISO 1101	eng	Sunny2 Liu	2016/04/12			ecn no	ELX-DG-22934-1		
TOLERANCES UNLESS OTHERWISE SPECIFIED		chr	Terris Liu	2016/05/20			rel level	Released		
surface	linear	0.X	±0.5	apppr	Pei-Ming Zheng	2016/05/24	product family			
		0.XX	±0.25	Amphenol FCI		title	VERT RECP (8P)		dwg no	10127272
		0.XXX	±0.10	Amphenol FCI		title	HIGH POWER CARD EDGE		rev	B
ASME Y14.5	angular	0°	±2°	cat. no.			Product - Customer Drw	sheet 3 of 3		