

DIGITAL I/O MODULES

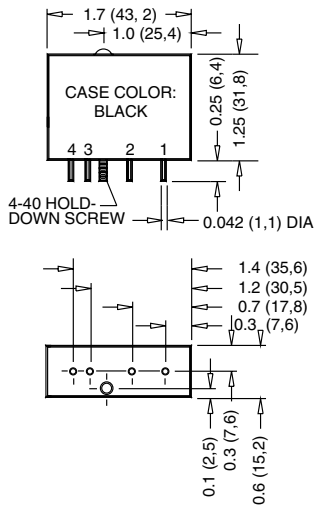
0.6 INCH, M, SM OUTPUT MODULES



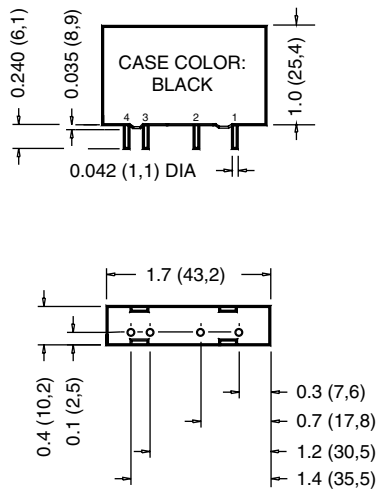
FEATURES:

- CE Compliant
- Available in three physical configurations
- UL Recognized (E46203) / CSA Certified (38595)
- 4 kV Optical Isolation

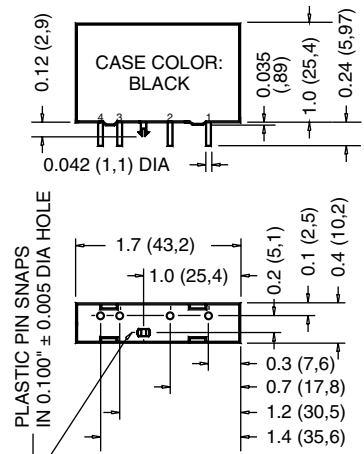
0.6" SERIES



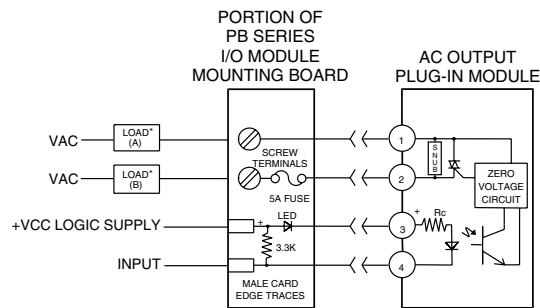
M SERIES



SM SERIES



DIMENSIONS: INCHES (MILLIMETERS)
TOLERANCE: ±0.020 (±0,50)



* LOAD MAY BE WIRED IN LOCATION A OR B

Products and specifications subject to change without notice.
Consult factory for application assistance.

DIGITAL I/O MODULES

0.6 INCH, M, SM OUTPUT MODULES

INPUT SPECIFICATIONS: (1)

Model Number	OACU	SMOACU	Units
	OACUA OACUAH MOACU MOACUA MOACUAH	SMOACUA SMOACUAH	
Nominal Voltage		15	VDC
Minimum Voltage (2)		3	VDC
Maximum Voltage		15	VDC
Drop-Out Voltage		1	VDC
Maximum Current (3)		44	mA
Resistance (4)		360	Ohms

OUTPUT SPECIFICATIONS: (1)

Model Number	OACU	OACUA	OACUAH
	MOACU SMOACU	MOACUA SMOACUA	MOACUAH SMOACUAH
Nominal Line Voltage	120 VAC	240 VAC	240 VAC
Minimum Line Voltage	12 VAC	24 VAC	24 VAC
Maximum Line Voltage	140 VAC	280 VAC	280 VAC
Max Off-State Voltage (5)	400 Vpeak	600 Vpeak	600 Vpeak
Max Off-State Leakage (6)	1.75 mA	1.75 mA	1.75 mA
Static Off-State dv/dt (7)	200 V / μsec	200 V / μsec	200 V / μsec
Maximum Rated On-State Current (8)	3.5 Arms	3.5 Arms	5.0 Arms
Minimum On-State Current	50 mArms	50 mArms	50 mArms
Maximum Surge Current (9)	100 Apeak	100 Apeak	250 Apeak
On-State Voltage Drop or Resistance (10)	1.6 V	1.6 V	1.6 V
H.P. Rating (13)	1/4 H.P.	1/4 H.P.	

GENERAL SPECIFICATIONS: (1)

Model Number	OACU	MOACU	SMOACU	Units
	OACUA OACUAH	MOACUA MOACUAH	SMOACUA SMOACUAH	
Operating Temperature Range		-30 to 80		°C
Storage Temperature Range		-40 to 100		°C
Maximum Turn-on Time (11)		8.33		mSec
Maximum Turn-off Time (11)		8.33		mSec
Input/Output Isolation Voltage (12)		4000		VAC
Input/Output Capacitance (typical)		8		pF
Line Frequency Range		47 to 63		Hertz

TABLE OF MODEL NUMBER SUFFIXES IDENTIFYING OPTIONAL FEATURES

Suffix Feature

Notes:

- (1) Specifications apply to an ambient temperature of -30 to 80°C unless otherwise noted.
- (2) Without external LED status indicator. Add 1.7 volt for external LED if utilized.
- (3) At nominal input voltage, without external LED status indicator.
- (4) +/-10% at 25°C.
- (5) Maximum 1 minute duration for OAC modules when applied as a DC voltage rather than peak AC voltage.
- (6) At maximum line voltage, 25°C for OAC modules.
- (7) Minimum dv/dt per EIA/NARM RS443, method RS397.
- (8) At 40°C, derate OAC modules by 58 mA/°C to 80°C. CSA rating of OAC modules is 3.0 Arms at 40°C.
- (9) At 25°C. Maximum duration: 1 AC cycle for OAC modules.
- (10) At maximum rated on-state current and 25°C.
- (11) At maximum line voltage, maximum rated output current, nominal input voltage, 25°C. Switching speed of OAC modules based upon 60 Hz line frequency.
- (12) At 25°C for 1 second maximum duration.
- (13) 1/4 H.P. at 240 VAC, 1/8 H.P. at 120 VAC.

Products and specifications subject to change without notice.
Consult factory for application assistance.