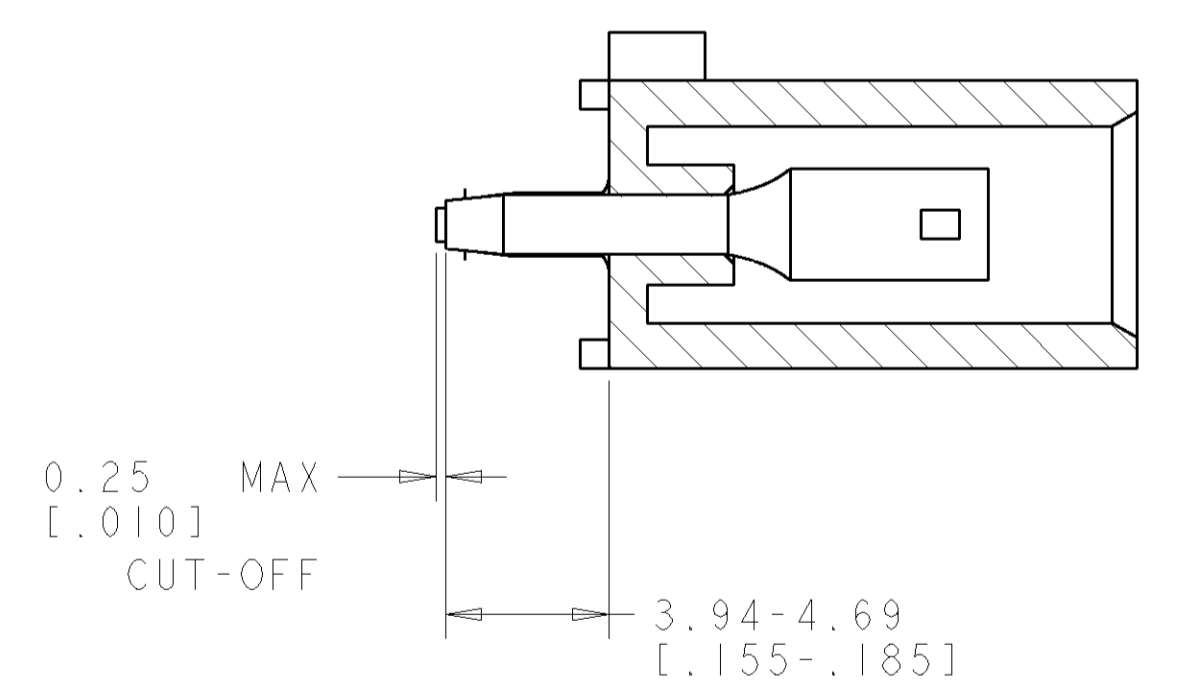
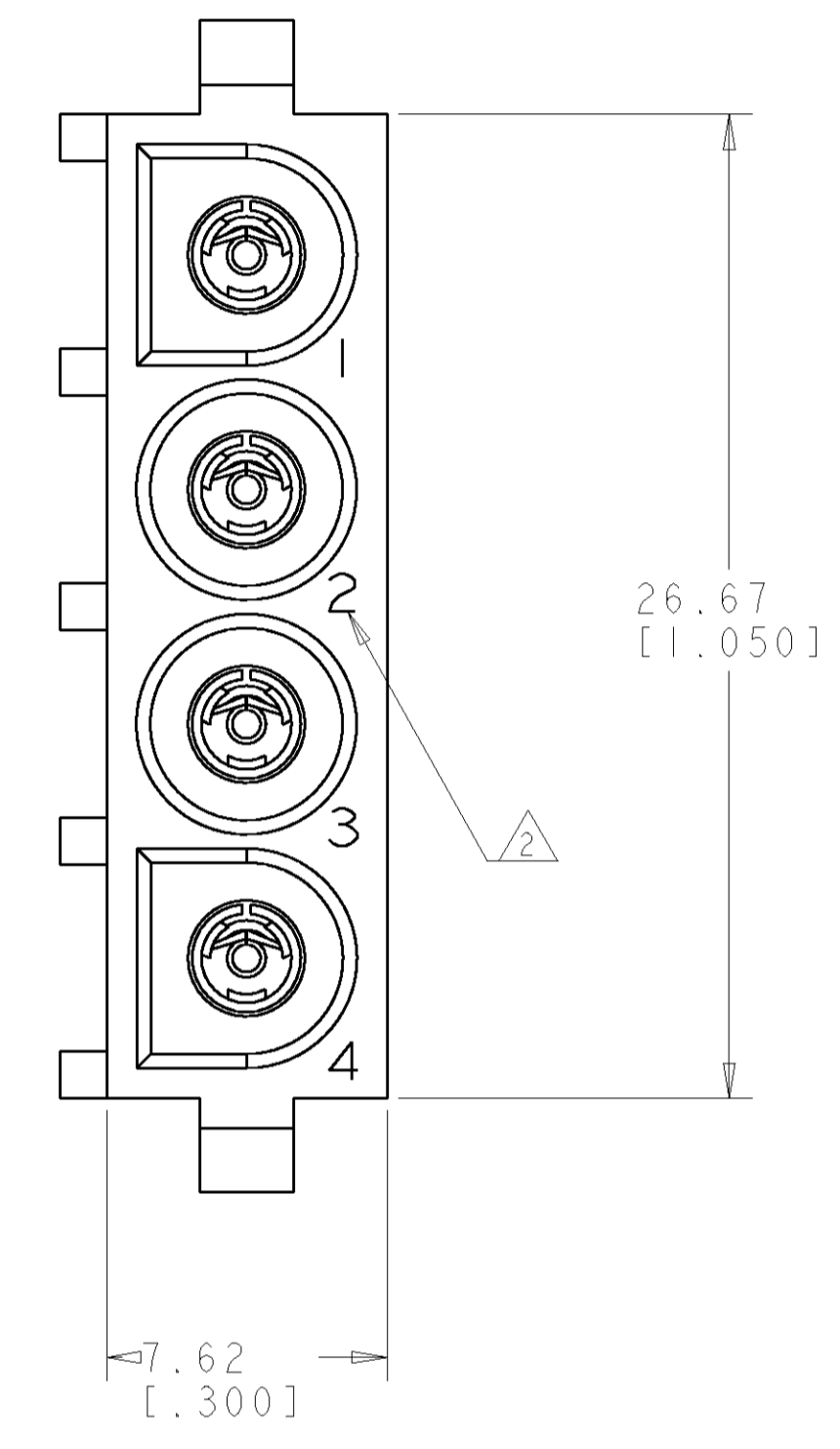
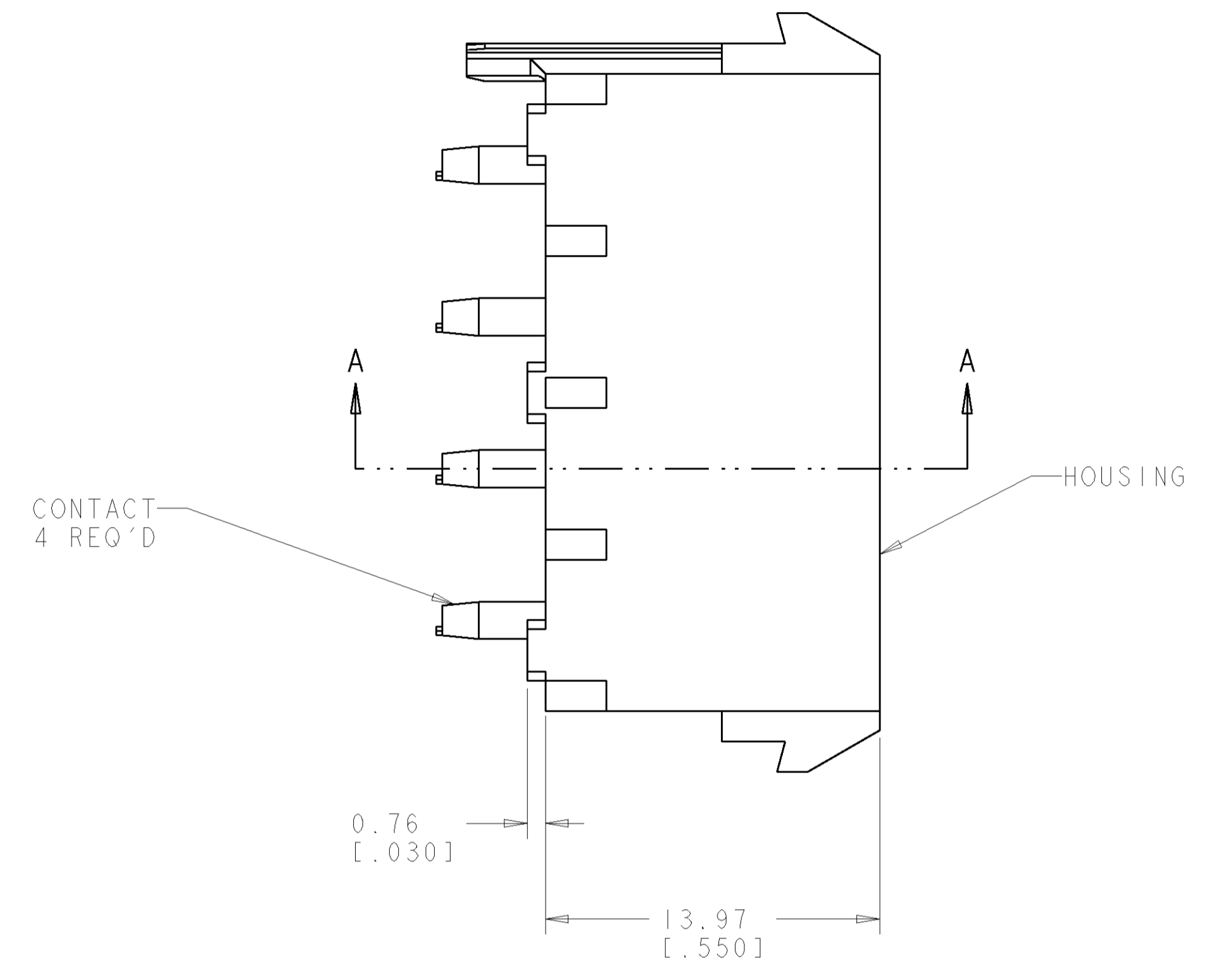
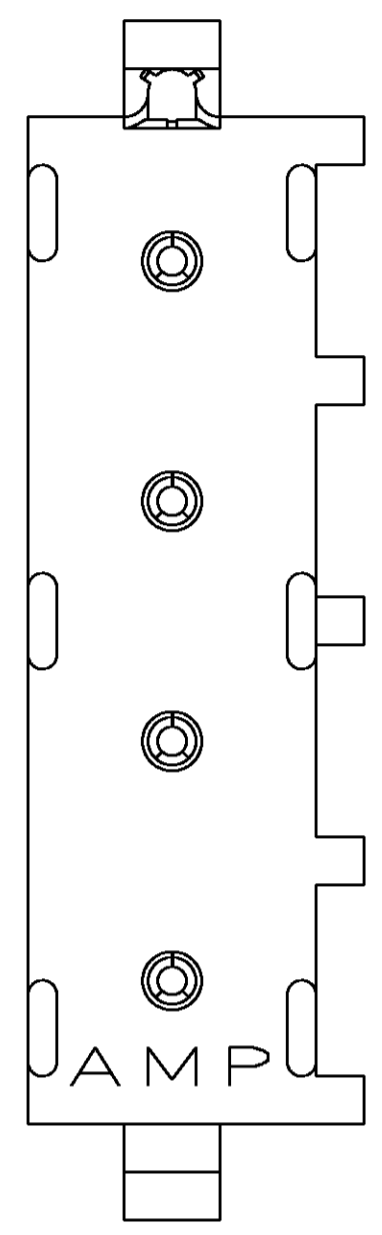
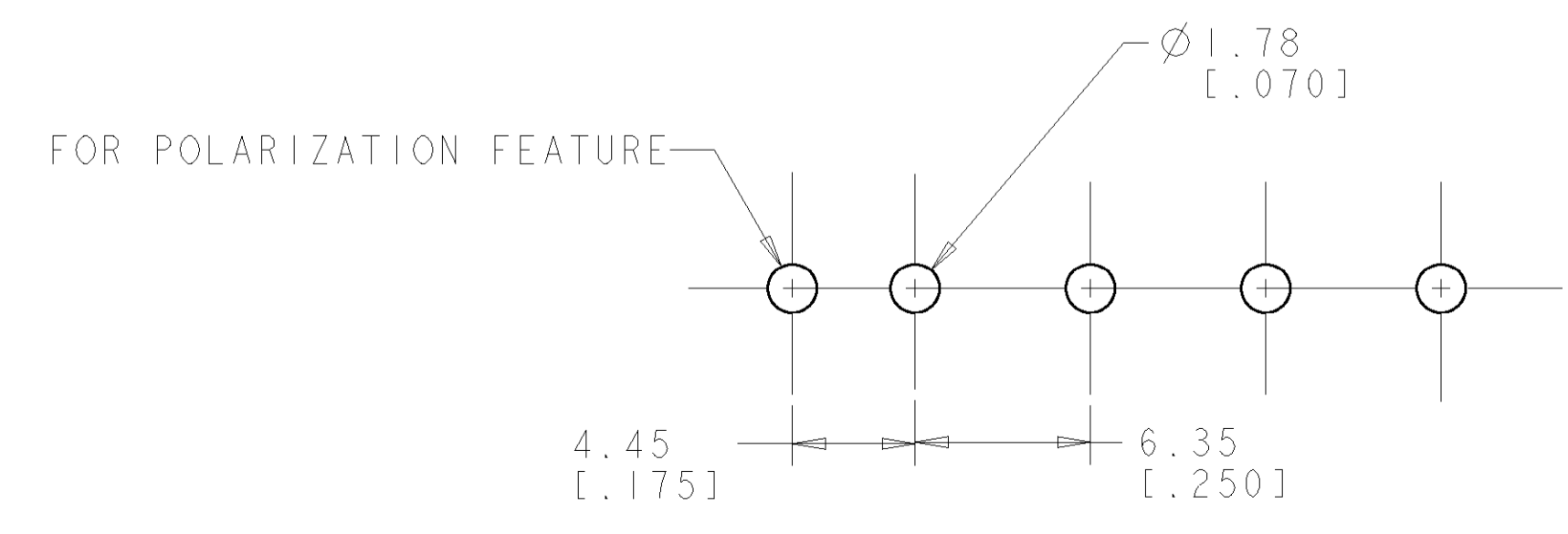


LOC		DIST		REVISIONS			
CM	00	P	LTR	DESCRIPTION	DATE	DWN	APVD
		0		RELEASED PER 0638-0380-01	23-OCT-01	KW	SR

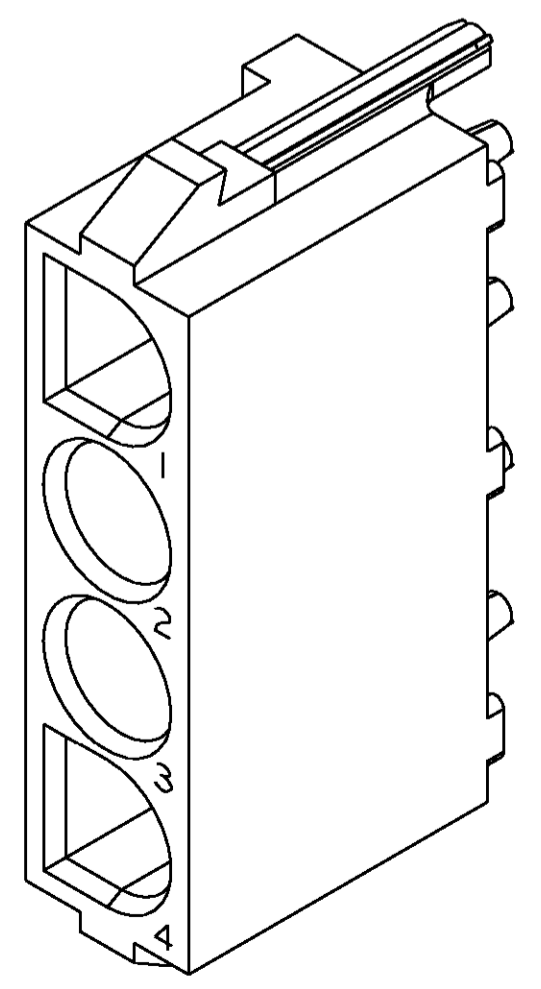
- PARTS COMPLY TO AMP SOLDERABILITY SPECIFICATION 109-11-3.
- CIRCUIT IDENTIFICATION CHARACTERS ARE ADJACENT TO THE INDICATED CAVITIES, BUT LOCATION AND ORIENTATION MAY DIFFER FROM PRINT.
- DIMENSIONS IN BRACKETS ARE IN INCHES.



SECTION A-A

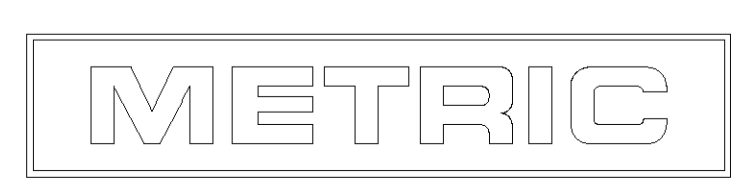


RECOMMENDED MOUNTING HOLE PATTERN FOR 1.57 [.062] THICK P.C. BOARD



3 DIMENSIONAL MODEL
SCALE 4:1

PHOSPOR BRONZE, PRE-TIN PIN CONTACT MATERIAL AND FINISH	NYLON, UL94V-2, NATURAL HOUSING MATERIAL AND COLOR	794891-1 PART NUMBER
--	---	-------------------------



<small>THIS DRAWING IS UNPUBLISHED. RELEASED FOR PUBLICATION. ALL RIGHTS RESERVED. THIS DRAWING IS THE PROPERTY OF TYCO ELECTRONICS CORPORATION. IT IS TO BE USED ONLY FOR THE SPECIFIC APPLICATION AND ORGANIZATION FOR WHICH IT WAS DESIGNED. NO PARTS OR INFORMATION FROM THIS DRAWING ARE TO BE REPRODUCED OR TRANSMITTED IN ANY FORM OR BY ANY MEANS, ELECTRONIC OR MECHANICAL, INCLUDING PHOTOCOPYING, RECORDING, OR BY ANY INFORMATION STORAGE AND RETRIEVAL SYSTEM, WITHOUT PERMISSION IN WRITING FROM TYCO ELECTRONICS CORPORATION.</small>		DWN R. WHITAKER 08-JAN-2001	Tyco Electronics Harrisburg, PA 17105-3608
DIMENSIONS: mm [INCHES]		CEN S. RIDGILL 08-JAN-2001	
TOLERANCES UNLESS OTHERWISE SPECIFIED: 0 PLC ± 1 PLC ± 2 PLC ±0.13(.005) 3 PLC ± 4 PLC ± ANGLES 40°±10°		APVD S. RIDGILL 08-JAN-2001	NAME SOCKET HEADER ASSEMBLY, POLARIZED, 4 CIRCUIT, W/O DRAIN HOLES, UNIVERSAL MATE-N-LOK™
MATERIAL SEE TABLE		PRODUCT SPEC APPLICATION SPEC	SIZE CAGE CODE DRAWING NO. RESTRICTED TO A 00779 C-794891
FINISH SEE TABLE		WEIGHT -	CUSTOMER DRAWING SCALE 5:1 SHEET 1 OF 1 REV 0