

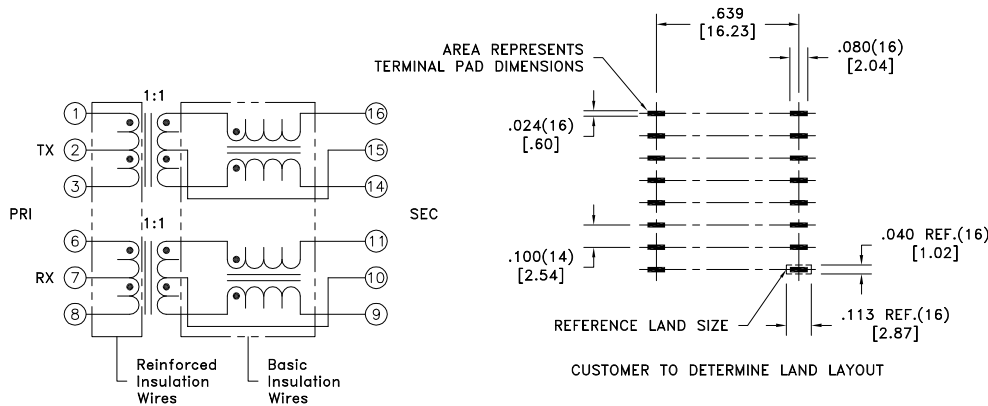
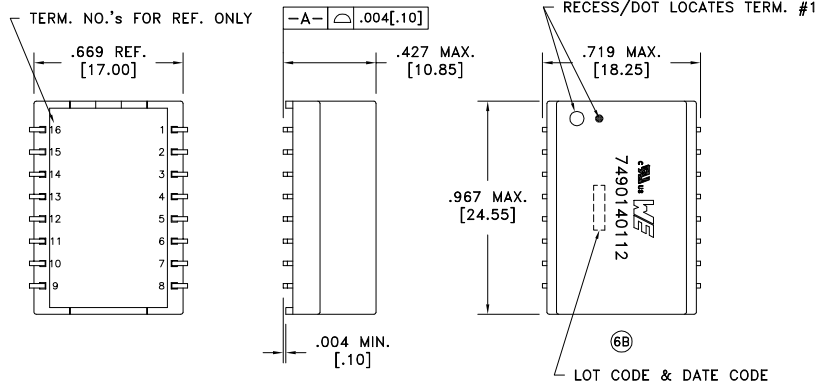
CUSTOMER TERMINAL	RoHS	LEAD(Pb)-FREE
Sn100%	Yes	Yes

more than you expect



ELECTRICAL SPECIFICATIONS @ 25°C unless otherwise noted:

PARAMETER	TEST CONDITIONS	VALUE	
INDUCTANCE	16-14	100kHz, 100mVAC, 8mADC, Lp	350uH min.
INDUCTANCE	11-9	100kHz, 100mVAC, 8mADC, Lp	350uH min.
DIELECTRIC	1-16	tie(1 thru 8, 9 thru 16), 7200Vrms, 1 second	6000Vrms, 1 minute
URNS RATIO		(1-3):(16-14)	1:1, ±2%
URNS RATIO		(6-8):(11-9)	1:1, ±2%
INSERTION LOSS		100k - 100MHz	-1.5dB max.
CROSSTALK		1M - 100MHz	-40dB min.



Design using reinforced insulation wire on PRI side, and using basic insulation wire on SEC side.

6B GENERAL SPECIFICATIONS:

OPERATING TEMPERATURE RANGE: -40°C to +85°C.

COPLANARITY: All 16 terminals must lie on a plane within .004 [.10] of Surface A after lead tinning.

6B Designed to comply with the following requirements as defined by IEC60950-1, EN60950-1, UL60950-1/CSA60950-1 and AS/NZS60950.1:

- Reinforced insulation for a primary circuit at a working voltage of 250Vrms.

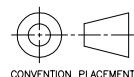
6B Designed to comply with 10mm min. creepage and 7mm min. clearance as defined by IEC60601-1; 2006.

- Provide two means of patient protection up to a working voltage of 250Vrms.

6B

AGENCY NUMBER	
UL60950-1	E205930
CSA60950-1 (Via CUL)	E205930

REV.	DATE	Packaging Specifications Method: Tape & Reel PKG-0670 www.we-online.com/midcom
6B	9/15	
6A	11/11	SEE REVISION SHEET FOR



CONVENTION PLACEMENT

Tolerances unless otherwise specified:
Angles: ±1° Decimals: ±.005 [.13]
Fractions: ±1/64 Footprint: ±.005 [.13]

This drawing is dual dimensioned. Dimensions in brackets are in millimeters.

DRAWING TITLE

TRANSFORMER
EDFP-J16

eiSos p/n: 7490140112



PART NO.

7490140112

SPECIFICATION SHEET 1 OF 1