

THIS DRAWING IS UNPUBLISHED. RELEASED FOR PUBLICATION  
 © COPYRIGHT BY TYCO ELECTRONICS CORPORATION. ALL RIGHTS RESERVED.

LOC	DIST	REVISIONS					
GP	00	P	LTR	DESCRIPTION	DATE	DWN	APVD
			0	RELEASED PER EC 0S13-0207-05	28JUN05	SW	JG

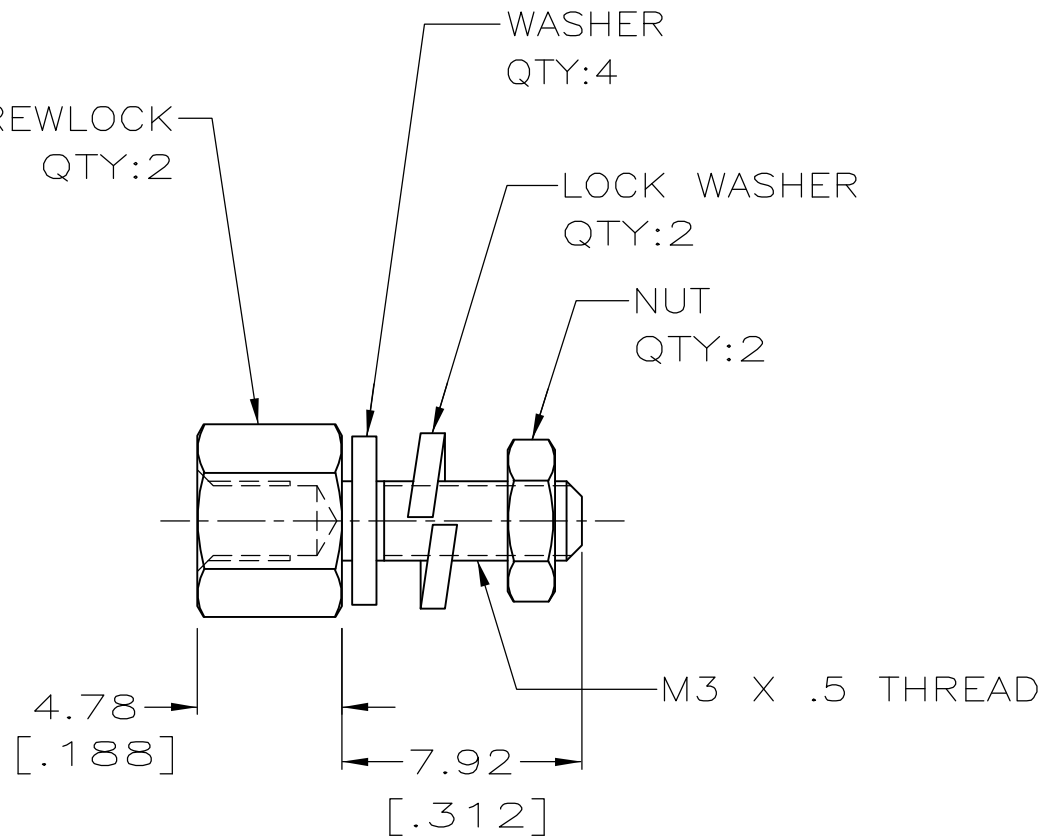
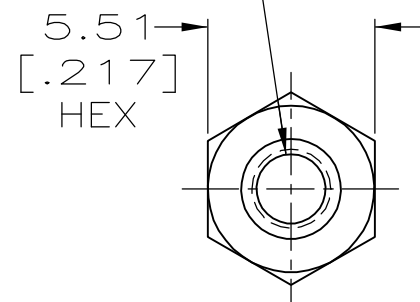
M3 X .5 THREAD  
 3.05 MIN DEPTH  
 [.120]

FEMALE SCREWLOCK  
 QTY:2

WASHER  
 QTY:4

LOCK WASHER  
 QTY:2

NUT  
 QTY:2



1 ZINC PLATED .000200-.000400 THICK,  
 YELLOW CHROMATE COATING.

2 ZINC PLATED .000200-.000400 THICK,  
 CLEAR CHROMATE COATING.

3. PARTS PACKAGED UNASSEMBLED.

4. PARTS PACKED AS A UNIT KIT.

2	5207872-3
1	5207872-1
FINISH	PART NUMBER

THIS DRAWING IS A CONTROLLED DOCUMENT.		DWN	S.WAITMAN	28JUN05	Tyco Electronics Corporation Harrisburg, Pa 17105-3608						
DIMENSIONS: mm [INCHES]		CHK	C.ROHDE	28JUN05							
TOLERANCES UNLESS OTHERWISE SPECIFIED:		APVD	M.WALMSLEY	28JUN05	NAME						
0 PLC ± - 1 PLC ± - 2 PLC ± - 3 PLC ± 0.13 4 PLC ± - ANGLES ± -		PRODUCT SPEC		SCREWLOCK KIT, FEMALE, METRIC, AMPLIMITE							
MATERIAL		APPLICATION SPEC		SIZE			CAGE CODE	DRAWING NO	RESTRICTED TO		
COLD ROLLED STEEL		FINISH		WEIGHT		A3 00779		C=5207872	-		
SEE TABLE		CUSTOMER DRAWING			SCALE		4:1	SHEET	1 OF 1	REV	0