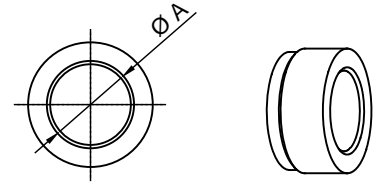
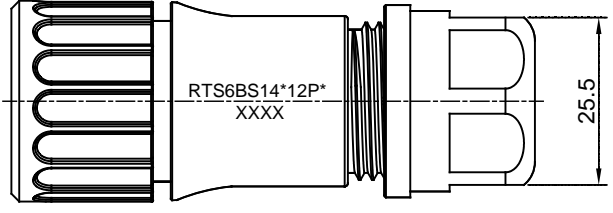
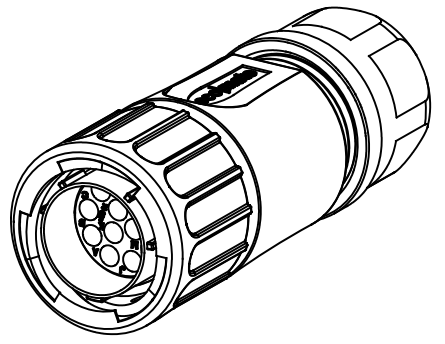
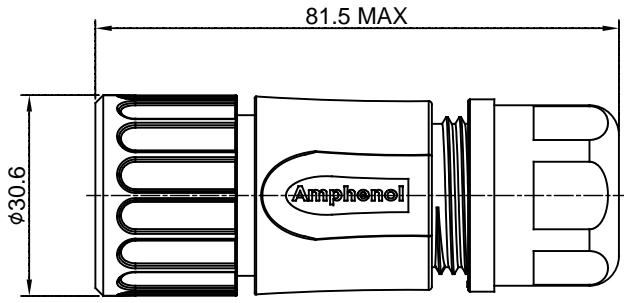
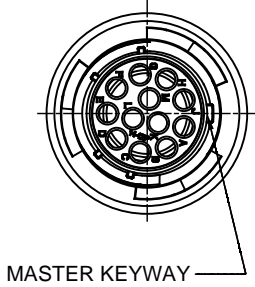


REVISIONS					
REV	ECO	DESCRIPTION	DATE	BY	APPR
A1	--	RELEASED DRAWING	AUG-09-16	JARRY	TOMMY



- NOTES : (UNLESS OTHERWISE SPECIFIED)
- MATERIAL :
    - SHELL : THERMOPLASTIC , UL94 V-0.
    - INSERT : THERMOPLASTIC , UL94 V-0.
    - COUPLING NUT : THERMOPLASTIC , UL94 V-0.
    - O-RING : NBR OR SR.
    - WAVE WASHER : STAINLESS STEEL.
    - BACK SHELL : THERMOPLASTIC , UL94 V-0.
    - CLAMP NUT : THERMOPLASTIC , UL94 V-0.
    - PLASTIC RING : THERMOPLASTIC , UL94 V-0.
    - RUBBER RING : NBR OR SR.
  - SPECIFICATIONS :
    - 2.1 RATED CURRENT : 13A (MAX).
    - 2.2 RATED VOLTAGE : 500V(AC/DC).
    - 2.3 OPERATING TEMPERATURE : SEE CHART.
    - 2.4 DIELECTRIC WITHSTANDING VOLTAGE : LESS THAN 2 MILLIAMPS CURRENT LEAKAGE@2000 VOLTS AC.
    - 2.5 INSULATION RESISTANCE : 5000 MEGOHMS MIN.
    - 2.6 IP CLASS : IP67.
    - 2.7 MATING CYCLES DURABILITY : 500 CYCLES MIN.
    - 2.8 RoHS COMPLIANT.
  - SUITABLE CONTACTS : 16# CONTACTS.
  - ALL DIMENSIONS ARE FOR REFERENCE USE ONLY.

DIMENSION ØA	CABLE OD RARGE
12.3MM	5.0-12.0MM
14.3MM	7.0-14.0MM

KEY	PART NUMBER	
		-40°C ~ +105°C
N	RTS6BS14N12P	RTS6BS14N12P03

QUANTITY	PART NUMBER	DESCRIPTION	ITEM
<b>MATERIALS LIST</b>			
<small>UNLESS OTHERWISE SPECIFIED</small> 1) All dimensions are in metric(mm). 2) Tolerances are as follows: 1 PL DEC ±0.30 Fractions ±1/64 2 PL DEC ±0.15 Angles ±1° 3 PL DEC ±0.08 3) Note reference =		<b>SIGNATURES</b> DRAWN: JARRY CHECKED: ENGINEER: APPROVAL:	<b>DATE</b> AUG-09-16
<b>MATERIAL SPECIFICATIONS:</b> THIS DRAWING IS SUPPLIED FOR INFORMATION ONLY. DESIGN FEATURES, SPECIFICATIONS AND PERFORMANCE DATA SHOWN HEREON ARE THE PROPERTY OF THE AMPHENOL CORPORATION. NO RIGHTS OF REPRODUCTION ARE IMPLIED. ALL DIMENSIONS ARE SUBJECT TO NORMAL MANUFACTURING VARIATIONS.		 Sine Systems - www.amphenol-sine.com 44724 Morley Drive Clinton Township, MI 48036	
<b>PROCESS SPECIFICATIONS:</b>		<b>CUSTOMER:</b> ECO-MATE,PLUG,BACK SHELL, SIZE 14,12POS,PIN	<b>REVISION</b> A1
<b>NEXT ASSY:</b>		<b>SIZE</b> B <b>TYPE</b> C- <b>DWG NO.</b> RTS6BS14*12P*	<b>SCALE</b> NONE <b>SHEET</b> 1 <b>OF</b> 1

TITLE: ECO-MATE,PLUG,BACK SHELL,SIZE 14,12POS,PIN  
 DWG NO: RTS6BS14\*12P\*  
 REV: A1  
 SH: 1  
 OF: 1