

4

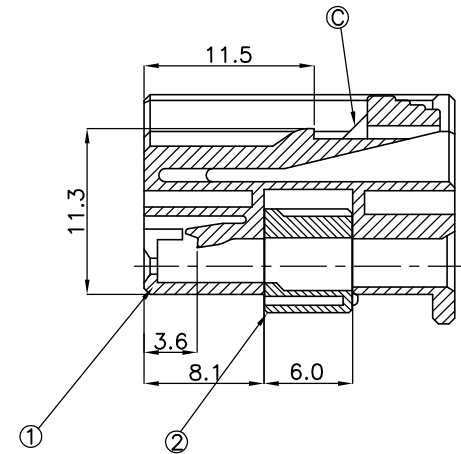
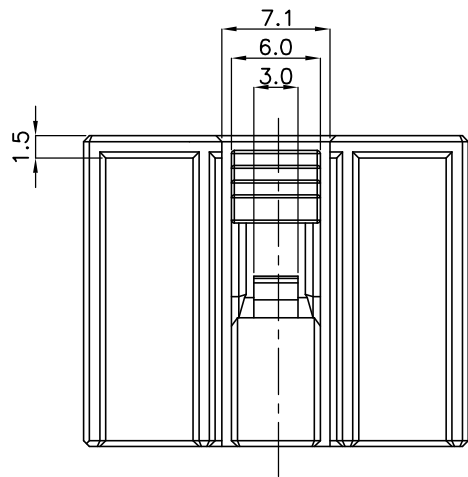
3

2

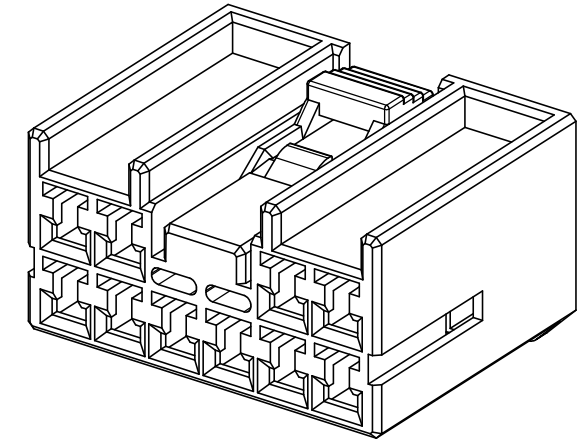
1

THIS DRAWING IS UNPUBLISHED. RELEASED FOR PUBLICATION  
COPYRIGHT BY TYCO ELECTRONICS CORPORATION, ALL RIGHTS RESERVED.

LOC	DIST	REVISIONS					
		P	LTR	DESCRIPTION	DATE	DWN	APVD
DS	-		B1	REVISED (ECR-09-005043)	24.MAR.'09	KT	HG
			C	REVISED (ECR-10-013789)	22.DEC.'10	SJ	HG



SECTION A-A

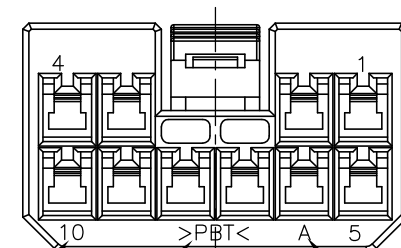
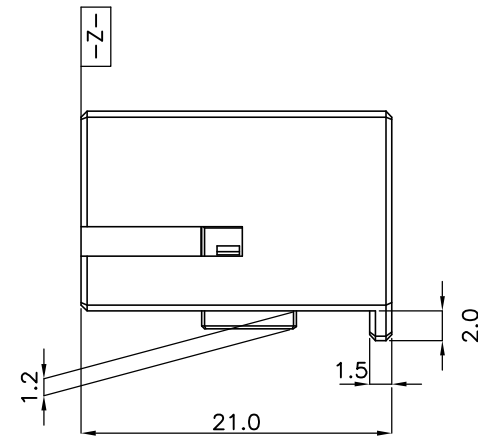
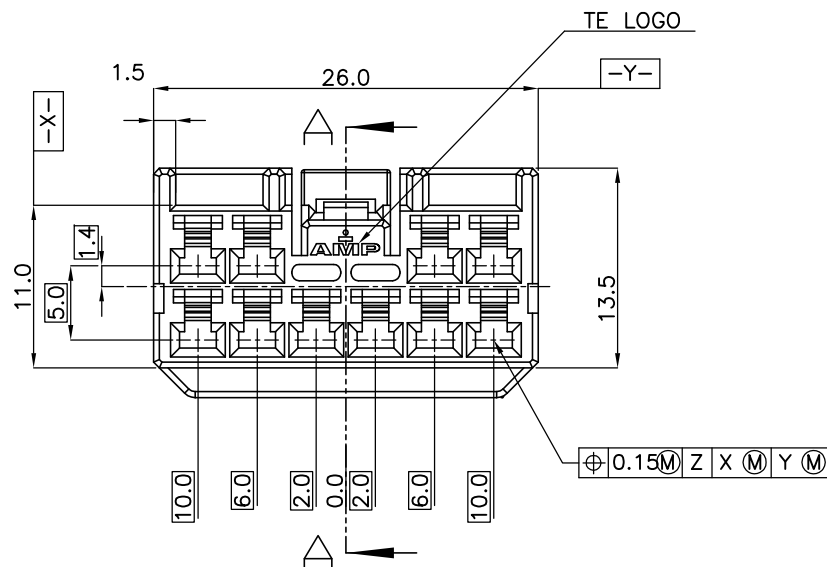


NOTES.

- THE MATING HSG. P/N ; 936129
- APPLIED CONTACT P/N ;  
090 II REC. - 368083, 368084, 368085 (B1) (B1)  
090 III REC. - 1743654, 1743655, 1743656, 1897753, 1897598

-주거-

- 상대 하우스징 P/N. ; 936129
- 적용단자 P/N. ; 090 II REC.- 368083, 368084, 368085 (B1) (B1)  
090 III REC.- 1743654, 1743655, 1743656, 1897753, 1897598



CIRCUIT NO. MATERIAL MARK CAVITY MARK

ASSY P/N
0-936092-8
0-936092-5
0-936092-4
0-936092-3
0-936092-2
0-936092-1

NO	COLOR	MATERIAL	DESCRIPTION	P/N	QTY
1	BLUE	PBT	PLUG	0-936093-8	1
	YELLOW	PBT	PLUG	0-936093-5	1
	BROWN	PBT	PLUG	0-936093-4	1
	D/GRAY	PBT	PLUG	0-936093-3	1
	BLACK	PBT	PLUG	0-936093-2	1
	NATURAL	PBT	PLUG	0-936093-1	1
2	NATURAL	PBT	DBL	0-936094-1	1 1 1 1 1 1

THIS DRAWING IS A CONTROLLED DOCUMENT FOR TYCO ELECTRONICS CORPORATION IT IS SUBJECT TO CHANGE AND THE CONTROLLING ENGINEERING ORGANIZATION SHOULD BE CONTACTED FOR THE LATEST REVISION.

DIMENSIONS: MM	TOLERANCES UNLESS OTHERWISE SPECIFIED: 0 <XX<10 ± 0.2 10<XX<30 ± 0.25 30<XX ± 0.3 ANGLES ± 3°

MATERIAL	FINISH
SEE TABLE	

DWN SJ CHOI  
CHK JW JUNG  
APVD HG CHO  
PRODUCT SPEC -  
APPLICATION SPEC -  
WEIGHT -

**Tyco Electronics** Tyco Electronics  
kyungsan, korea

NAME  
**090III 10P PLUG ASS'Y**

SIZE CAGE CODE DRAWING NO RESTRICTED TO  
A3 00779 C-936092 -

CUSTOMER DRAWING SCALE 2/1 SHEET 1 OF 1 REV C