

THIS DRAWING IS UNPUBLISHED.

RELEASED FOR PUBLICATION

---

LOC

DIST

REVISIONS

© COPYRIGHT - By -

ALL RIGHTS RESERVED.

G

05

P

LTR

DESCRIPTION

DATE

DWN

APVD

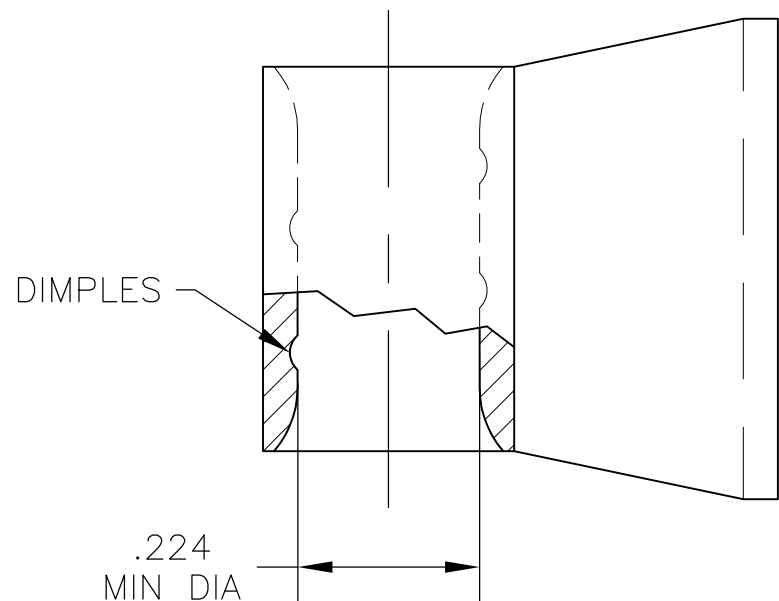
A1

REVISED PER ECO-14-015181

09OCT2014

NK

DR

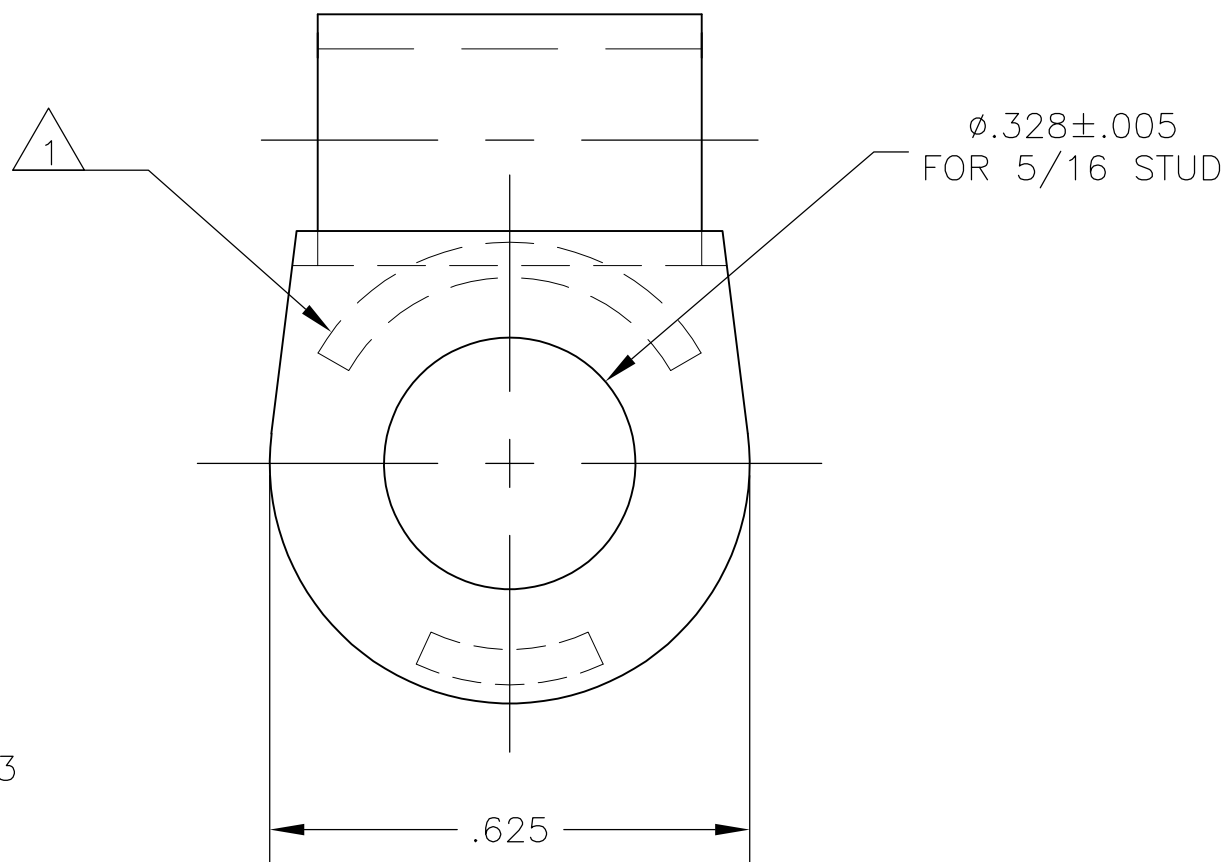
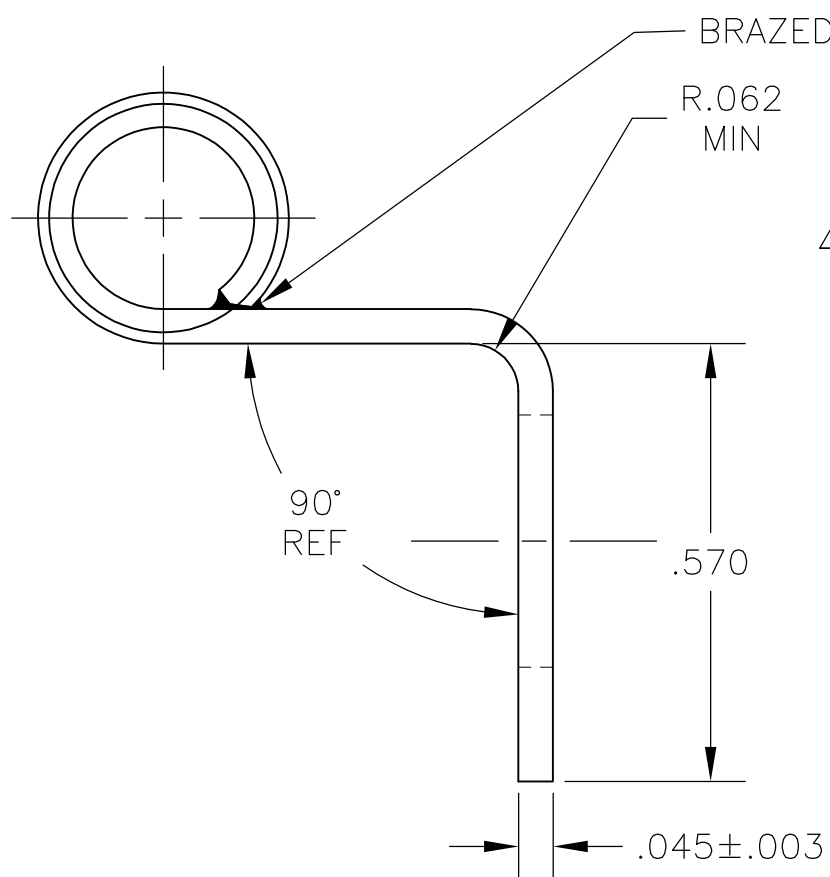


1 STAMP "AMP 6W\* 23-30"  
APPROX AS SHOWN


2 COPPER PER ASTM B-152  
ANNEALED

3 .0000100 MIN THK TIN PLATE  
PER ASTM B-545

4 NOTE DELETED



696787-1  
PART NUMBER

THIS DRAWING IS A CONTROLLED DOCUMENT.		DWN JR RUTH 26MAY05	 TE Connectivity		
DIMENSIONS: INCHES		CHK MJ SPICER 26MAY05			
TOLERANCES UNLESS OTHERWISE SPECIFIED:		APVD MJ SPICER 26MAY05	TERMINAL, RING TONGUE, FLAG, SOLISTRAND, BENT 90, WIRE SIZE: 6 AWG		
0 PLC ± - 1 PLC ± - 2 PLC ± - 3 PLC ± .008 4 PLC ± - ANGLES ± -		PRODUCT SPEC	RESTRICTED TO		
MATERIAL		APPLICATION SPEC	SIZE	CAGE CODE	DRAWING NO
FINISH		WEIGHT	A3	00779	C-696787
2		CUSTOMER DRAWING		SCALE	SHEET
3				4:1	1 OF 1
				REV	A1