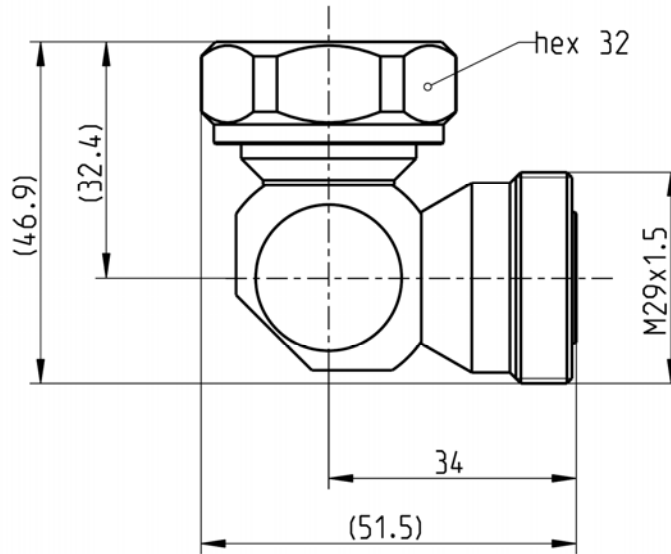
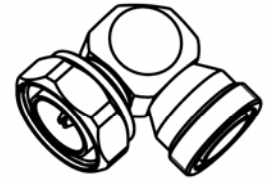


adaptor  
7/16 plug - jack

60S231-K00N1



All dimensions are in mm; tolerances according to ISO 2768 m-H

**Interface**

According to IEC 60169-4, VG 95250, EN 122190, DIN 47223

**Documents**

N/A

**Material and plating**

**Connector parts**

	<b>Material</b>	<b>Plating</b>
Center contact plug side	Brass	Silver, 3-6 µm
Center contact jack side	Spring bronze	Silver, 3-6 µm
Outer contact	Brass	Flash white bronze over silver(e.g. Optargen®)
Body	Brass	Flash white bronze over silver(e.g. Optargen®)
Dielectric	PTFE	
Gasket	Silicone	

adaptor  
7/16 plug - jack

**60S231-K00N1**

**Electrical data**

Impedance	50 Ω
Frequency	DC to 7.5 GHz
Return loss	≥ 33 dB, DC to 2.5 GHz ≥ 30 dB, 2.5 to 4 GHz
Insertion loss	≤ 0.05 dB
Insulation resistance	≥ 10 <sup>4</sup> MΩ
Center contact resistance	≤ 0.4 mΩ
Outer contact resistance	≤ 1.5 mΩ
Working voltage (at sea level)	500 V rms, 50 Hz
Power handling (at 20 °C, sea level, VSWR 1.0)	1800 W @ 1 GHz 800 W @ 4 GHz
RF-leakage	≥ 128 dB up to 1 GHz
Intermodulation (3 <sup>rd</sup> order)	≤ -117 dBm @ 2 x 20 W

**Mechanical data**

Mating cycles	min. 500
Coupling nut retention	≥ 1000 N
Center contact captivation: axial	≥ 200 N
radial	≥ 30 Ncm
Coupling torque (recommended)	25 to 30 Nm
Proof torque	max. 35 Nm

**Environmental data**

Temperature range	-45°C to +85°C
Rapid change of temperature	DIN EN 122190, clause 4.6.7
Corrosion salt mist	DIN EN 122190, clause 4.6.10
Vibration	DIN EN 122190, clause 4.6.3
Damp heat	DIN EN 122190, clause 4.6.6
Climatic tests	DIN EN 122190, clause 4.6.5 (45/85/56)
RoHS	compliant

**Tooling**

N/A

**Suitable cables**

N/A

**Weight**

Weight 280 g/pce

While the information has been carefully compiled to the best of our knowledge, nothing is intended as representation or warranty on our part and no statement herein shall be construed as recommendation to infringe existing patents. In the effort to improve our products, we reserve the right to make changes judged to be necessary.

Draft	Date	Approved	Date	Rev.	Engineering change number	Name	Date
Inge Mühlauer	06/07/04	J_Gramsamer	01.04.15	f00	15-0397	J_Krautenb.	01.04.15
Rosenberger Hochfrequenztechnik GmbH & Co. KG P.O.Box 1260 D-84526 Tittmoning Germany <a href="http://www.rosenberger.de">www.rosenberger.de</a>					Tel.: +49 8684 18-0 email: <a href="mailto:info@rosenberger.de">info@rosenberger.de</a>		Page 2 / 2