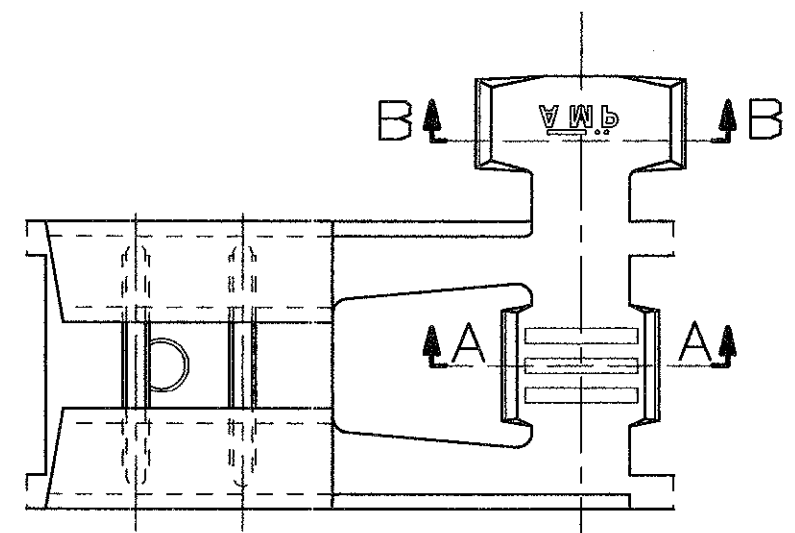
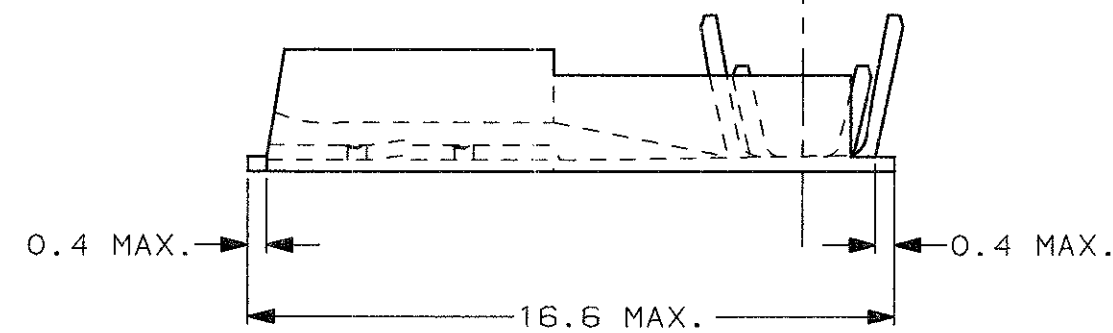
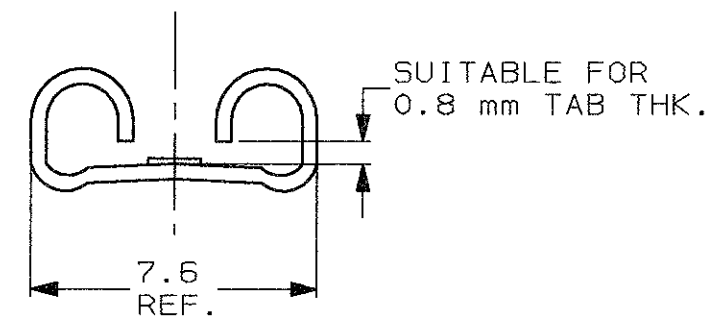


SCALA NON IMPEGNATIVA
(DO NOT SCALE)
DIMENSIONI IN mm
(DIMENSIONS IN mm)

METRIC

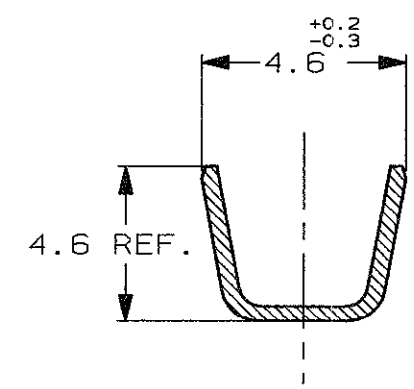
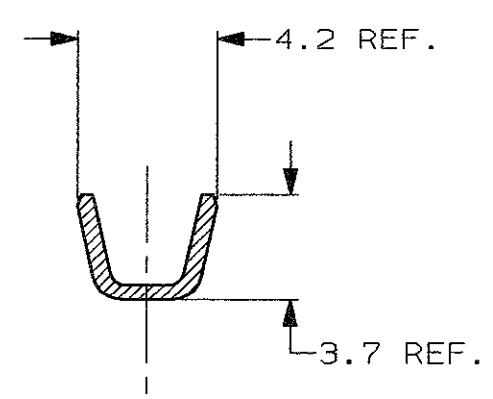


- 1) PER LA VERSIONE IN NASTRO
VEDERE DISEGNO 180388.
(FOR STRIP FORM VERSION SEE DRAWING 180388).
- 2) CONFEZIONAMENTO IN ACCORDO
ALLA SPECIFICA AMP 107-20201.
(PACKAGE ACCORDING TO AMP SPEC. 107-20201).



SECTION A-A

SECTION B-B



STAGNATO (TIN PLATED)	OTTONE (BRASS)	0-180430-2	L
NUDO (UNPLATED)	OTTONE (BRASS)	0-180430-1	L
FINITURA / COLORE (FINISH / COLOUR)	MATERIALE (MATERIAL)	NUMERO (AMP P/N)	REV

CUSTOMER DWG. FOR REFERENCE ONLY **DISEGNO PER CLIENTE SOLO PER RIFERIMENTO**

~~THIS DRAWING IS UNPUBLISHED~~ RELEASE FOR PUBLICATION 19

© COPYRIGHT 19 BY AMP INCORPORATED, HARRISBURG, PA. ALL INTERNATIONAL RIGHTS RESERVED. AMP PRODUCTS MAY BE COVERED BY U.S. AND FOREIGN PATENT AND/OR PATENT PENDING

TOLLERANZE; SE NON DIVERSAMENTE SPECIFICATO (TOLERANCES; UNLESS OTHERWISE SPECIFIED)	DIAM. ISOLANTE (INS. DIA. RANGE)	RANGO FILO (WIRE RANGE)	SCALA (SCALE)
± 0.3	2.0-3.3	0.5-1.5	5:1

ANGOLI (ANGLES) ± 2°

AMP AMP ITALIA S.p.A.
Corso F.lli Cervi, 15
COLLEGNO (TORINO)

DIS. 21 JUN 2001 (DR.) H. YAALI DESCRIZIONE (DESCRIPTION) FASTON® Connector, .250" FLAG REC. CONTACT (LOOSE PIECE VERSION)

CONT. 21 JUN 2001 (CHK) C. TARTARI

REV.	REVISIONI (REVISION RECORD)	DIS. DATA (DR. DATE)	APP. (APP.)
L	OBSOLETE PARTS & REDRAWN ET00-0161-01	H. Y. 04 JUL 2001	

LOC. SIZE NUMERO (DWG NO) REV. FOGLIO (SHEET)

I A3 C-180430 L 1 DI (OF) 1

DISTRIBUZIONE (PRINT DIST.)