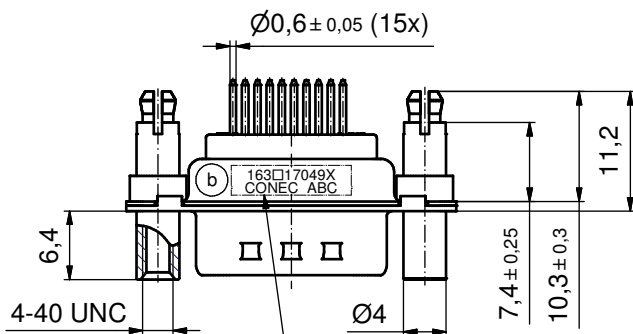
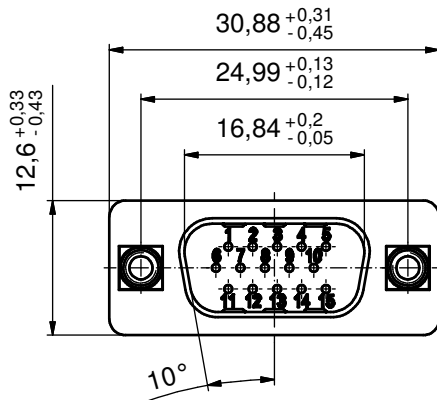
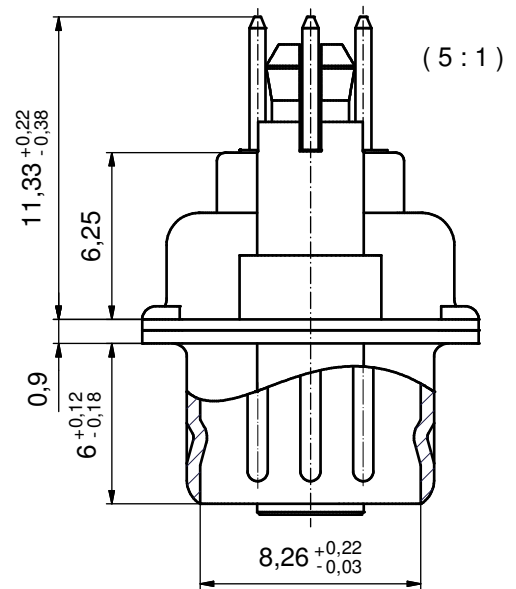
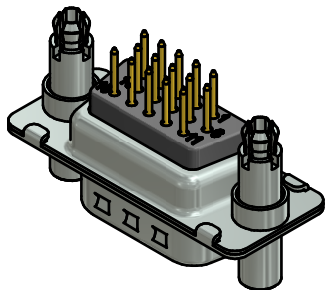
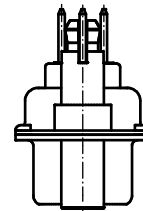


P.C.B. HOLE DRILLINGS  
(P.C.B. TOP SIDE)



SEE NOTE 7



NOTES:

1. METALSHELLS: STEEL; min. 315µm TIN over 40-80µm NICKEL
2. INSULATORS: PBT GF UL 94 V-0, BLACK
3. CONTACTS: COPPER ALLOY; PLATING (SEE PART NO.):
  - PLEASE ADD A for GOLD FLASH over NICKEL (PREFERRED TYPE)
  - PLEASE ADD B for 20µm HARD GOLD over min. 50µm NICKEL
  - PLEASE ADD C for 30µm HARD GOLD over min. 50µm NICKEL
4. THREADED LOCK AND SPACER CLIPS:
  - COPPER ALLOY; min. 200µm TIN over 80µm NICKEL
  - PCB-HOLE:  $\varnothing 3,1 \pm 0,1$ ; PCB THICKNESS 1,6mm
5. COLLARS: COPPER ALLOY; min. 200µm TIN over 80µm NICKEL
6. MAXIMUM TORQUE VALUE FOR THREAD: 6 in.LB
7. CONNECTOR IS PART MARKED: 163□17049X CONEC ABC (see note 3)

Directive 2002/95/EC RoHS compliant

THIS DRAWING MAY NOT BE COPIED OR REPRODUCED IN ANY WAY, AND MAY NOT BE PASSED ON TO A THIRD PARTY WITHOUT WRITTEN PERMISSION. OWNERSHIP AND COPYRIGHT OF CONEC GmbH DO NOT ALTER CAD DRAWING BY HAND	tolerance			dim. in mm	scale: 2:1 (5:1)
					material: SEE NOTES
	drawn	29.03.06	Lehmenkühler	title: <b>D-SUB HD MALE</b> 15pos. SOLDER PIN STRAIGHT with threaded lock and spacer clip	
	appd.	29.03.06	Mickenbecker		
	norm				
3 x b	A5034	03.01.2014	K.H.	dwg no:	DIN-A3
a	Original			16K1A1785	sh: 1
rev.	description	date	name	part no: 163□17049X (b) (see note 3)	

