

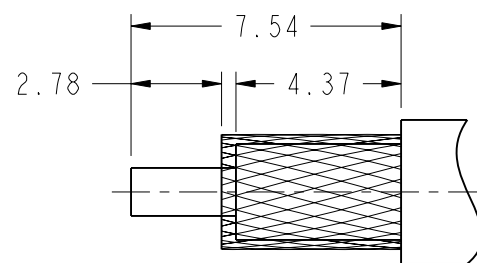
NOTES:

1. MATERIALS AND FINISHES(PLATING THICKNESS IN MICRO-INCHES):
 BODY - BRASS, NICKEL PLATING
 CONTACT - BRASS & BERYLLIUM COPPER, SILVER PLATING
 INSULATOR - PTFE, NATURAL
2. ELECTRICAL:
 A. IMPEDANCE: 50 OHM
 B. FREQUENCY RANGE: DC 0-4 GHz
 C. DIELECTRIC WITHSTANDING VOLTAGE: 1500 VRMS, MIN.
3. MECHANICAL:
 A. DURABILITY: 500 CYCLES MIN.
 B. TEMPERATURE RANGE: -65° C TO +165° C
4. USED WITH CABLES: RG-55/U, 55A/U, 55B/U, 58/U, 58A/U, 58B/U, 58C/U, 141/U, 141A/U, 142/U, 142A/U, 142B/U, 223/U, 400/U.

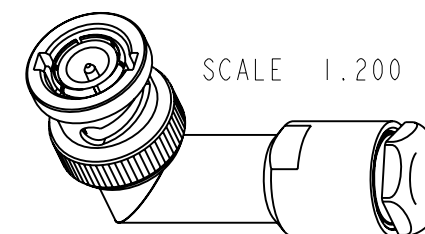
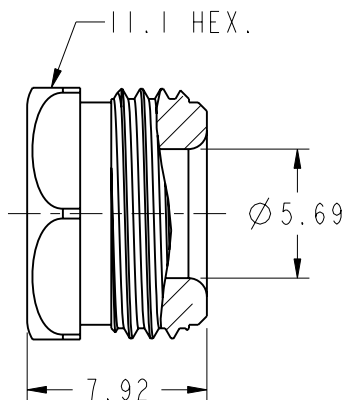
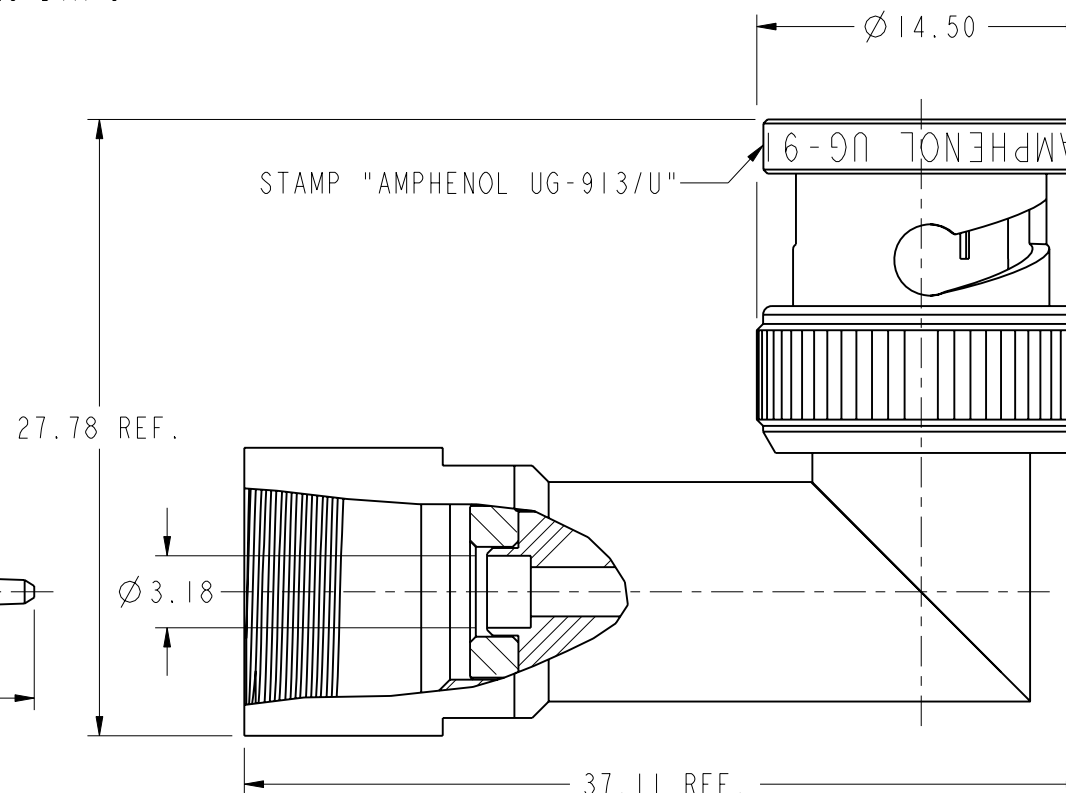
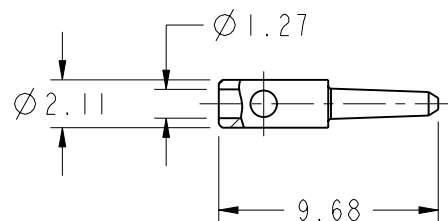
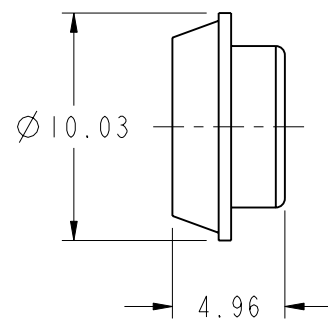
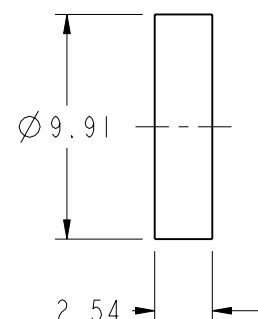
THIRD ANGLE PROJ.

REVISIONS

REV	DESCRIPTION	DATE	ECO	APPR
B	ITEM 1 AND ITEM 3 WERE CHANGED\RD-DM05081801R	18-Aug-05		SH
BI	ITEM 1 WAS CHANGED\N/A	19-Sep-05		SH
C	ITEM 9 WAS CHANGED\RD-DM08021401S	10-Mar-08		AW
AA	SEE SHEET 1	12-Jan-10	47888	SH
AB	SEE SHEET 1	7-Apr-10	48045	SH
AC	STAMP "AMPHENOL" WAS "74868"\RD-DM11120601R3	26-Dec-11	48843	SH



RECOMMENDED
CABLE STRIPPING DIM'S



CUSTOMER OUTLINE DRAWING
ALL OTHER SHEETS ARE FOR INTERNAL USE ONLY

UNLESS OTHERWISE SPECIFIED, DIMENSIONS ARE IN METRIC AND TOLERANCES ARE:
 <0.5mm ±0.05mm 0.5 - 6mm ±0.1mm 6 - 30mm ±0.2mm 30 - 120mm ±0.3mm ANGLES ±1°

NOTICE - These drawings, specifications, or other data (1) are, and remain the property of Amphenol corp. (2) must be returned upon request; and (3) are confidential and not to be disclosed to any person other than those to whom they are given by Amphenol Corp. the furnishing of these drawings, specifications, or other data by Amphenol Corp., or to any other person to anyone for any purpose is not to be regarded by implication or otherwise in any manner licensing, granting rights to permitting such holder or any other sperson to manufacture, use or sell any product, process or design, patented or otherwise, that may in any way be related to or disclosed by said drawings, specifications, or other data.

MATERIAL	DRAWN R. MAO	DATE 12-Dec-11	TITLE BNC PLUG UG-913/U	Amphenol RF Danbury CT USA, Tainan, Taiwan, Shenzhen, China www.amphenolrf.com
REFERENCE	ENGINEER C. WANG	DATE 01-Apr-10		
FINISH	APPROVED S. HSIEH	DATE 12-Dec-11	SCALE: 3.0:1.0	DRAWING NO. 31-204
	CAD FILE		SHEET 2 OF 2	ITEM NO. 31-204
			DWG SIZE B	PART NO. 31-204
			REV AC	