

5

4

3

2

1

受控 CONTROLLED DOCUMENT

编号 P/N	CPFIUG882-CUST	版本 Rev	01	日期 Rel'd Date	Apr29,09
-----------	----------------	-----------	----	------------------	----------

DRAWING NO.

CPFIUG882-CUST

REVISIONS

01 OFFICIAL RELEASE

03-13-09	Z H	Y U	T H	Thomas Chow
----------	--------	--------	--------	----------------

D

Description: BNC Twist-On For RG 59,62

Part No: CPFIUG885

Application: For RG-59, RG-62 Cable

Crimp Tool: N/A

Impedance: 50 Ohms

Frequency Range: 0-4 GHz

Material: Body Brass Nickel plated

Contact Phosphor bronze Gold plated

Insulator Teflon

Nut Zinc Nickel plated

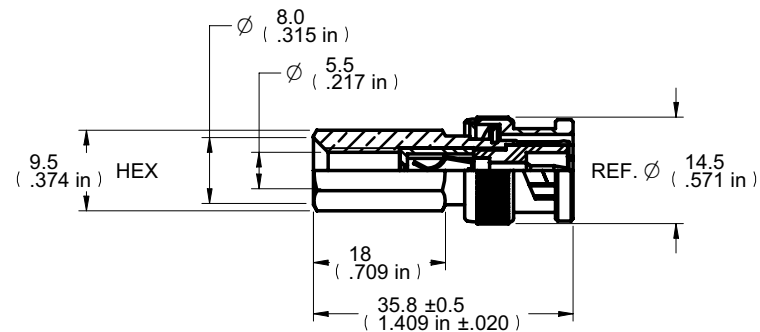
RoHS Compliance: Yes

Technical Detail: Refer to Emerson Document P/N 27-0000

C



B



DIM OUTLINE

A

TOLERANCE UNLESS OTHERWISE SPECIFIED		DRAWN BY GARY.ZHANG	DATE 03-13-09
DECIMALS	mm	CHECKED BY BETTY.YU	DATE 03-13-09
X	± 0.5	APPROVED BY THOMAS	DATE 03-13-09
X.X	± 0.3	U/M	mm
X.XX	± 0.1		
ANGLES	± 0.5°		

THIS DRAWING WAS PRODUCED BY COMPUTER,
DO NOT SCALE DRAWING OR UPDATE MANUALLY.SHEET
1 OF 1DRAWING NO.
CPFIUG882-CUSTSIZE
ATITLE
BNC TWIST-ON FOR RG59,62

CUSTOMER COPY

D

C

B

A

5

4

3

2

1