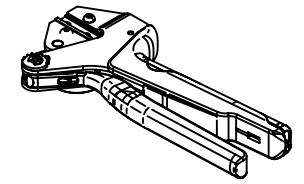
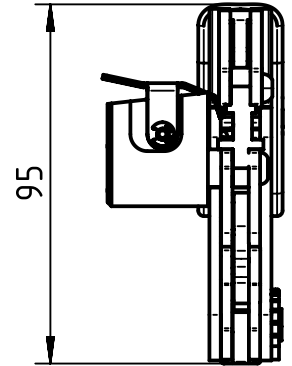
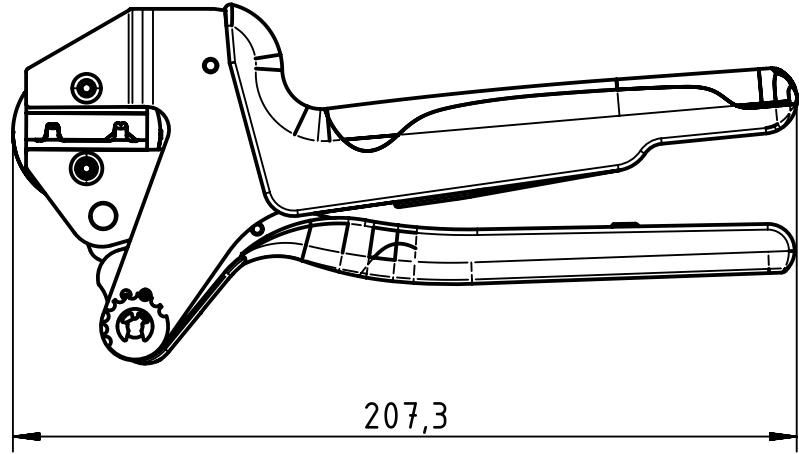


A

B


C

D



cross section range:

- Profil 1 1.5mm²
- Profil 2 2.5mm²

	All rights reserved Department EL PD - DE	All Dimensions in mm Original Size DIN A4		Scale 1:2	Free size tol.		Ref.	
		HARTING Electric GmbH & Co. KG D-32339 Espelkamp		Created by FINKEV	Inspected by RIEPE	Standardisation RUETERA	Date 2015-04-28	State Final Release
Title Crimping Tool Han-Fast Lock 1.5/2.5mm ²							Doc-Key / ECM-Nr. 100617123/UGD/001/B 500000088388	
			Type TB	Number 09 99 000 0881			Rev. B	Page 1/1