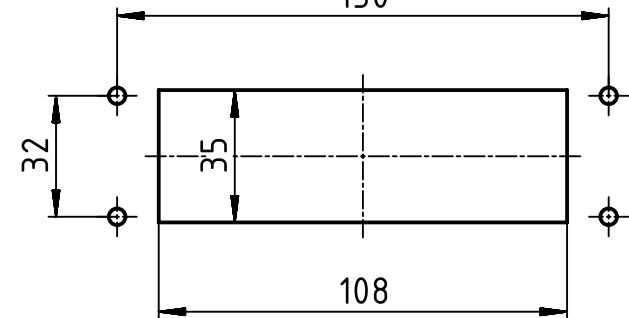


(1:2) panel cut out



	All rights reserved Department EL PD - DE	All Dimensions in mm Original Size DIN A4		Scale 1:1	Free size tol.	Ref.
		HARTING Electric GmbH & Co. KG D-32339 Espelkamp	Created by PRIESTER	Inspected by SCHNIEDER	Standardisation TIEMANNA	Date 2014-03-18
		Title Han 24B-HMC-agg-LB			Doc-Key / ECM-Nr. 100525377/UGD/002/B 500000066520	
		Type TB	Number 09 30 224 0307		Rev. B	Page 1/1