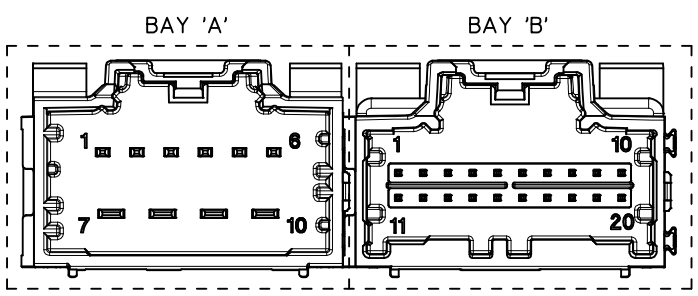




## 2 BAY STAC64 VERTICAL HEADER ASSEMBLY (P/N: 34707-2012 SHOWN)

DIMENSIONAL CHART FOR MULTIBAY CONFIGURATION:

PART NUMBER (TUBE PKG)	PART NUMBER (TRAY PKG)	BAY A			BAY B			DIM 'A'	DIM 'B'	DIM 'C'	DIM 'D'
		CKT	TYPE	POL	CKT	TYPE	POL				
34707-7000	34707-2000	20	0.64mm	A	20	0.64mm	B	66.94	64.47	27.94	27.94
TBD	34707-2001	20	0.64mm	A	20	0.64mm	C	66.94	64.47	27.94	27.94
TBD	34707-2002	20	0.64mm	C	20	0.64mm	D	66.94	64.47	27.94	27.94
TBD	34707-2003	20	0.64mm	C	20	0.64mm	A	66.94	64.47	27.94	27.94
TBD	34707-2004	12	0.64mm	A	20	0.64mm	A	56.78	54.31	17.78	27.94
TBD	34707-2005	12	0.64mm	A	10	HYBRID	A	56.78	54.31	17.78	27.94
TBD	34707-2006	12	0.64mm	B	10	HYBRID	A	56.78	54.31	17.78	27.94
TBD	34707-2007	10	HYBRID	A	20	0.64mm	B	66.94	64.47	27.94	27.94
34707-7012	34707-2012	10	HYBRID	A	20	0.64mm	C	66.94	64.47	27.94	27.94
TBD	34707-2022	20	0.64mm	C	10	HYBRID	A	66.94	64.47	27.94	27.94
TBD	34707-2023	20	0.64mm	A	20	0.64mm	D	66.94	64.47	27.94	27.94
TBD	34707-2030	10	HYBRID	B	10	HYBRID	A	66.94	64.47	27.94	27.94
TBD	34707-2040	12	0.64mm	A	12	0.64mm	B	46.62	44.15	17.78	17.78
TBD	34707-2050	20	0.64mm	A	16	0.64mm	A	61.86	59.39	27.94	22.86
TBD	34707-2060	20	0.64mm	A	12	0.64mm	A	56.78	54.31	27.94	17.78
TBD	34707-2070	16	0.64mm	A	8	0.64mm	C	46.62	44.15	22.86	12.70
34707-7080	34707-2080	12	0.64mm	A	20	0.64mm	B	56.78	54.31	17.78	27.94
TBD	34707-2090	16	0.64mm	A	16	0.64mm	B	56.78	54.31	22.86	22.86



NOTES: VALID UNLESS OTHERWISE SPECIFIED  
1. GENERAL:

a. CONNECTOR HEADER MUST BE VALIDATED TO THE FOLLOWING FUNCTIONAL REQUIREMENTS:

PRODUCT SPECIFICATION:  
8-20 CKT 0.64mm PRODUCT SPEC: PS-34729-100/PS-31408-100  
10/14 CKT HYBRID PRODUCT SPEC: PS-31372-100

b. APPLICATION REQUIREMENTS (REFERENCE ONLY):

APPLICATION SPECIFICATION: AS-34729-020/AS-31408-100

c. PACKAGING SPECIFICATION PER MOLEX DRAWING PK-31300-892 (TRAY)  
d. PACKAGING SPECIFICATION PER MOLEX DRAWING PK-31301-063 (TUBE)

2. DESIGN: MATERIALS:

a. SHROUD (PLASTIC HOUSING):  
RESIN - SPS 30%GF

COLORS:  
POL A - BLACK  
POL B - GRAY  
POL C - BROWN  
POL D - GREEN

b. 0.64mm PINS:  
BASE MATERIAL: C26000  
PLATING TYPE: AS NOTED

150/2.80mm BLADES:  
BASE MATERIAL: C19400  
PLATING TYPE: AS NOTED

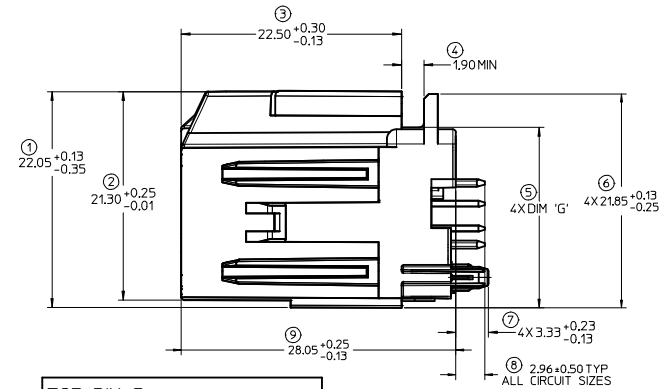
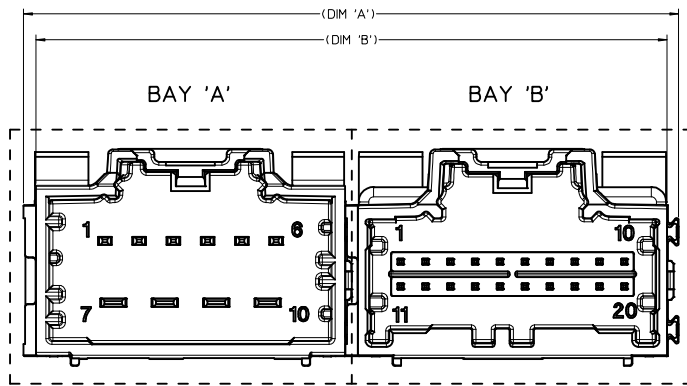
3. PLATING REQUIREMENTS:

a. UNDERPLATING - OVERALL NICKEL  
b. OVERPLATING - OVERALL TIN

4. FOR DESCRIPTION OF INDIVIDUAL BAYS, REFER TO THE FOLLOWING

SINGLE BAY DRAWINGS:  
8-20 CKT 0.64: SD-34690-100  
10 CKT HYBRID: SD-34695-100  
14 CKT HYBRID: SD-34772-200

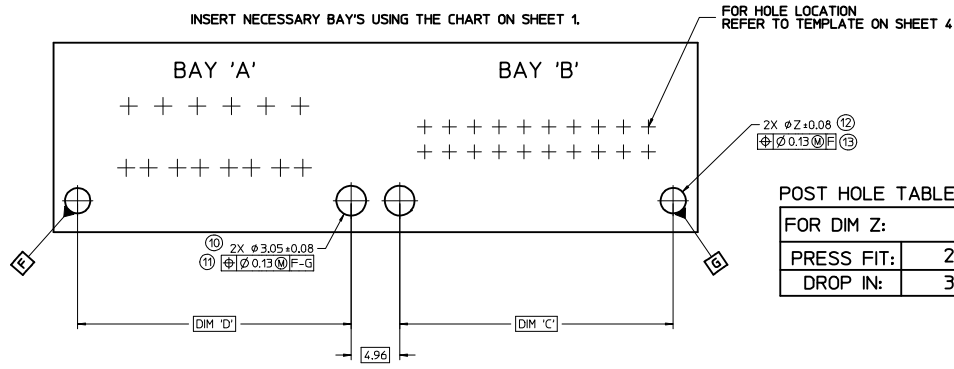
ADDED POL COLOR EC NO: UAU2016-1642 DRAWN: FISCHER01 2016/05/06 CHKD: APPROVAL: 2016/05/10 APPR: RBALMAN	QUALITY SYMBOLS	▽=0 ▽=0	GENERAL TOLERANCES (UNLESS SPECIFIED):	DIMENSION STYLE <b>MM ONLY</b>	SCALE 4:1	DESIGN UNITS METRIC	THIRD ANGLE PROJECTION 	
				mm      INCH 4 PLACES ± ---   ± --- 3 PLACES ± ---   ± --- 2 PLACES ± 0.13   ± --- 1 PLACE ± 0.25   ± --- ANGULAR ± 3 °	DRAWN BY      DATE MBAILEY      9/04/2007 CHECKED BY      DATE CDILLON      9/04/2007 APPROVED BY      DATE SMARCEAU      2010/10/20	<b>2-BAY STAC64 VERTICAL HEADER ASSEMBLY SALES DRAWING</b>		
				DRAFT WHERE APPLICABLE MUST REMAIN WITHIN DIMENSIONS	MATERIAL NO. <b>SEE CHART</b>	<b>MOLEX INCORPORATED</b>		
					SIZE <b>D</b>	DOCUMENT NO. <b>SD-34707-200</b>		



FOR DIM G:		
8-20CKT	0.64mm	18.40 MAX
10/14CKT Hybrid		18.59 MAX

**RECOMMENDED PCB LAYOUT**

INSERT NECESSARY BAYS USING THE CHART ON SHEET 1.



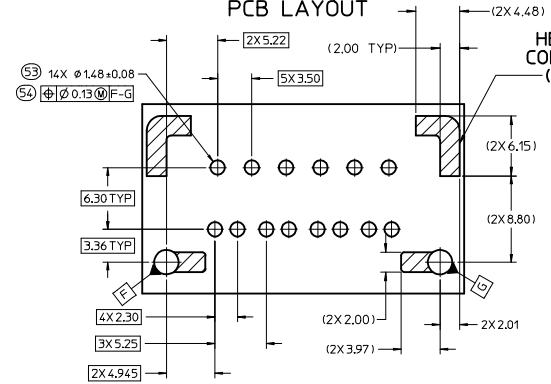
**POST HOLE TABLE:**

FOR DIM Z:	
PRESS FIT:	2.60
DROP IN:	3.05

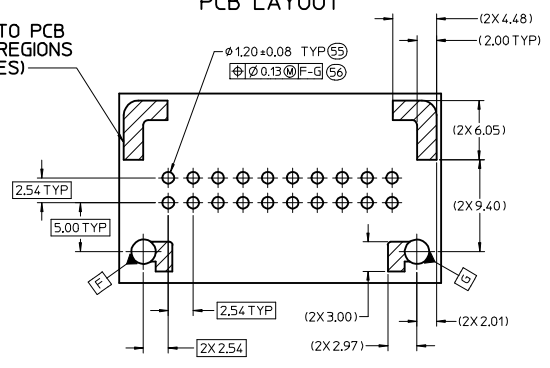
<b>ADDED P/NDIMS:TOL</b> EEC NO: UAU2016-1642 DRAWN: FISCHER01 2016/05/06 CHKD: [Signature] APPR: BRALMAN 2016/05/10 REV:	<b>QUALITY SYMBOLS</b> ▽=0 ▽=0	<b>GENERAL TOLERANCES (UNLESS SPECIFIED)</b> <table border="1"> <thead> <tr> <th></th> <th>mm</th> <th>INCH</th> </tr> </thead> <tbody> <tr> <td>4 PLACES</td> <td>±---</td> <td>±---</td> </tr> <tr> <td>3 PLACES</td> <td>±---</td> <td>±---</td> </tr> <tr> <td>2 PLACES</td> <td>±0.13</td> <td>±---</td> </tr> <tr> <td>1 PLACE</td> <td>±0.25</td> <td>±---</td> </tr> </tbody> </table> ANGULAR ± 3° DRAFT WHERE APPLICABLE MUST REMAIN WITHIN DIMENSIONS		mm	INCH	4 PLACES	±---	±---	3 PLACES	±---	±---	2 PLACES	±0.13	±---	1 PLACE	±0.25	±---	<b>DIMENSION STYLE</b> <b>MM ONLY</b>	<b>SCALE</b> 4:1	<b>DESIGN UNITS</b> METRIC	THIRD ANGLE PROJECTION
		mm	INCH																		
	4 PLACES	±---	±---																		
	3 PLACES	±---	±---																		
2 PLACES	±0.13	±---																			
1 PLACE	±0.25	±---																			
			DRAWN BY: MBAILEY DATE: 9/04/2007 CHECKED BY: CDILLON DATE: 9/04/2007 APPROVED BY: SMARCEAU DATE: 2010/10/20			TITLE: <b>2-BAY STAC64 VERTICAL HEADER ASSEMBLY SALES DRAWING</b>															
			MATERIAL NO: <b>SEE CHART</b>			DOCUMENT NO: <b>MOLEX INCORPORATED</b>															
						SHEET NO: <b>SD-34707-200</b> 2 OF 4															



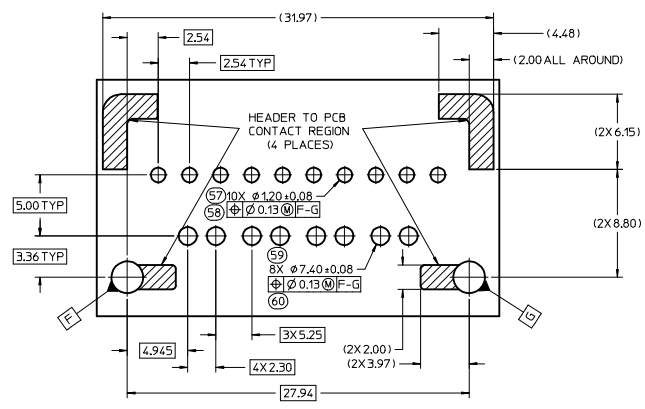
10 CKT HYBRID TEMPLATE  
PCB LAYOUT



8-20 CKT 0.64mm TEMPLATE  
PCB LAYOUT



14 CKT HYBRID TEMPLATE  
PCB LAYOUT

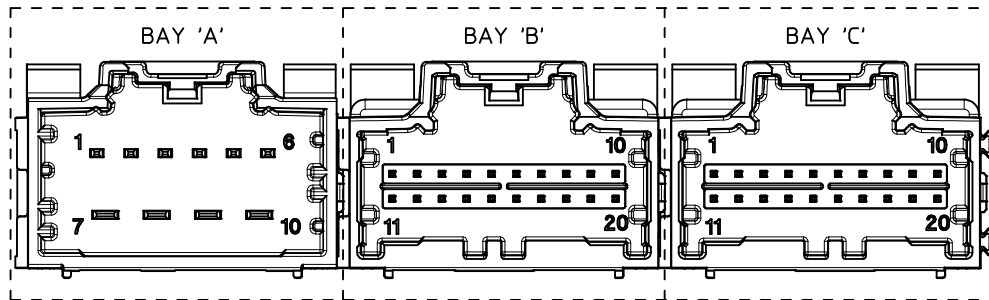


<b>ENTER DESCRIPTION</b> ELEC NO. UAU2016-1642 DRAWN/FISHER01 2016/05/06 CHKD: APPR:RBALMAN 2016/05/10 REV:	QUALITY SYMBOLS ▽=0 ▽=0 ▽=0	GENERAL TOLERANCES (UNLESS SPECIFIED) mm INCH 4 PLACES ± --- ± --- 3 PLACES ± 0.13 ± --- 2 PLACES ± 0.25 ± --- 1 PLACE ± ± --- 0 PLACE ± ± --- ANGULAR ± 3 ° DRAFT WHERE APPLICABLE MUST REMAIN WITHIN DIMENSIONS	DIMENSION STYLE MM ONLY DRAWN BY DATE MBAILEY 9/04/2007 CHECKED BY DATE CDILLON 9/04/2007 APPROVED BY DATE SMARCEAU 2010/10/20	SCALE 4:1 DESIGN UNITS METRIC THIRD ANGLE PROJECTION	TITLE 2-BAY STAC64 VERTICAL HEADER ASSEMBLY SALES DRAWING <b>molex</b>	
	MATERIAL NO. SEE CHART		DOCUMENT NO. SD-34707-200		SHEET NO. 4 OF 4	
	THIS DRAWING CONTAINS INFORMATION THAT IS PROPRIETARY TO MOLEX INCORPORATED AND SHOULD NOT BE USED WITHOUT WRITTEN PERMISSION					
	SIZE D					

DIMENSIONAL CHART FOR MULTIBAY CONFIGURATION:

PART NUMBER (TUBE PKG)	PART NUMBER (TRAY PKG)	BAY A			BAY B			BAY C			DIM 'A'	DIM 'B'	DIM 'C'	DIM 'D'	DIM 'E'
		CKT	TYPE	POL	CKT	TYPE	POL	CKT	TYPE	POL					
TBD	34707-3010	20	0.64mm	A	8	0.64mm	A	16	0.64mm	A	79.52	77.05	22.86	12.70	27.94
TBD	34707-3020	16	0.64mm	B	8	0.64mm	B	20	0.64mm	B	79.52	77.05	27.94	12.70	22.86
TBD	34707-3021	10	HYBRID	A	20	0.64mm	C	20	0.64mm	D	99.84	97.37	27.94	27.94	27.94
TBD	34707-3030	12	0.64mm	A	20	0.64mm	C	20	0.64mm	D	89.68	87.21	27.94	27.94	17.78
TBD	34707-3040	20	0.64mm	A	20	0.64mm	B	20	0.64mm	C	99.84	97.37	27.94	27.94	27.94
TBD	34707-3050	16	0.64mm	A	16	0.64mm	B	16	0.64mm	C	84.60	82.13	22.86	22.86	22.86
TBD	34707-3060	20	0.64mm	B	16	0.64mm	C	10	HYBRID	A	94.76	92.29	27.94	22.86	27.94
TBD	34707-3070	10	HYBRID	A	10	HYBRID	B	10	HYBRID	C	99.84	97.37	27.94	27.94	27.94
TBD	34707-3090	20	0.64mm	A	20	0.64mm	C	8	0.64mm	B	84.60	82.13	27.94	27.94	12.70
TBD	34707-3100	14	HYBRID	A	20	0.64mm	A	20	0.64mm	B	99.84	97.37	27.94	27.94	27.94

3-BAY STAC64 VERTICAL HEADER ASSEMBLY  
(P/N: 34707-3021 SHOWN)



NOTES: VALID UNLESS OTHERWISE SPECIFIED  
1. GENERAL:

a. CONNECTOR HEADER MUST BE VALIDATED TO THE FOLLOWING FUNCTIONAL REQUIREMENTS:

PRODUCT SPECIFICATION:  
8-20 CKT 0.64mm PRODUCT SPEC: PS-34729-020/PS-31408-100  
10/14 CKT HYBRID PRODUCT SPEC: PS-31372-100

b. APPLICATION REQUIREMENTS (REFERENCE ONLY):

APPLICATION SPECIFICATION: AS-34729-020/AS-31408-100

c. PACKAGING SPECIFICATION PER MOLEX DRAWING PK-31300-892 (TRAY)

c. PACKAGING SPECIFICATION PER MOLEX DRAWING PK-31301-063 (TUBE)

2. DESIGN MATERIALS:

a. SHROUD (PLASTIC HOUSING):  
RESIN - SPS 30%GF  
COLOR:  
POL A - BLACK  
POL B - GRAY  
POL C - BROWN  
POL D - GREEN

b. 0.64mm PINS:  
BASE MATERIAL: C26000  
PLATING TYPE: AS NOTED

150/280mm BLADES:  
BASE MATERIAL: C19400  
PLATING TYPE: AS NOTED

3. PLATING REQUIREMENTS:

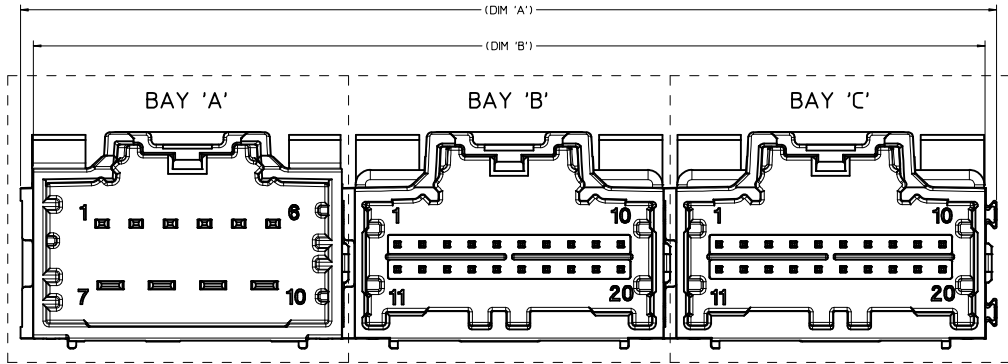
a. UNDERPLATING - OVERALL NICKEL

b. OVERPLATING - OVERALL TIN

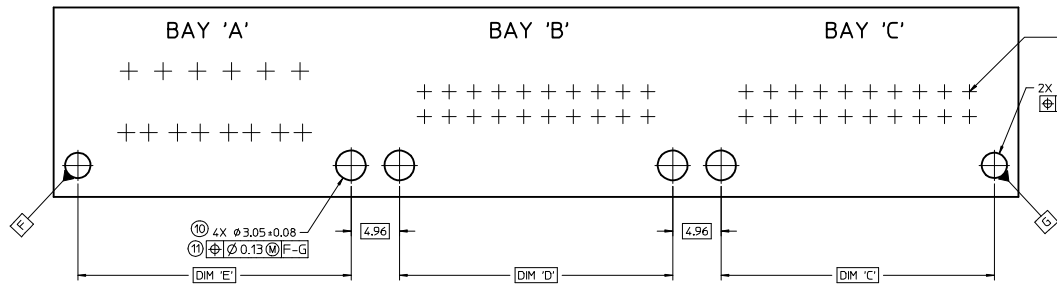
4. FOR DESCRIPTION OF INDIVIDUAL BAYS, REFER TO THE FOLLOWING

SINGLE BAY DRAWINGS:  
8-20 CKT 0.64: SD-34690-100  
10 CKT HYBRID: SD-34695-100  
14 CKT HYBRID: SD-34772-200

ADDED POL COLOR DEC NO: 1/10/2016-1529 DRAWN: FISCHER01 2015/05/14 CHKD: APPROVAL: 2016/04/19 APPR: BRAUN	QUALITY SYMBOLS	GENERAL TOLERANCES (UNLESS SPECIFIED)	DIMENSION STYLE	SCALE	DESIGN UNITS	THIRD ANGLE PROJECTION
	$\nabla=0$ $\nabla=0$	mm INCH 4 PLACES ± --- ± --- 3 PLACES ± --- ± --- 2 PLACES ± 0.13 ± --- 1 PLACE ± 0.25 ± --- ANGULAR ± 1°	MM ONLY	4:1	METRIC	
	DRAFT WHERE APPLICABLE MUST REMAIN WITHIN DIMENSIONS	DRAWN BY: VDANIELE DATE: 9/05/2008 CHECKED BY: CDILLON DATE: 9/05/2008 APPROVED BY: SMARCEAU DATE: 2010/10/20	TITLE: 3-BAY STAC64 VERTICAL HEADER ASSEMBLY SALES DRAWING	MOLEX INCORPORATED	SHEET NO: 1 OF 4	
	SEE CHART	MATERIAL NO: SD-34707-300	DOCUMENT NO:	MOLEX INCORPORATED	THIS DRAWING CONTAINS INFORMATION THAT IS PROPRIETARY TO MOLEX INCORPORATED AND SHOULD NOT BE USED WITHOUT WRITTEN PERMISSION	



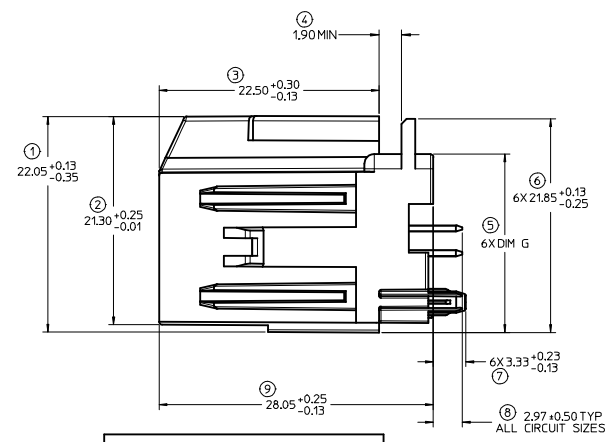
RECOMMENDED PCB LAYOUT  
INSERT NECESSARY BAYS USING CHART ON SHEET 1



FOR PIN LOCATION, REFER TO TEMPLATES ON SHEET 4

2X Ø Z ± 0.05 (12)  
Ø 0.13 (11) F

POST HOLE TABLE:  
FOR DIM Z:  
PRESS FIT: 2.60  
DROP IN: 3.05



FOR DIM G:

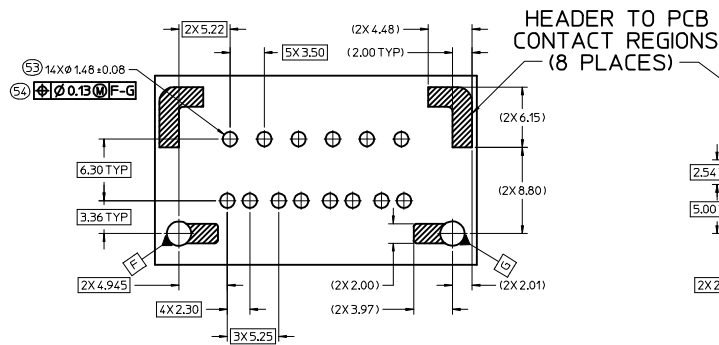
8-20CKT 0.64mm	18.40 MAX
10/14CKT Hybrid	18.59 MAX

OK TO TOOL LEC NO: UAU2016-1529 DRAWN: FISCHER01 2015/05/14 CHKD: APPR:RBBAUMAN 2016/04/19	QUALITY SYMBOLS ▽=0 ▽=0	GENERAL TOLERANCES (UNLESS SPECIFIED): mm INCH 4 PLACES ± --- ± --- 3 PLACES ± --- ± --- 2 PLACES ± 0.13 ± --- 1 PLACE ± 0.25 ± --- ANGULAR ± 1°	DIMENSION STYLE MM ONLY	SCALE 4:1	DESIGN UNITS METRIC	THIRD ANGLE PROJECTION
	DESCRIPTION	DRAFT WHERE APPLICABLE MUST REMAIN WITHIN DIMENSIONS	DRAWN BY VDANIELE 9/05/2008	DATE 9/05/2008	TITLE 3-BAY STAC64 VERTICAL HEADER ASSEMBLY SALES DRAWING	
REV K1			APPROVED BY SMARCEAU 2010/10/20	DATE 2010/10/20	MATERIAL NO. SEE CHART	DOCUMENT NO. SD-34707-300
					MOLEX INCORPORATED	SHEET NO. 2 OF 4

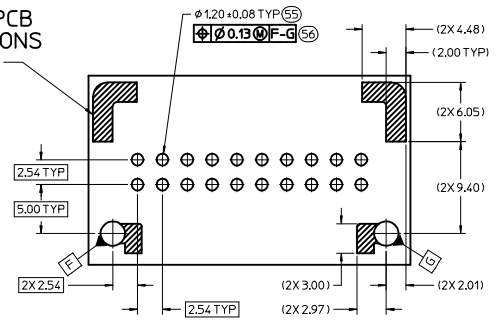




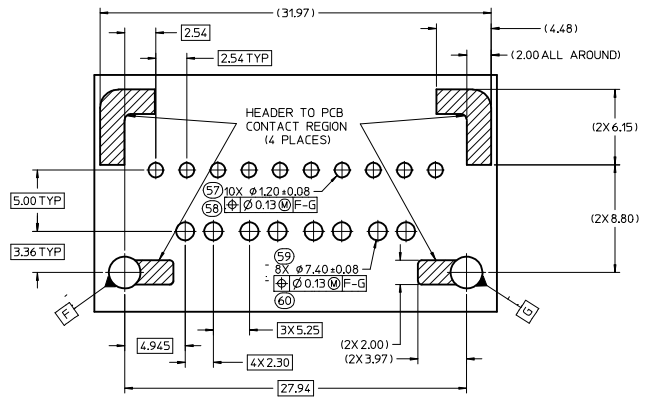
10 CKT HYBRID TEMPLATE  
PCB LAYOUT



8-20 CKT 0.64mm TEMPLATE  
PCB LAYOUT



14 CKT HYBRID TEMPLATE  
PCB LAYOUT

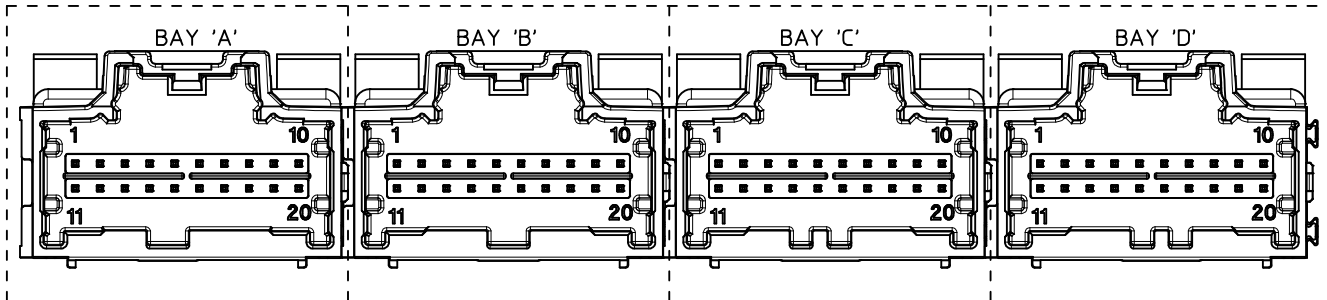


<b>ENTER DESCRIPTION</b> IEC NO. UAU2016-1529 DRAWN/FISCHER01 2015/05/14 CHKD: APPR:BRALMAN 2016/04/19 REV:	QUALITY SYMBOLS	GENERAL TOLERANCES (UNLESS SPECIFIED)	DIMENSION STYLE	SCALE	DESIGN UNITS	THIRD ANGLE PROJECTION
	▽=0	mm INCH	MM ONLY	4:1	METRIC	☉
	▽=0	4 PLACES ± ---	DRAWN BY	DATE	TITLE	
	▽=0	3 PLACES ± ---	VDANIELE	9/05/2008	3-BAY STAC64 VERTICAL HEADER ASSEMBLY SALES DRAWING	
	2 PLACES ± 0.13	CHECKED BY	DATE	DOCUMENT NO.		SHEET NO.
	1 PLACE ± 0.25	CDILLON	9/05/2008	SD-34707-300		4 OF 4
	0 PLACE ± ---	APPROVED BY	DATE	MATERIAL NO.		
		SMARCEAU	2010/10/20	SEE CHART		
		ANGULAR ± 1°		THIS DRAWING CONTAINS INFORMATION THAT IS PROPRIETARY TO MOLEX INCORPORATED AND SHOULD NOT BE USED WITHOUT WRITTEN PERMISSION		
		DRAFT WHERE APPLICABLE MUST REMAIN WITHIN DIMENSIONS				

DIMENSIONAL CHART FOR MULTIBAY CONFIGURATION:

PART NUMBER (TUBE PKG)	PART NUMBER (TRAY PKG)	BAY A			BAY B			BAY C			BAY D			DIM 'A'	DIM 'B'	DIM 'C'	DIM 'D'	DIM 'E'	DIM 'F'
		CKT	TYPE	POL	CKT	TYPE	POL	CKT	TYPE	POL	CKT	TYPE	POL						
34707-9000	34707-4000	20	0.64mm	A	20	0.64mm	B	20	0.64mm	C	20	0.64mm	D	132.74	130.27	27.94	27.94	27.94	27.94
TBD	34707-4010	12	0.64mm	A	20	0.64mm	A	8	0.64mm	A	16	0.64mm	A	102.26	99.79	17.78	27.94	12.70	22.86
TBD	34707-4020	20	0.64mm	D	20	0.64mm	C	20	0.64mm	B	20	0.64mm	A	132.74	130.27	27.94	27.94	27.94	27.94

4 BAY STAC64 VERTICAL HEADER ASSEMBLY  
(P/N: 34707-4000 SHOWN)



NOTES: VALID UNLESS OTHERWISE SPECIFIED

1. GENERAL:

a. CONNECTOR HEADER MUST BE VALIDATED TO THE FOLLOWING FUNCTIONAL REQUIREMENTS:

PRODUCT SPECIFICATION:  
8-20 CKT 0.64mm PRODUCT SPEC: PS-34729-020/PS-31408-100  
10/14 CKT HYBRID PRODUCT SPEC: PS-31372-100

b. APPLICATION REQUIREMENTS (REFERENCE ONLY):

APPLICATION SPECIFICATION: AS-34729-020/AS-31408-100

c. PACKAGING SPECIFICATION PER MOLEX DRAWING PK-31300-892 (TRAY)  
d. PACKAGING SPECIFICATION PER MOLEX DRAWING PK-31301-063 (TUBE)

2. DESIGN: MATERIALS:

a. SHROUD (PLASTIC HOUSING):  
RESIN - SPS 30%GF

b. 0.64mm PINS:  
BASE MATERIAL: C26000  
PLATING TYPE: AS NOTED

150/2.80mm BLADES:  
BASE MATERIAL: C19400  
PLATING TYPE: AS NOTED

3. PLATING REQUIREMENTS:

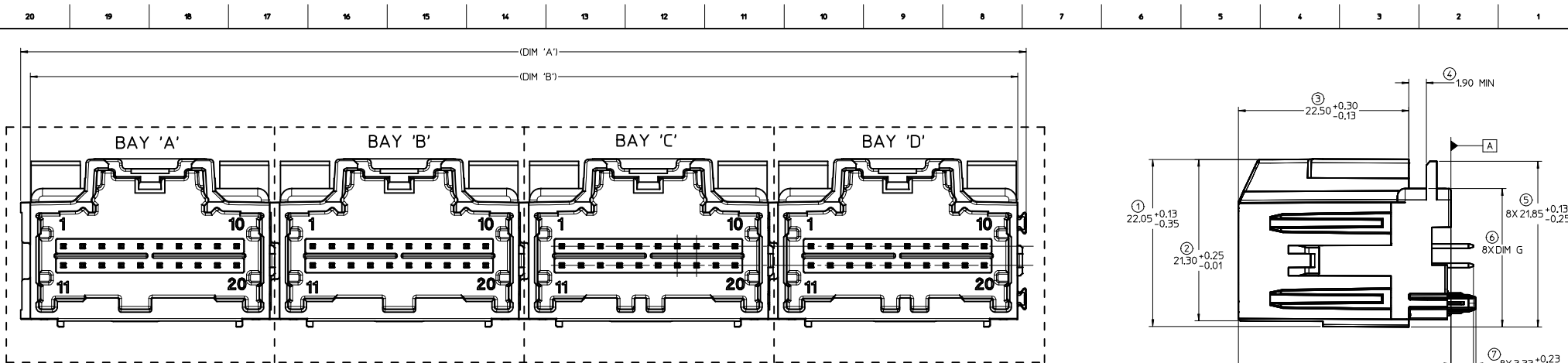
a. UNDERPLATING - OVERALL NICKEL

b. OVERPLATING - OVERALL TIN

4. FOR DESCRIPTION OF INDIVIDUAL BAYS, REFER TO THE FOLLOWING

SINGLE BAY DRAWINGS:  
8-20 CKT 0.64: SD-34690-100  
10 CKT HYBRID: SD-34695-100  
14 CKT HYBRID: SD-34772-200

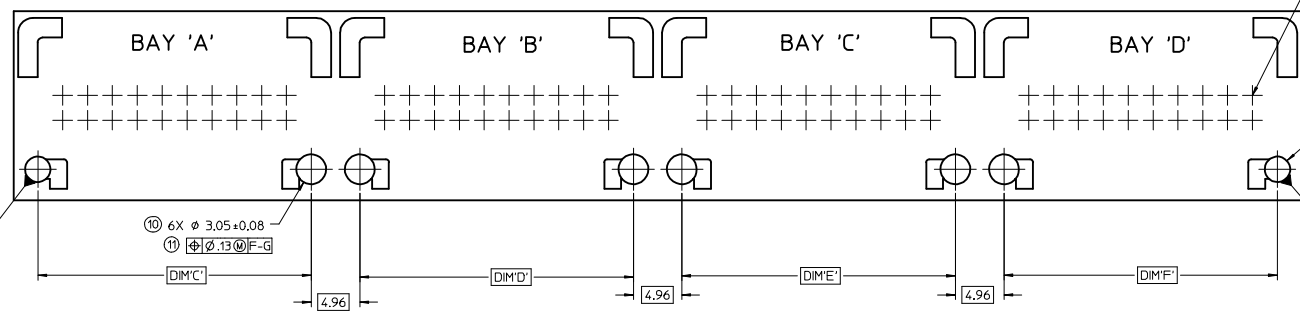
RELEASED DEC NO: 04/2016-1529 DRAWN: FISCHER01 2016/04/14 CHKD: APPROVER: BALMAIN 2016/04/19 D8	QUALITY SYMBOLS ▽=0 ▽=0	GENERAL TOLERANCES (UNLESS SPECIFIED): mm INCH 4 PLACES ±--- ±--- 3 PLACES ±--- ±--- 2 PLACES ±0.13 ±--- 1 PLACE ±0.25 ±--- ANGULAR ± 3°	DIMENSION STYLE MM ONLY DRAWN BY: VDANIELE DATE: 9/05/2008 CHECKED BY: CDILLON DATE: 9/05/2008 APPROVED BY: SMARCEAU DATE: 9/5/2008	SCALE: 4:1 DESIGN UNITS: METRIC THIRD ANGLE PROJECTION	TITLE: 4-BAY STAC64 VERTICAL HEADER ASSEMBLY SALES DRAWING
	DRAFT WHERE APPLICABLE MUST REMAIN WITHIN DIMENSIONS	MATERIAL NO: SEE CHART	MOLEX INCORPORATED	SHEET NO: 1 OF 4	
	THIS DRAWING CONTAINS INFORMATION THAT IS PROPRIETARY TO MOLEX INCORPORATED AND SHOULD NOT BE USED WITHOUT WRITTEN PERMISSION				



FOR DIM G:

8-20CKT 0,64mm	18.40 MAX
10/14CKT Hybrid	18.59 MAX

RECOMMENDED PCB LAYOUT  
INSERT NECESSARY BAY'S USING THE CHART ON SHEET 1



FOR HOLE LOCATION REFER TO TEMPLATES ON SHEET 4

2X  $\phi Z + 0.08$  (12)  
 $\phi \phi .13 \phi F$  (13)

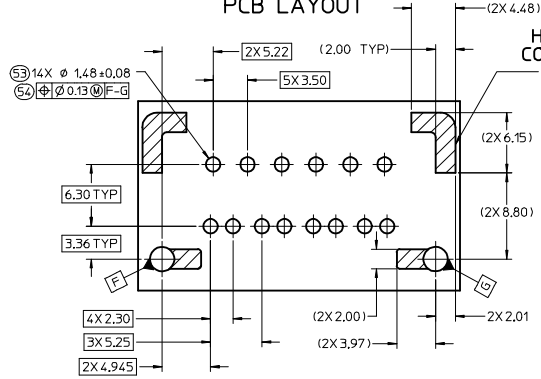
POST HOLE TABLE

FOR DIM Z:	
PRESS FIT	2.60
DROP IN	3.05

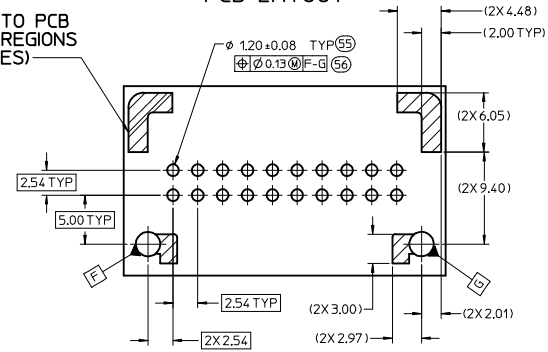
<b>RELEASED</b> IEC NO. UAU2016-1529 DRAWN: FISCHER01 2016/04/14 CHKD: APPR: BRAUMAN 2016/04/19 REV:	QUALITY SYMBOLS	GENERAL TOLERANCES (UNLESS SPECIFIED)	DIMENSION STYLE <b>MM ONLY</b>	SCALE <b>4:1</b>	DESIGN UNITS <b>METRIC</b>	THIRD ANGLE PROJECTION																																	
	$\nabla=0$ $\nabla=0$	<table border="1"> <tr> <th></th> <th>mm</th> <th>INCH</th> </tr> <tr> <td>4 PLACES</td> <td>±---</td> <td>±---</td> </tr> <tr> <td>3 PLACES</td> <td>±---</td> <td>±---</td> </tr> <tr> <td>2 PLACES</td> <td>±0.13</td> <td>±---</td> </tr> <tr> <td>1 PLACE</td> <td>±0.25</td> <td>±---</td> </tr> </table>		mm	INCH	4 PLACES	±---	±---	3 PLACES	±---	±---	2 PLACES	±0.13	±---	1 PLACE	±0.25	±---	<table border="1"> <tr> <td>DRAWN BY</td> <td>DATE</td> </tr> <tr> <td>VDANIELE</td> <td>9/05/2008</td> </tr> <tr> <td>CHECKED BY</td> <td>DATE</td> </tr> <tr> <td>CDILLON</td> <td>9/05/2008</td> </tr> <tr> <td>APPROVED BY</td> <td>DATE</td> </tr> <tr> <td>SMARCEAU</td> <td>9/5/2008</td> </tr> </table>	DRAWN BY	DATE	VDANIELE	9/05/2008	CHECKED BY	DATE	CDILLON	9/05/2008	APPROVED BY	DATE	SMARCEAU	9/5/2008	<table border="1"> <tr> <td>TITLE</td> <td>4-BAY STAC64 VERTICAL HEADER ASSEMBLY SALES DRAWING</td> </tr> <tr> <td>MATERIAL NO.</td> <td>SEE CHART</td> </tr> <tr> <td>DOCUMENT NO.</td> <td>SD-34707-400</td> </tr> <tr> <td>SHEET NO.</td> <td>2 OF 4</td> </tr> </table>	TITLE	4-BAY STAC64 VERTICAL HEADER ASSEMBLY SALES DRAWING	MATERIAL NO.	SEE CHART	DOCUMENT NO.	SD-34707-400	SHEET NO.	2 OF 4
		mm	INCH																																				
	4 PLACES	±---	±---																																				
3 PLACES	±---	±---																																					
2 PLACES	±0.13	±---																																					
1 PLACE	±0.25	±---																																					
DRAWN BY	DATE																																						
VDANIELE	9/05/2008																																						
CHECKED BY	DATE																																						
CDILLON	9/05/2008																																						
APPROVED BY	DATE																																						
SMARCEAU	9/5/2008																																						
TITLE	4-BAY STAC64 VERTICAL HEADER ASSEMBLY SALES DRAWING																																						
MATERIAL NO.	SEE CHART																																						
DOCUMENT NO.	SD-34707-400																																						
SHEET NO.	2 OF 4																																						
DRAFT WHERE APPLICABLE MUST REMAIN WITHIN DIMENSIONS	<table border="1"> <tr> <td>SIZE</td> <td>D</td> </tr> </table>	SIZE	D	<b>MOLEX INCORPORATED</b>																																			
SIZE	D																																						
THIS DRAWING CONTAINS INFORMATION THAT IS PROPRIETARY TO MOLEX INCORPORATED AND SHOULD NOT BE USED WITHOUT WRITTEN PERMISSION																																							



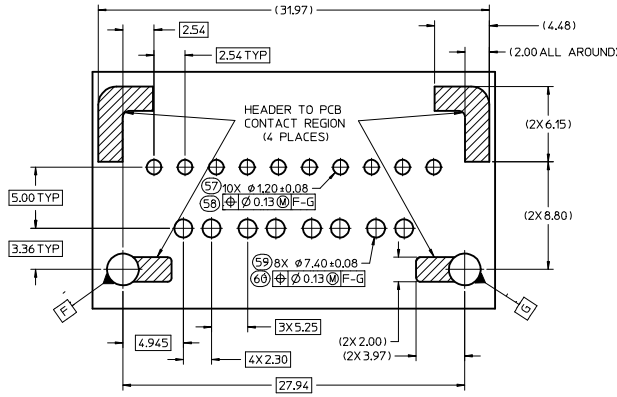
10 CKT HYBRID TEMPLATE  
PCB LAYOUT



8-20 CKT 0.64mm TEMPLATE  
PCB LAYOUT



14 CKT HYBRID TEMPLATE  
PCB LAYOUT



<b>ENTER DESCRIPTION</b> EEC NO. UAU2016-1529 DRAWN/FISCHER01 2016/04/14 CHCKD: APPR:RBALMAN 2016/04/19 REV: D8	QUALITY SYMBOLS	GENERAL TOLERANCES (UNLESS SPECIFIED)	DIMENSION STYLE	SCALE	DESIGN UNITS	THIRD ANGLE PROJECTION
	∇=0 ∇=0 ∇=0	mm INCH 4 PLACES ± --- ± --- 3 PLACES ± --- ± --- 2 PLACES ± 0.13 ± --- 1 PLACE ± 0.25 ± --- 0 PLACE ± --- ± ---	MM ONLY	4:1	METRIC	
	DRAFT WHERE APPLICABLE MUST REMAIN WITHIN DIMENSIONS	ANGULAR ± 3° MATERIAL NO. 999999999	DRAWN BY VDANIELE DATE 9/05/2008 CHECKED BY CDILLON DATE 9/05/2008 APPROVED BY SMARCEAU DATE 9/5/2008	TITLE 4-BAY STAC64 VERTICAL HEADER ASSEMBLY SALES DRAWING molex DOCUMENT NO. SD-34707-400	SHEET NO. 4 OF 4	
	THIS DRAWING CONTAINS INFORMATION THAT IS PROPRIETARY TO MOLEX INCORPORATED AND SHOULD NOT BE USED WITHOUT WRITTEN PERMISSION					