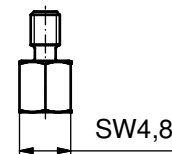
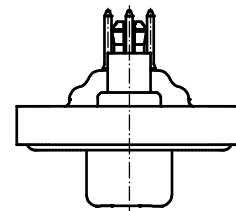
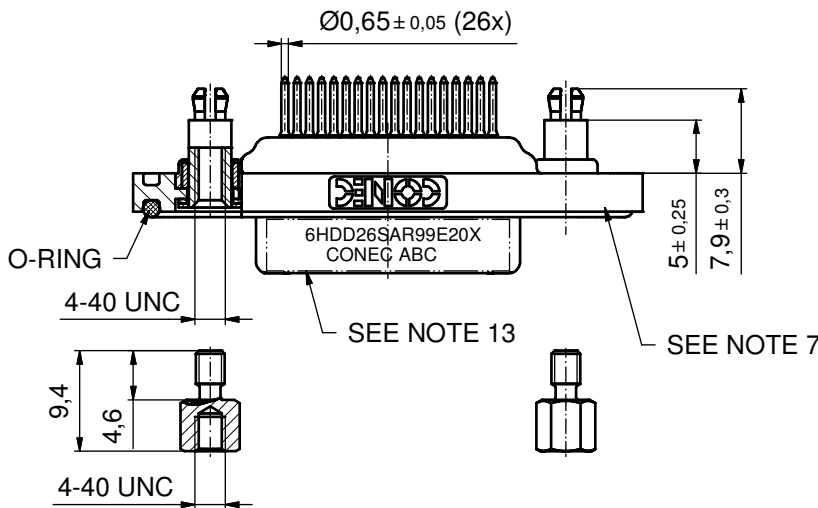
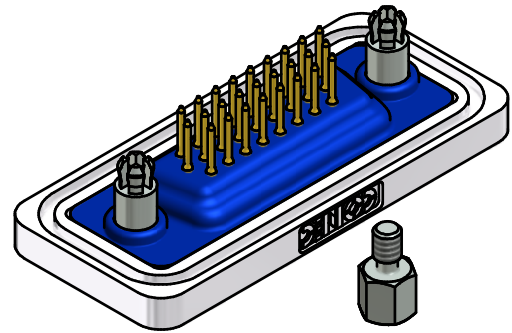
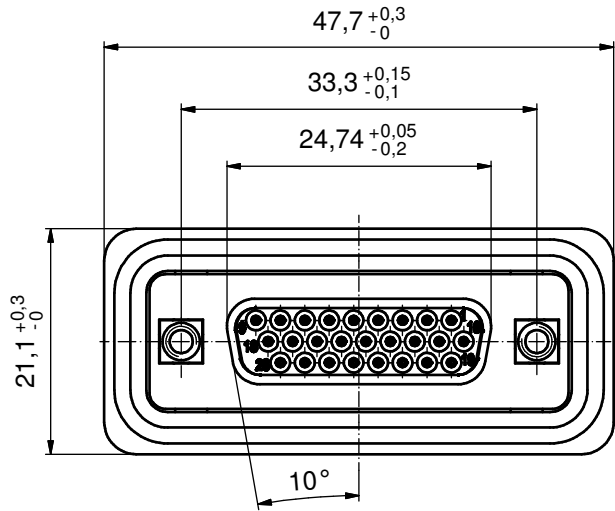
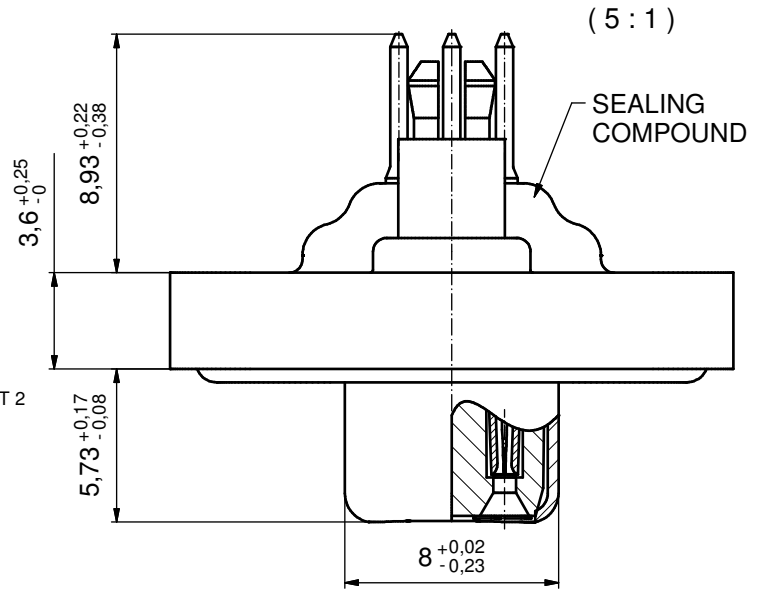


NOTES:

- FOR WAVESOLDERING (SOLDER BATH TEMPERATURE 240°C FOR 5 SEC. AND SOLDER PREHEAT 120°C FOR 120 SEC.)
- METALSHELLS: COPPER ALLOY; min. 315µin TIN over 40-80µin NICKEL
- INSULATORS: PBT GF UL 94 V-0, BLACK
- CONTACTS: COPPER ALLOY  
PLATING: GOLD FLASH over NICKEL
- THREADED SPACER CLIP: COPPER ALLOY;  
min. 200µin TIN over 80µin NICKEL  
PCB-HOLE: Ø3,1±0,1; THICKNESS 1,6mm
- COLLARS: COPPER ALLOY; min. 200µin TIN over 80µin NICKEL
- FRAME: ZINC DIE CAST; NICKEL PLATED
- HEXLOCKING SCREW: STAINLESS STEEL
- O-RING: SILICON; BLUE
- SEALING COMPOUND: PUR; BLUE
- P.C.B. HOLE DRILLINGS AND RECOMMENDED PANEL CUT-OUT ON SHEET 2
- RECOMMENDED TORQUE FOR MOUNTING SCREW 35Ncm (3,1 in.LB) / max. 40Ncm (3,5 in. LB)
- CONNECTOR IS PART MARKED: 6HDD26SAR99E20X CONEC ABC

AT ALL TIMES WATER RESISTANT CONNECTORS NOT IN USE SHOULD BE COVERED WITH A CONEC WATER RESISTANT CAP OR WATER TIGHT HOOD.

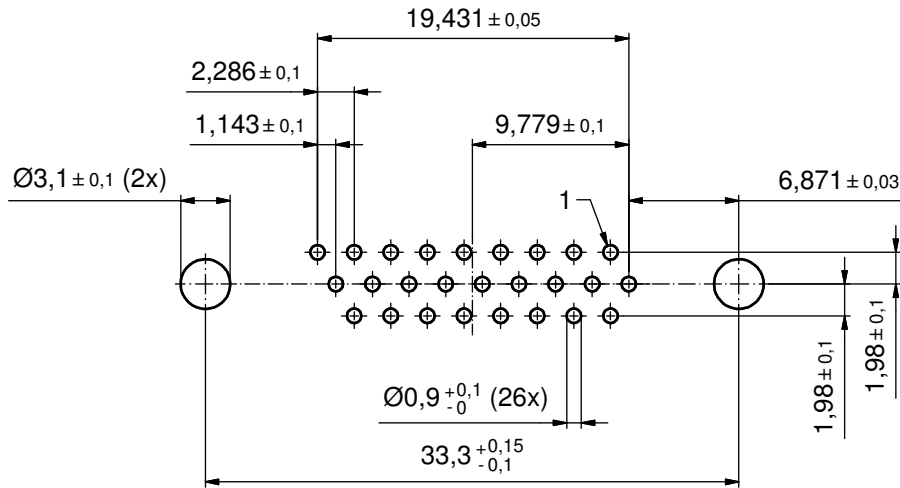


Directive 2002/95/EC RoHS compliant

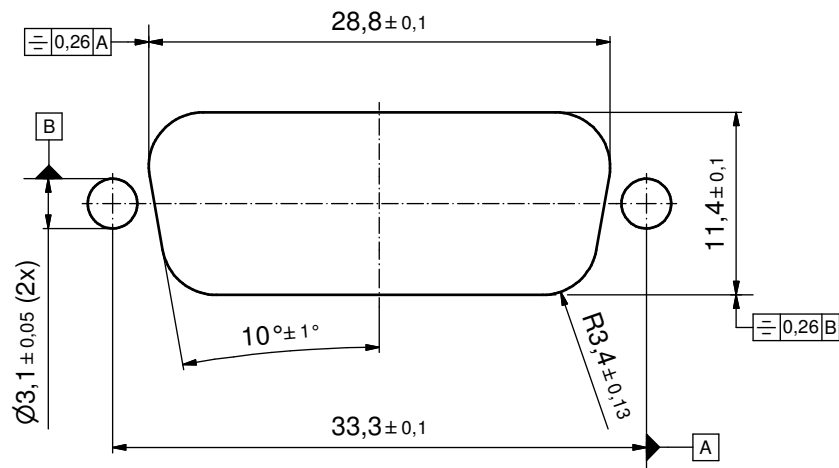
THIS DRAWING MAY NOT BE COPIED OR REPRODUCED IN ANY WAY, AND MAY NOT BE PASSED ON TO A THIRD PARTY WITHOUT WRITTEN PERMISSION. OWNERSHIP AND COPYRIGHT OF CONEC GmbH DO NOT ALTER CAD DRAWING BY HAND	tolerance		dim. in mm		scale:	2:1 (5:1)
					material:	SEE NOTES
	drawn	28.03.12	Henneboel		title: <b>D-SUB HD FEMALE</b> 26pos. SOLDER PIN STRAIGHT with threaded spacer clip and hexlocking screw	
	appd.	28.03.12	Fischer			
	norm			dwg no:		
d-old			part no:	6HDD26SAR99E20X		
rev.	description	date	name	DIN-A3 sh: 1		
a	Original					



P.C.B. HOLE DRILLINGS  
(P.C.B. TOP SIDE)



RECOMMENDED PANEL CUT-OUT



THIS DRAWING MAY NOT BE COPIED OR REPRODUCED IN ANY WAY, AND MAY NOT BE PASSED ON TO A THIRD PARTY WITHOUT WRITTEN PERMISSION. OWNERSHIP AND COPYRIGHT OF CONEC GmbH DO NOT ALTER CAD DRAWING BY HAND				tolerance		scale: 3:1
				dim. in mm		material: see sheet 1
	drawn	28.03.12	Henneboel	date	name	title: P.C.B. HOLE DRILLINGS D-SUB HD FEMALE 26pos. SOLDER PIN with threaded rear spacer clip and hexlocking screw
	appd.	28.03.12	Fischer	norm		
				d-old		
rev.	a	Original	description	date	name	dwg no: 15K1A1022
						DIN-A3 sh: 2
					part no: SEE SHEET 1	