

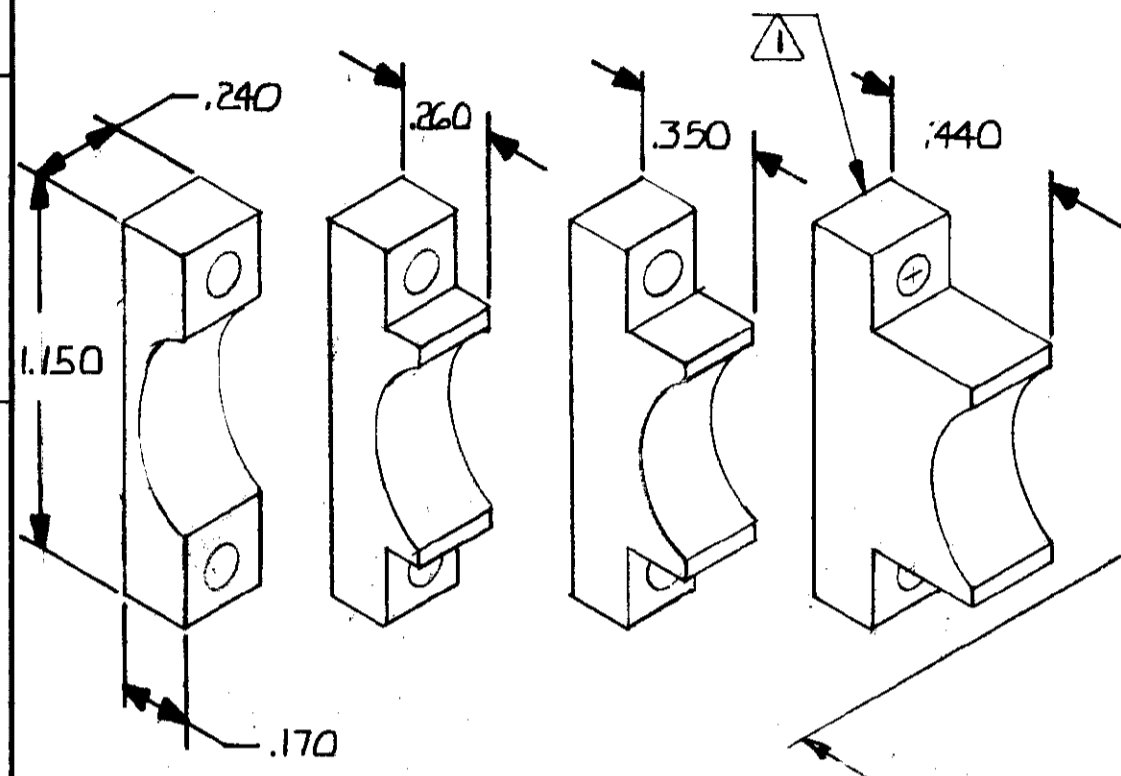
© COPYRIGHT 19 74 BY AMP INCORPORATED, HARRISBURG, PA. ALL INTERNATIONAL RIGHTS RESERVED. AMP INCORPORATED PRODUCTS COVERED BY U. S. AND FOREIGN PATENTS AND/OR PATENTS PENDING.

N	REV PER OG3C-0154-99	ONST	MM	D	REV PER AD1735	7/27/77
N1	ECO-09-026346	NOV09	AEG	E	OBS -1, -2, -11, -15, -17, -18, -19, -21, -22 PER AD1831	8-22-88

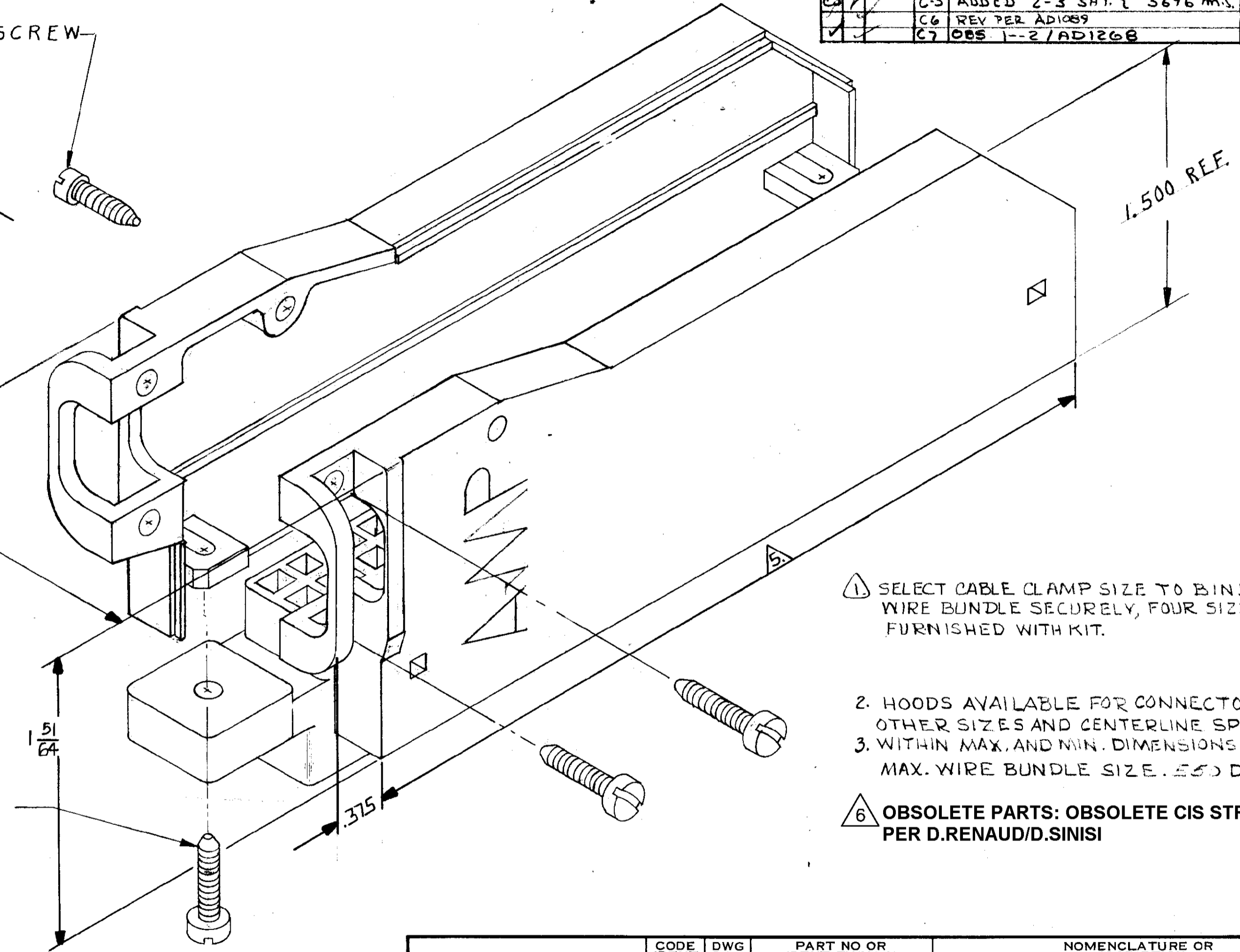
		REVISIONS			
REV	DESCRIPTION	DATE	APPROVED	ZONE	LTR
O	RELEASED WAS 511Z-344	DR 3-7-74	M.Z.		
A	REVISED ECN 4084 DR	4-3-74	M.Z.		
B	REVISED 4179 4198 3 rd	8-8-74	M.Z.		
C	REVISED ADDED SHT 2 4338 RW	11-22-74	DR.		
C1	REVISED SHT 2 4422 m.s.	4-11-75			
C2	REVISED SHT. 1 4499 m.s.	7-29-75			
C3	ADDED 2-530088-2 4787 DR	5-10-76	DR		
C4	REVISED P/N on SHT 2 4785 m.s.	11-15-76			
C5	ADDED 2-3 SHT. 2 5696 m.s.	9-27-78			
C6	REV PER AD1089	2-7-86			
C7	OBS 1--2/AD1268	6-25-86	ESD		

D
S
C
B
A

5 x 3/8" SELF TAPPING SCREW
3 REQUIRED



5 x 5/8" SELF TAPPING SCREW
2 REQUIRED



- 1 SELECT CABLE CLAMP SIZE TO BIND WIRE BUNDLE SECURELY, FOUR SIZES FURNISHED WITH KIT.
- 2. HOODS AVAILABLE FOR CONNECTORS OF OTHER SIZES AND CENTERLINE SPACINGS
- 3. WITHIN MAX. AND MIN. DIMENSIONS SHOWN. MAX. WIRE BUNDLE SIZE .550 DIA.
- 6 OBSOLETE PARTS: OBSOLETE CIS STREAMLINING PER D.RENAUD/D.SINISI

CODE IDENT	DWG SIZE	PART NO OR IDENTIFYING NO	NOMENCLATURE OR DESCRIPTION	ITEM NO
			REVISION OF EACH ASSY NO (WHEN BLANK, USE DWG REVISION)	
QTY REQD PER ASSY		PARTS LIST		
UNLESS OTHERWISE SPECIFIED DIMENSIONS ARE IN INCHES. TOLERANCES ON: DECIMALS ± ANGLES ±		CONTRACT NO	AMP INCORPORATED Harrisburg, Pa.	
MATERIAL POLYESTER SEO COLOR: NATURAL		DR M. Smith 2-12-74 CHK M. Smith 3-8-74	NAME STRAIN RELIEF HOOD ASSEMBLY, 90° OUTLET.	
FINISH		APPD D. Bushney 3-8-74 APPD R. Shawman 3-8-74	SIZE CODE IDENT NO DRAWING NO C 00779 530088	
		DSGN APPD	REV N1	
		OTHER APPD	SCALE NTS	
			SHEET SHT 1 OF 2	

530088

© COPYRIGHT 19 74 BY AMP INCORPORATED, HARRISBURG, PA.
 ALL INTERNATIONAL RIGHTS RESERVED FOR AMP INCORPORATED PRODUCTS
 COVERED BY U. S. PATENTS AND FOREIGN PATENTS PENDING.
 UNLESS OTHERWISE SPECIFIED
 REPRODUCED WITHOUT WRITTEN PERMISSION
 OF AMP INCORPORATED.

REVISIONS		DATE	APPROVED
F	ZONE LTR		
DESCRIPTION			
SEE SHEET 1			

AMP LEAF (ALL .156 CENTERS)

.380 MAX. CONNECTOR WIDTH

ASSEMBLY PART NO.	NO. POS.	Q TO Q MTG. HOLES	MAX. OVERALL HOOD LG. Δ	CONNECTOR PART NO.
530088-1	10	2.160	2.580	582960-1 582963-2 582963-4 583463-1 583723-1
530088-2	15	2.938	3.358	582500-2 582500-5 583680-1
530088-3	18	3.406	3.826	480133-2 480133-5 1-582191-2 1-582191-5 583279-1 583360-1 583725-1 583731-1
530088-4	22	4.031	4.451	480142-2 480142-3 582358-2 582358-3 582535-1 583273-2 583273-3 583617-1

CRIMP SNAP TWIN LEAF

.437 CONNECTOR WIDTH

ASSEMBLY PART NO.	NO. POS.	CTRS.	Q TO Q MTG. HOLES	MAX. OVERALL HOOD LG. Δ	CONNECTOR PART NO.
1-530088-1	10	.156	2.160	2.580	583859-9
1-530088-2	15	.156	2.938	3.358	583859-7
1-530088-3	18	.156	3.406	3.826	1-583859-1 583859-5
1-530088-4	22	.156	4.031	4.451	583859-3
1-530088-7	18	.125	2.795	3.215	583864-7
1-530088-8	22	.125	3.295	3.715	583864-9
1-530088-9	36	.125	5.045	5.665	2-583864-3
2-530088-0	10	.125	1.795	2.240	583864-3
2-530088-1	15	.125	2.420	2.860	583864-5
2-530088-2	25	.156	4.500	4.920	2-583859-5
.380 CONNECTOR WIDTH					
2-530088-3	50	.100	5.575	5.900	2-583861-1

OBSOLETE

AMP TAB DUAL

.437 CONNECTOR WIDTH

ASSEMBLY PART NO.	NO. POS.	CTRS.	Q TO Q MTG. HOLES	MAX. OVERALL HOOD LG. Δ	CONNECTOR PART NO.
1-530088-1	10	.156	2.160	2.580	582573-1 582689-1
1-530088-2	15	.156	2.938	3.358	582575-1 582691-1
1-530088-3	18	.156	3.406	3.826	582577-1 582693-1
1-530088-4	22	.156	4.031	4.451	582508-1 582695-1
1-530088-7	18	.125	2.795	3.215	582567-1 582679-1
1-530088-9	22	.125	3.295	3.715	582569-1 582681-1
2-530088-0	10	.125	1.795	2.240	582563-1 582675-1
2-530088-1	15	.125	2.420	2.860	582565-1 582677-1

OBSOLETE

.437 CONNECTOR WIDTH

ASSEMBLY PART NO.	NO. POS.	Q TO Q MTG. HOLES	MAX. OVERALL HOOD LG. Δ	CONNECTOR PART NO.
1-530088-5	30	5.630	6.100	480146-2 480146-7 583428-1 583631-1
1-530088-6	36	6.578	7.198	530082-1 583552-1

* 1-2 OBSOLETE

UNLESS OTHERWISE SPECIFIED DIMENSIONS ARE IN INCHES. TOLERANCES ON: DECIMALS ± ANGLES ±		CONTRACT NO	PART NO	
MATERIAL	DR <i>M. Smith</i> 4-11-75 CHK <i>Bunkle</i> 4-14-75 APPD <i>D. Buckley</i> 4-15-75	AMP INCORPORATED Harrisburg, Pa.		NAME STRAIN RELIEF HOOD ASSEMBLY, 90°
FINISH	DSGN APPD	SIZE	CODE IDENT NO	DRAWING NO
	OTHER APPD	C	00779	530088
		SCALE	NTS	SHEET 2 OF 2
				REV N1

CUSTOMER DRAWING