



Rectangular StatusPak™ Circuit Board Indicators

DESCRIPTION AND FEATURES

The Chicago Miniature Lamp Rectangular StatusPak™ allows you to mount one to ten LEDs vertically or horizontally in one easy step. Their black housing color provides for a high contrast background while their unitized design is very resistant to vibration. Configurations are available to fit every application requiring either right angle or upright PC board positioning. As with all Chicago Miniature Lamp StatusPak designs, the Rectangular StatusPak provides the user with the lowest installed cost of any competitive product. Additional colors and intensities are available on special order.

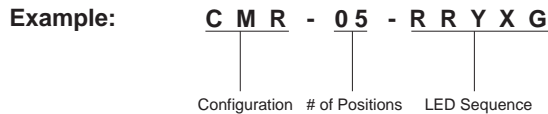
ELECTRO-OPTICAL CHARACTERISTICS AND RATINGS

Part Number	Emitted Color	Lens Color	Package Type	Luminous Intensity		Forward Voltage		Viewing Angle (degrees)	Peak Wavelength (nm)
				Min. (mcd)	Typ. (mcd)	Typ. (ma)	Max. (ma)		
CM*01R	H.E. Red	Red	Diffused	3.2	12.5	2.0	20	110	625
CM*01Y	Yellow	Yellow	Diffused	1.3	8.0	2.1	20	110	590
CM*01G	H.E. Green	Green	Diffused	1.3	8.0	2.2	20	110	565

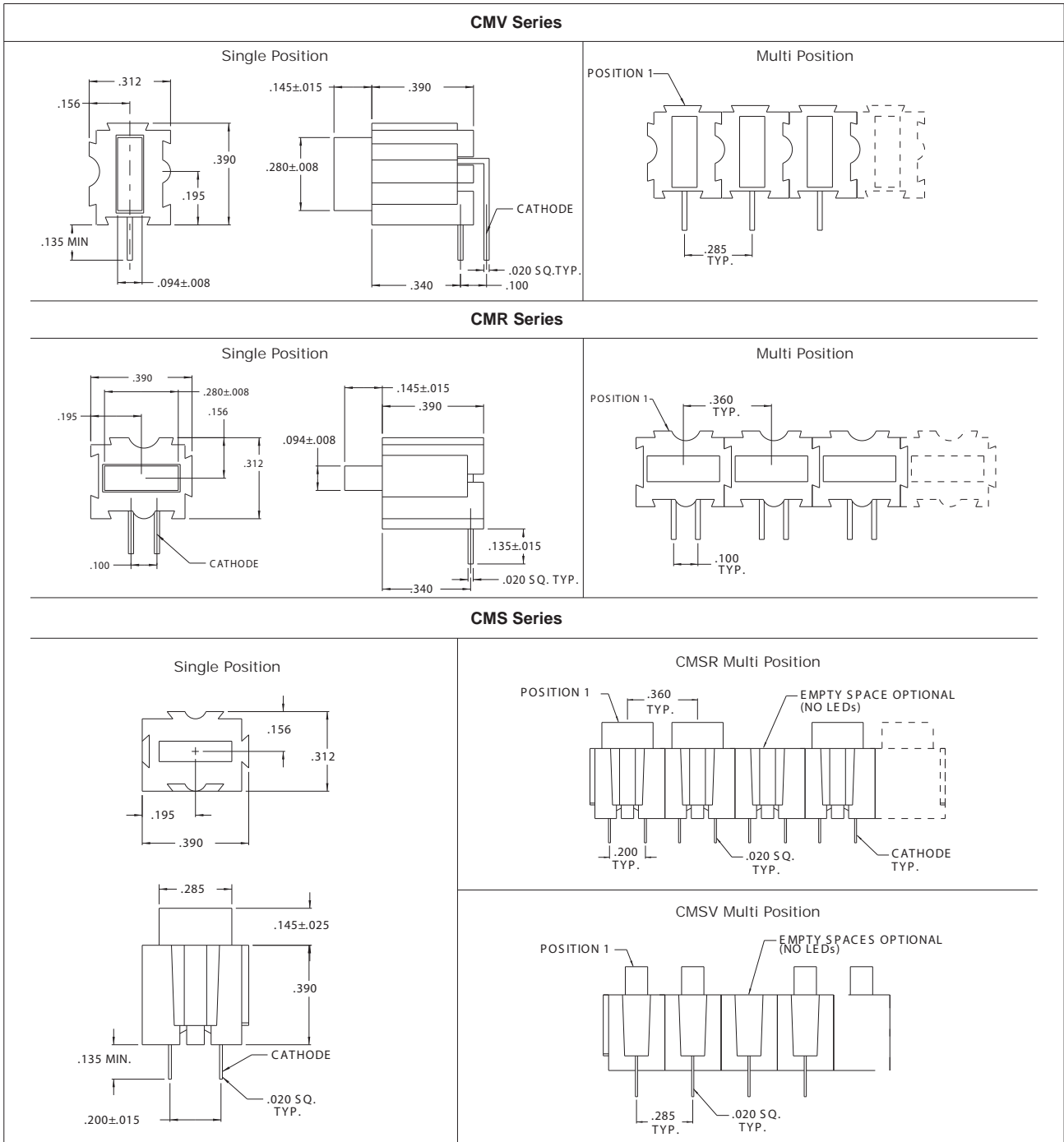
*Replace with configuration letter: R=Horizontal LED, Right Angle Mount
 S=Upright Mount
 V=Vertical LED, Right Angle Mount

How to order a Multi Position Assembly

- Determine the configuration design you require:
 R=Horizontal LED at Right Angle to board.
 V=Vertical LED at Right Angle to board.
 SR=Horizontal LED Upright on board.
 SV=Vertical LED Upright on board.
- Determine the number of positions you require including any open spaces.
- Determine the color and position of each LED you require:
 R=Hi-Brite Red
 Y=Hi-Brite Yellow
 G=Hi-Brite Green
 X=Open Space



Chicago Miniature Lamp reserves the right to make specification revisions that enhance the design and/or performance of the product



All dimensions in inches. - Mounting hole patterns on page 1-X3.