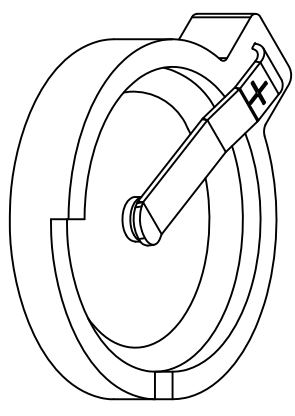
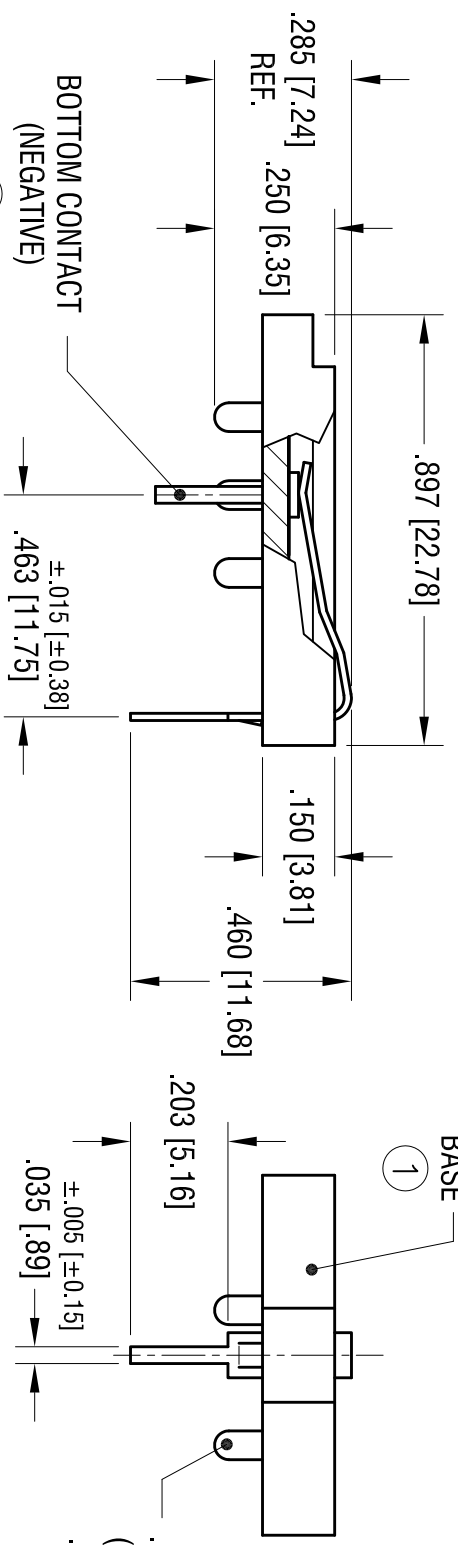
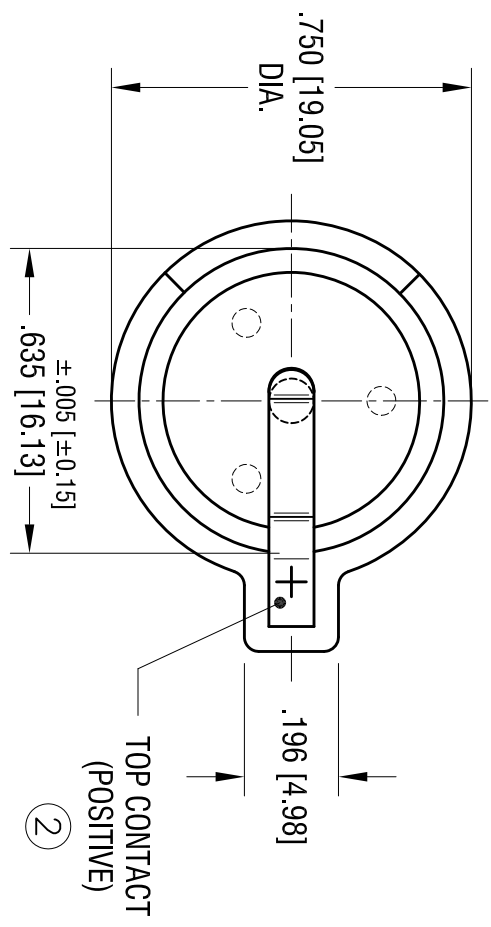


DATE	DESCRIPTION	REV.
2.9.05	CHANGE AS PER ECN 05-014	E
11.02.11	CHANGE AS PER ECN 11-143	F



.060 [1.52] DIA. LEG
 (3) PLS ON
 .375 [2.52] CIRCLE DIA.

THIS DOCUMENT IS THE PROPERTY OF
 KEYSTONE ELECTRONICS CORP. AND
 SHALL NOT BE REPRODUCED, DISTRIBUTED
 OR USED AS A BASIS FOR MANUFACTURE
 WITHOUT PRIOR WRITTEN PERMISSION
 FROM KEYSTONE ELECTRONICS CORP.

KEYSTONE ELECTRONICS CORP.

www.keystec.com • ASTORIA, N.Y. 11105-2017 • Tel (718) 956-8900

PART NAME	16mm PC BATTERY HOLDER	
MATERIAL	AS NOTED	
FINISH	AS NOTED	

ITEM	DESCRIPTION/MATERIAL
①	BASE, BLACK PBT (UL 94V-0)
②	TOP CONTACT .015 [0.38] THK SPRING STEEL
③	BOTTOM CONTACT .035 [0.89] DIA, STEEL

FINISH
 TIN NICKEL PLATE

FINISH	AS NOTED	DRN BY	BOONE	DATE	1.4.91
TOLERANCES	INCH [MM]	CODE	DWG NO.	SCALE	2.5X
DECIMAL	± .010 [± 0.25]	C	502		
ANGULAR	± 1°				
UNLESS OTHERWISE SPECIFIED					

MOUNTING DETAIL

