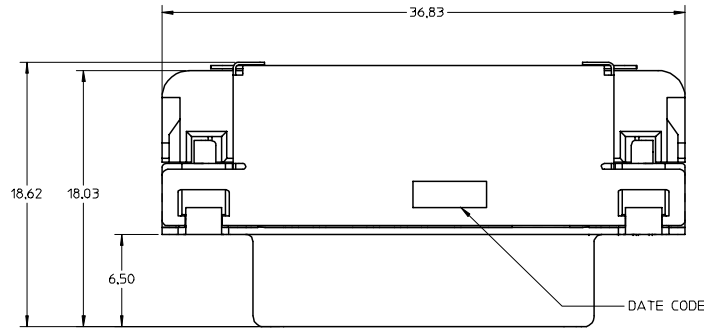
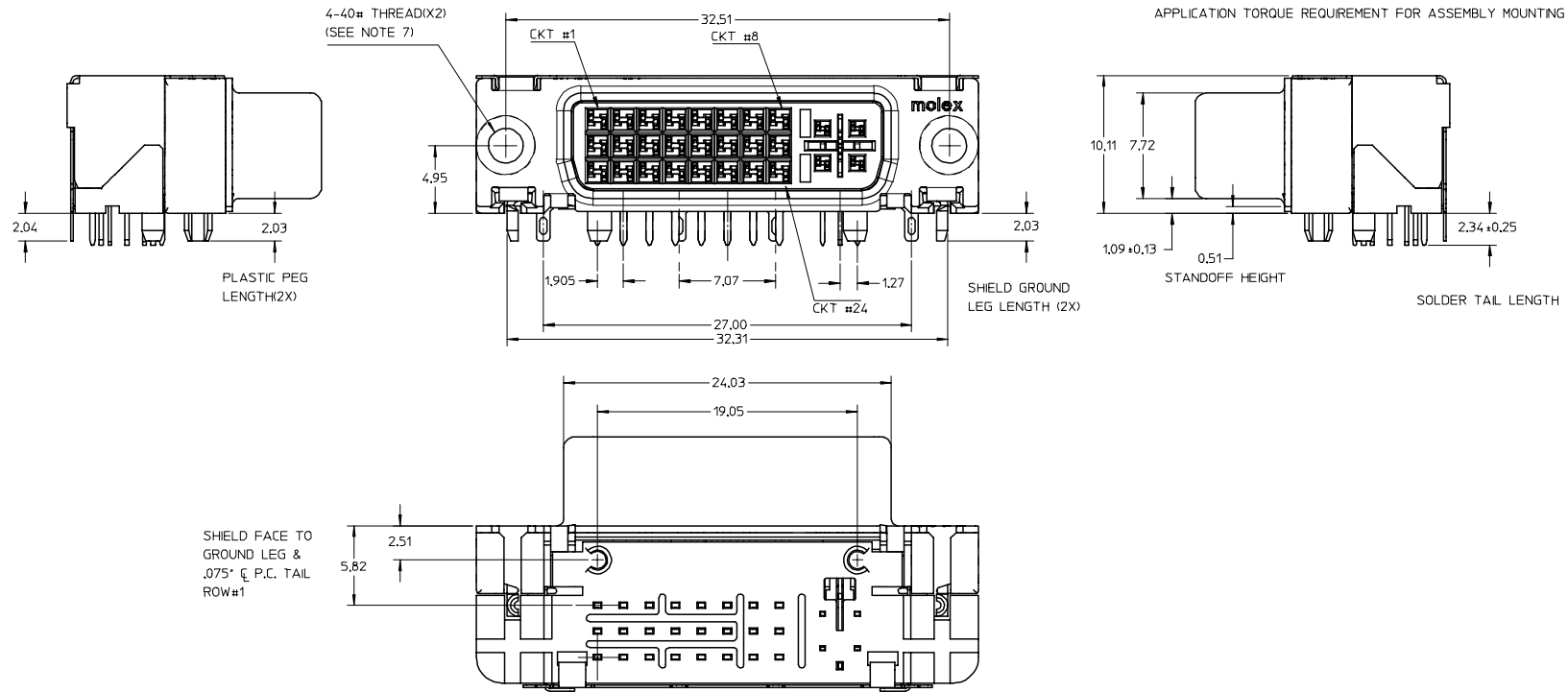


J
I
H
G
F
E
D
C
B
A



1. MATERIALS:
 FRONT SHIELD -- DEEP DRAW STEEL
 BACK SHIELD -- STAINLESS STEEL
 HOUSING -- GLASS FILLED POLYMER,NATURE(IVORY WHITE)UL 94v-0.
 TAIL ALIGNER -- GLASS FILLED POLYMER, NATURE(IVORY WHITE)UL 94v-0.
 CONTACTS -- COPPER ALLOY
 MICROCROSS GROUND -- COPPER ALLOY
2. PLATING SHEET 2
3. PRODUCT CONFIRMS TO MOLEX PRODUCT SPECIFICATION NUMBER PS-74320-001, REFER TO THIS SPECIFICATION FOR SPACING ON A P.C.B.OF TWO OR MORE CONNECTORS WITH USING A CABLE OR AN ADAPTER ASSEMBLY.
4. SEE SHEET 2 FOR RECOMMENDED PANEL CUT-OUT AND P.C.B.LAYOUT.
5. PARTS WILL BE PACKAGED IN TRAYS PER PK-74320-010
6. PRODUCT CONFIRMS TO DDWG DVI SPECIFICATION,REFER TO THIS SPECIFICATION FOR CONNECTOR MATING DIMENSIONS.
7. RECOMMENDED MOUNTING HARDWARE IS MOLEX P/N 88780-6066 OR 82007-0300 OR 71781-0001 REFER TO PRODUCT SPECIFICATION NUMBER PS-74320-001 FOR THE APPLICATION TORQUE REQUIREMENT FOR ASSEMBLY MOUNTING HARDWARE.



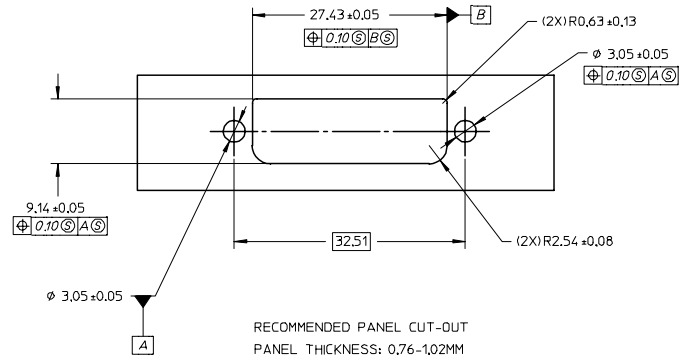
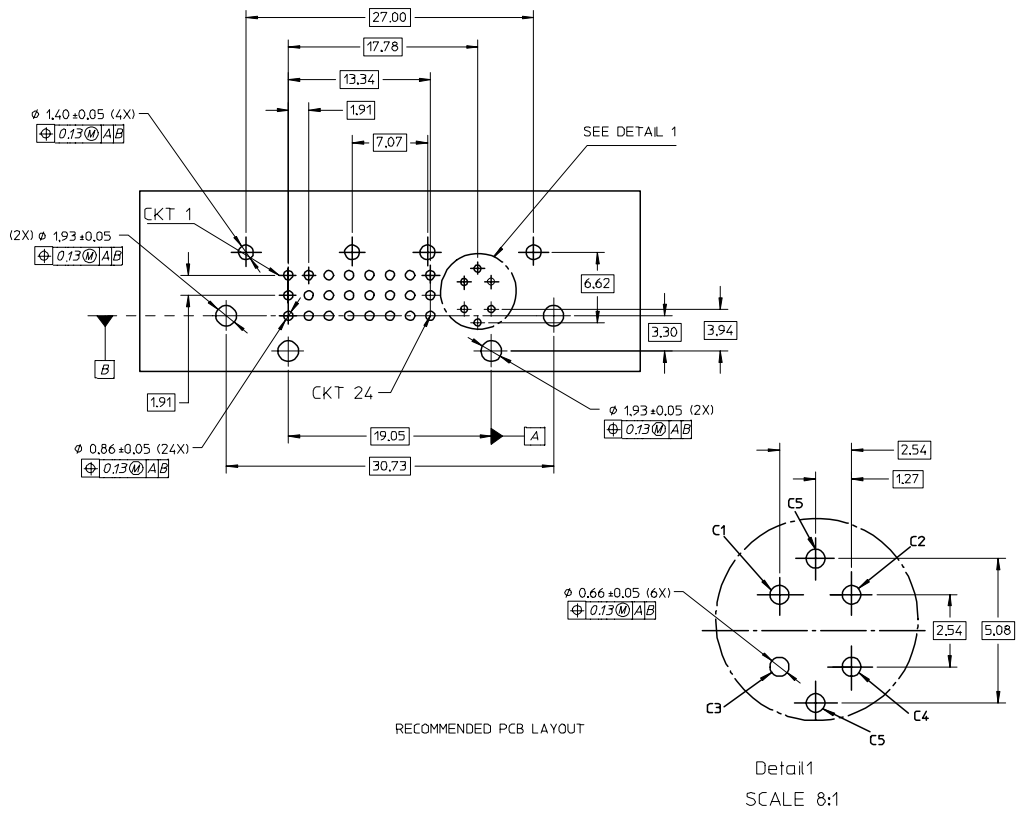
J
I
H
G
F
E
D
C
B
A

NEW RELEASE EC NO: SH2005-0035 DRAWN:DXUE 2004/08/19 CHKD: 2004/08/20 APPR:YTYAP 2004/08/20	QUALITY SYMBOLS ▽-0 ◻-0	GENERAL TOLERANCES (UNLESS SPECIFIED)		SCALE 4:1	DESIGN UNITS METRIC	THIRD ANGLE PROJECTION	REVISE ON CAD ONLY
		4 PLACES ± --- ± --- 3 PLACES ± --- ± --- 2 PLACES ± 0.25 ± --- 1 PLACE ± 0.25 ± ---	DIMENSION STYLE MM ONLY	TITLE DVI-I RIGHT ANGLE RECEPTACLE CONNECTOR WITH EMI SHIELDING			
		ANGULAR ± 3 °		DRAWN BY DXUE DATE 2004/8/5	MOLEX MOLEX INCORPORATED		
		DRAFT WHERE APPLICABLE MUST REMAIN WITHIN DIMENSIONS		CHECKED BY DATE	MATERIAL NO. 743201304 DOCUMENT NO. SD-74320-050 SHEET NO. 1 OF 2		
THIS DRAWING CONTAINS INFORMATION THAT IS PROPRIETARY TO MOLEX INCORPORATED AND SHOULD NOT BE USED WITHOUT WRITTEN PERMISSION							

12 11 10 9 8 7 6 5 4 3 2

J
I
H
G
F
E
D
C
B
A

J
I
H
G
F
E
D
C
B
A



RECOMMENDED PANEL CUT-OUT
PANEL THICKNESS: 0.76-1.02MM

PLATING OPTIONS:
PLATING OPTION #1:
FRONT SHIELD -- 150u"/3.75um MIN, BRIGHT TIN OVER
50u"/1.27um MIN, NICKEL OVER COPPER FLASH.
BACK SHIELD -- 50u"/1.27um MIN, BRIGHT TIN OVER
50u"/1.27um MIN, NICKEL OVERALL.

.075"/1.91mm CONTACTS -- SELECT GOLD FLASH AND
100u"/2.50um MIN, SELECT TIN
OVER 50u"/1.27um MIN, NICKEL OVERALL.
.100"/2.54mm CONTACTS -- SELECT GOLD FLASH AND
100u"/2.50um MIN, SELECT TIN,
OVER 50u"/1.27um MIN, NICKEL OVERALL.
MICROCROSS GROUND -- 30u"/0.75um MIN SELECT GOLD AND
100u"/2.50um MIN, SELECT TIN,
OVER 50u"/1.27um MIN, NICKEL OVERALL.

NEW RELEASE EC NO: SH2005-0035 DRWN: DXUE 2004/08/19 CHKD: 2004/08/20 APPR: YTYAP 2004/08/20	DESCRIPTION REV	QUALITY SYMBOLS	GENERAL TOLERANCES (UNLESS SPECIFIED)	SCALE 4:1	DESIGN UNITS METRIC	THIRD ANGLE PROJECTION	REVISE ON CAD ONLY	
		▽-0	mm INCH	DIMENSION STYLE MM ONLY	TITLE	DVI-I RIGHT ANGLE RECEPTACLE CONNECTOR WITH EMI SHIELDING		
		∇-0	4 PLACES ± --- ± --- 3 PLACES ± --- ± --- 2 PLACES ± 0.25 ± --- 1 PLACE ± 0.25 ± ---	DRAWN BY DATE DXUE 2004/8/5	CHECKED BY DATE	MOLEX INCORPORATED		
			ANGULAR ± 3 °	APPROVED BY DATE	MATERIAL NO. 743201304	DOCUMENT NO. SD-74320-050	SHEET NO. 2 OF 2	
DRAFT WHERE APPLICABLE MUST REMAIN WITHIN DIMENSIONS			THIS DRAWING CONTAINS INFORMATION THAT IS PROPRIETARY TO MOLEX INCORPORATED AND SHOULD NOT BE USED WITHOUT WRITTEN PERMISSION					

11 10 9 8 7 6 5 4 3 2 1