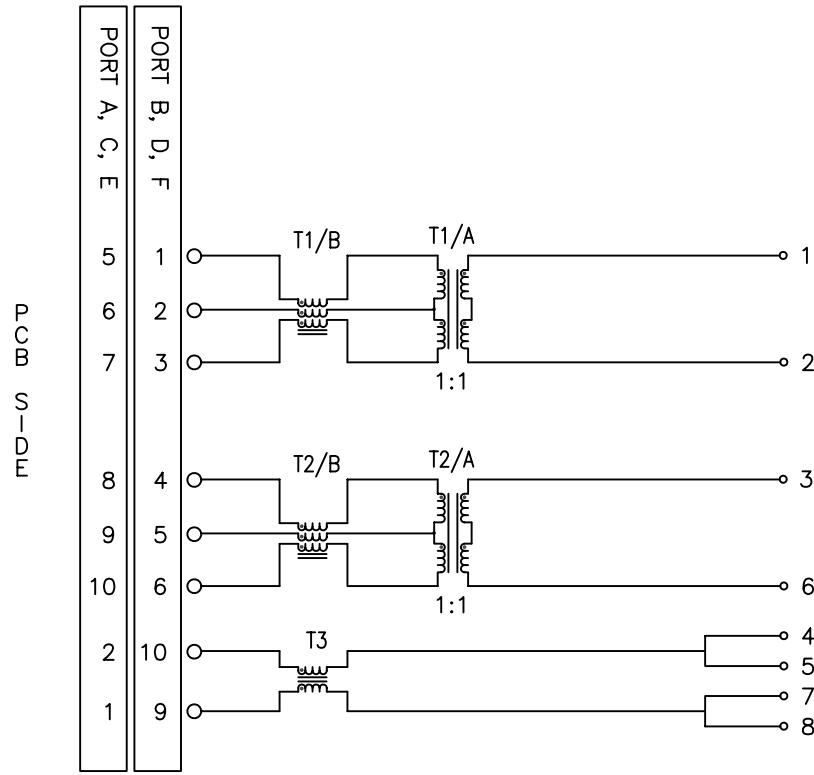


JG0-0045NL

NOTICE: THE INFORMATION AND DESIGN CONTAINED HEREIN IS THE PROPERTY OF PULSE WHO RESERVES ALL RIGHTS THERETO.



ELECTRICAL CHARACTERISTICS AT +25°C UNLESS OTHER SPECIFIED (FOR REFERENCE ONLY. USED FOR CUSTOMER INFORMATION.)

PARAMETER	SPECIFICATIONS		
	100 KHz	1-125 MHz	
INSERTION LOSS	-1.2 dB MAX	-0.2-0.002*f ^{1.4} dB MAX	
RETURN LOSS (Z _{out} = 100 OHM ±15%)	.1-30 MHz	30-60 MHz	60-80 MHz
	-16 dB MIN	-10+20*LOG ₁₀ (f/60 MHz) dB MIN	-10 dB MIN
INDUCTANCE (OCL) (MEDIA SIDE, 0°C-70°C)	350 uH MIN (MEASURED AT 100 KHz, 100 mVRMS AND WITH 8 mA DC BIAS)		
CROSSTALK, ADJACENT CHANNELS	1 MHz	10-100 MHz	
	-50 dB MIN	-55+22*LOG ₁₀ (f/10) dB MIN	
COMMON MODE REJECTION RATIO	2 MHz	30-200 MHz	
	-50 dB MIN	-15+20*LOG ₁₀ (f/200) dB MIN	
INPUT - OUTPUT ISOLATION	1500 VRMS MIN @ 60 SECONDS		

NOTE: f IS FREQUENCY IN MHz.

NOTICE: THIS IS A RoHS COMPLIANT COMPONENT/PRODUCT. ALL ENGINEERING CHANGES MUST HAVE PRIOR APPROVAL BY THE DESIGN CENTER.

RoHS

UNLESS OTHERWISE SPECIFIED, ALL DIMENSIONS ARE IN INCHES TOLERANCES ARE:
 DECIMALS ANGLES
 .XX ±.01 ± 1°
 .XXX ±.005
 DO NOT SCALE DRAWING

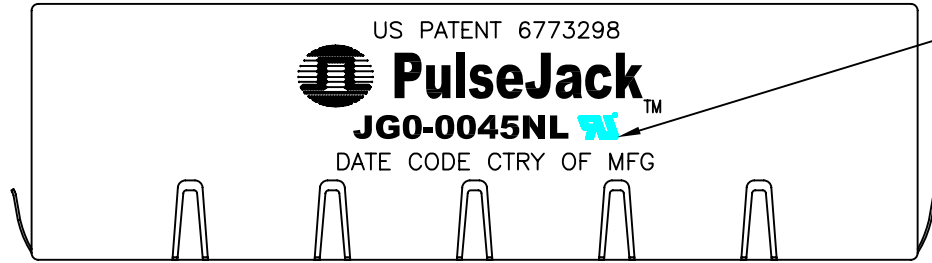
SIZE: B01961 DWG. NO.: JG0-0045NL REV. X1
 SCALE: NONE CADD FILE: JG0-0045NL-1 SHEET: 1 OF 4

JG0-0045NL

NOTICE: THE INFORMATION AND DESIGN CONTAINED HEREIN IS THE PROPERTY OF PULSE WHO RESERVES ALL RIGHTS THERETO.

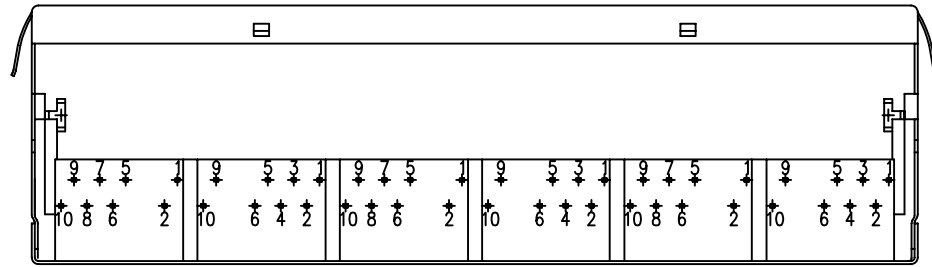
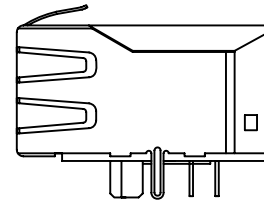
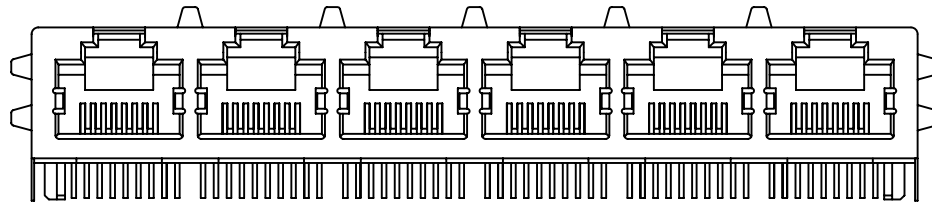
FINAL OUTLINE NOTES:

- 1. CHECK DIMENSIONS PER PACKAGE SPECIFICATION, ITEM 15.



MARK PART WITH "UL MARK"
PER PROCEDURE ITEM 22.
MARK POSITION IS OPTIONAL
PREFERRED LOCATION IS
TOP OF THE PART.

FINAL OUTLINE



PORT A PORT B PORT C PORT D PORT E PORT F

NOTES:

- FOR PORT A, C, AND E: PINS 3 AND 4 ARE REMOVED.
- FOR PORT B, D, AND F: PINS 7 AND 8 ARE REMOVED.

UNLESS OTHERWISE SPECIFIED, ALL DIMENSIONS ARE IN INCHES. TOLERANCES ARE:

DECIMALS ANGLES
.XX ±.01 ± 1°
.XXX ±.005

DO NOT SCALE DRAWING

SIZE	CAGE CODE	DWG. NO.	REV.
B01961		JG0-0045NL	X1
SCALE	CADD FILE	SHEET	
NONE	JG0-0045NL-2	2 OF 4	

JGO-0045NL

NOTICE: THE INFORMATION AND DESIGN CONTAINED HEREIN IS THE PROPERTY OF PULSE WHO RESERVES ALL RIGHTS THERETO.

D

C

B

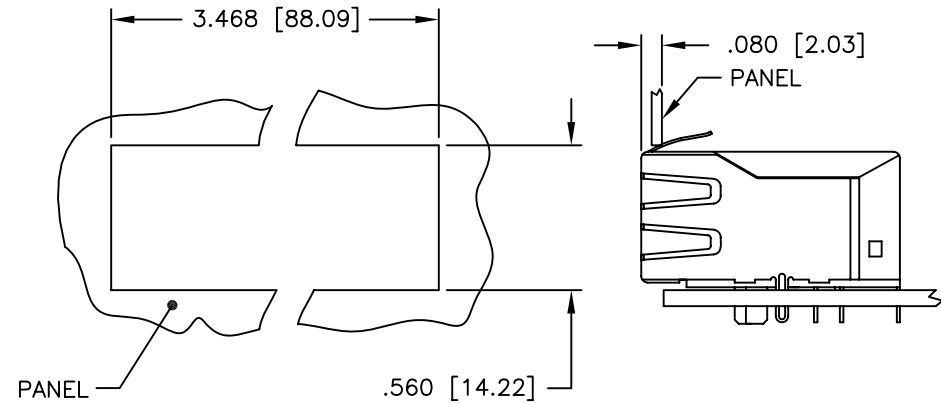
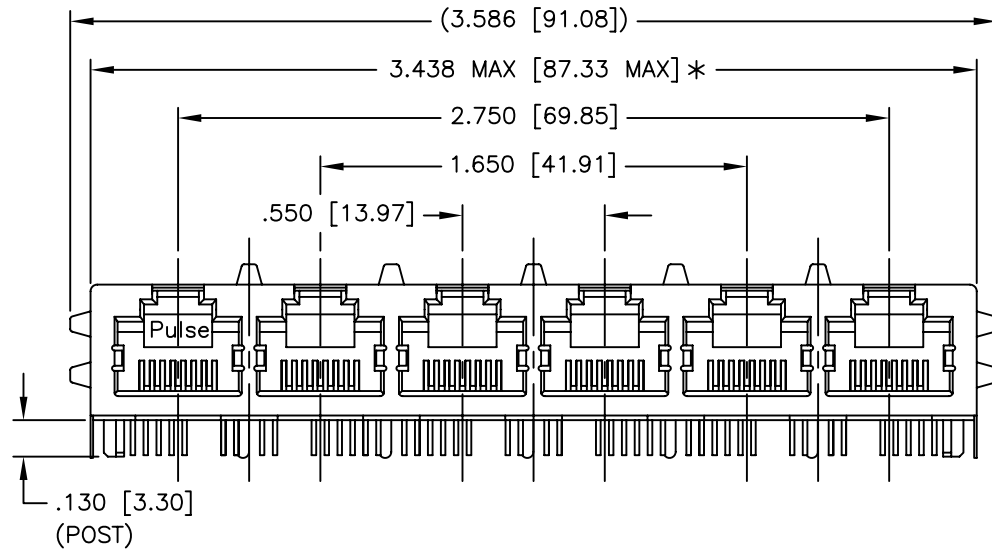
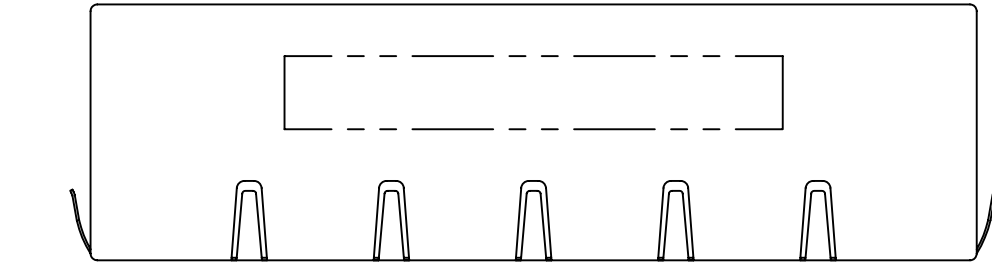
A

D

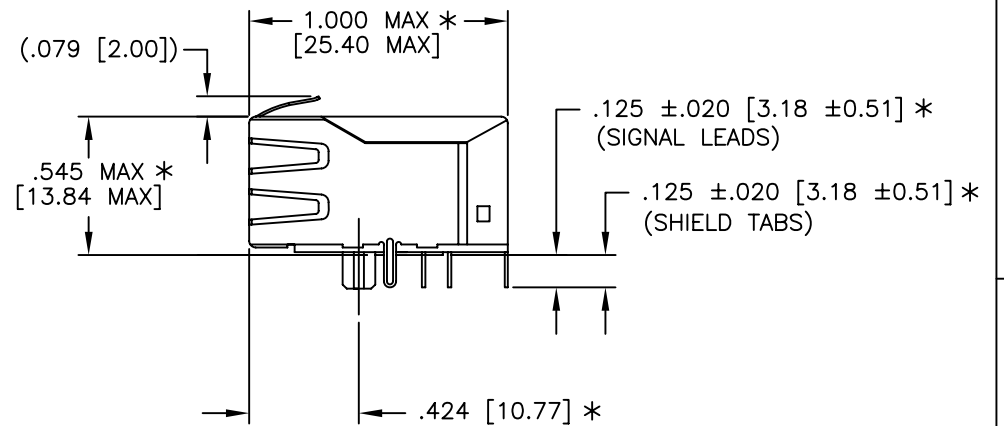
C

B

A



SUGGESTED PANEL CUTOUT

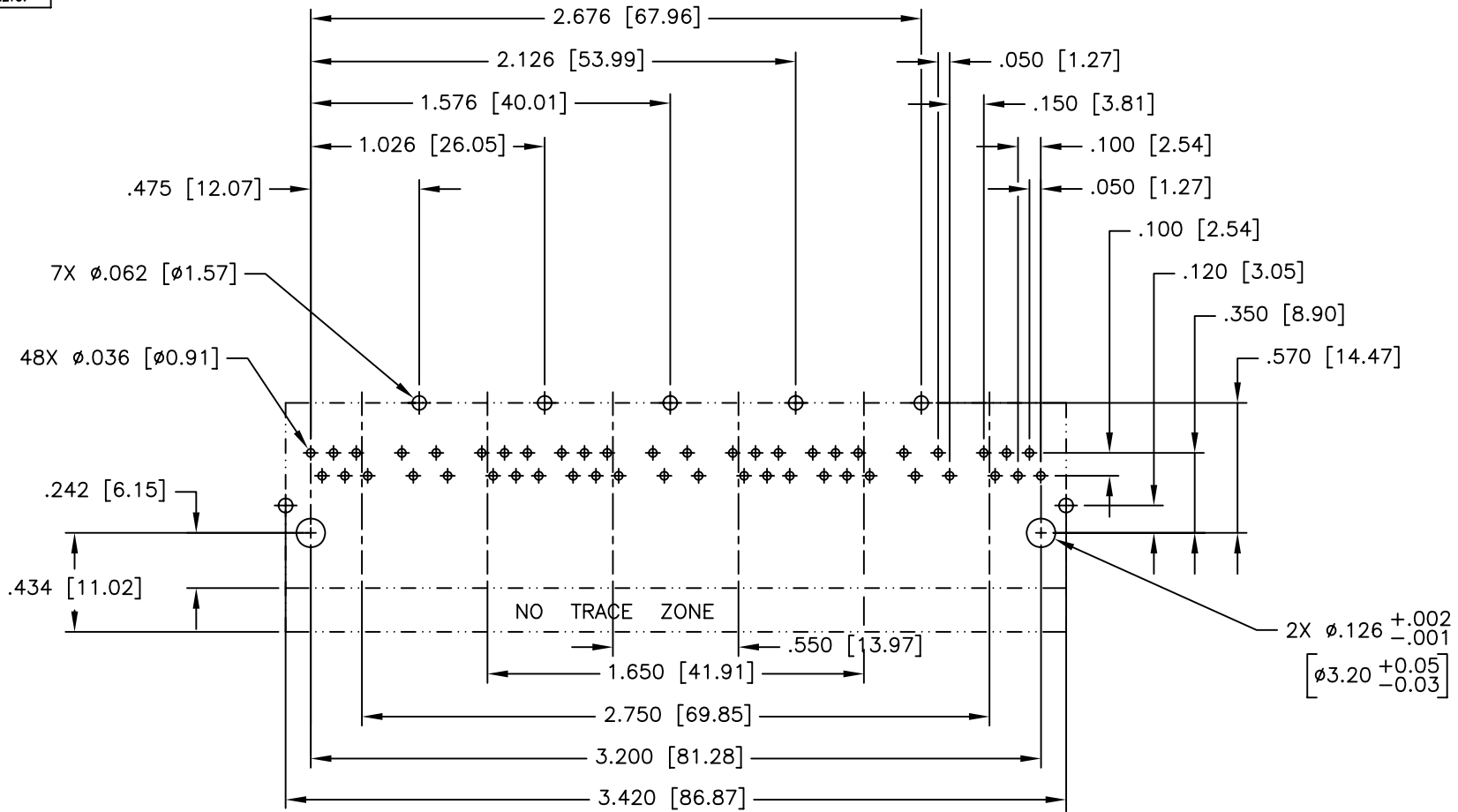


UNLESS OTHERWISE SPECIFIED, ALL DIMENSIONS ARE IN INCHES. TOLERANCES ARE:
 DECIMALS: .XX ±.01, .XXX ±.005
 ANGLES: 3°
 DO NOT SCALE DRAWING

SIZE	CAGE CODE	DWG. NO.	REV
SCALE 2/1	B01961	JGO-0045NL	X1
CADD FILE	JGO-0045NL-3	SHEET	3 OF 4

JG0-0045NL

NOTICE: THE INFORMATION AND DESIGN CONTAINED HEREIN IS THE PROPERTY OF PULSE WHO RESERVES ALL RIGHTS THERETO.



SUGGESTED FOOTPRINT (COMPONENT SIDE SHOWN)
 DIMENSIONAL TOLERANCE: (UNLESS OTHERWISE SPECIFIED)
 .XXX ± 0.003 [X.XX ± 0.08]

UNLESS OTHERWISE SPECIFIED, ALL DIMENSIONS ARE IN INCHES
 TOLERANCES ARE:
 DECIMALS: .XX ± 0.01 , .XXX ± 0.005
 ANGLES: $\pm 1^\circ$
 DO NOT SCALE DRAWING

SIZE	CAGE CODE	DWG. NO.	REV
SCALE 2/1	B01961	JG0-0045NL	X1
CADD FILE	JG0-0045NL-4	SHEET	4 OF 4