

PART NUMBER	REV	FIRST USED
466979-1	F	854040-3
466979-2	B	854040-3

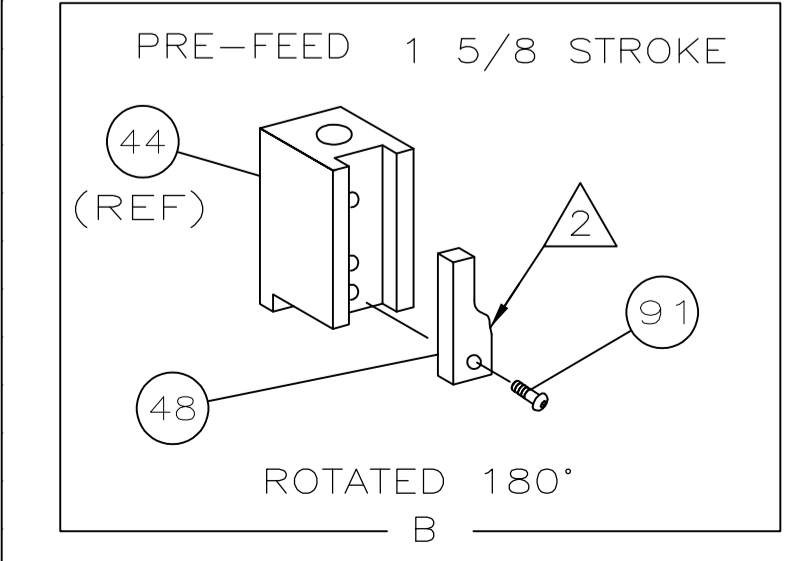
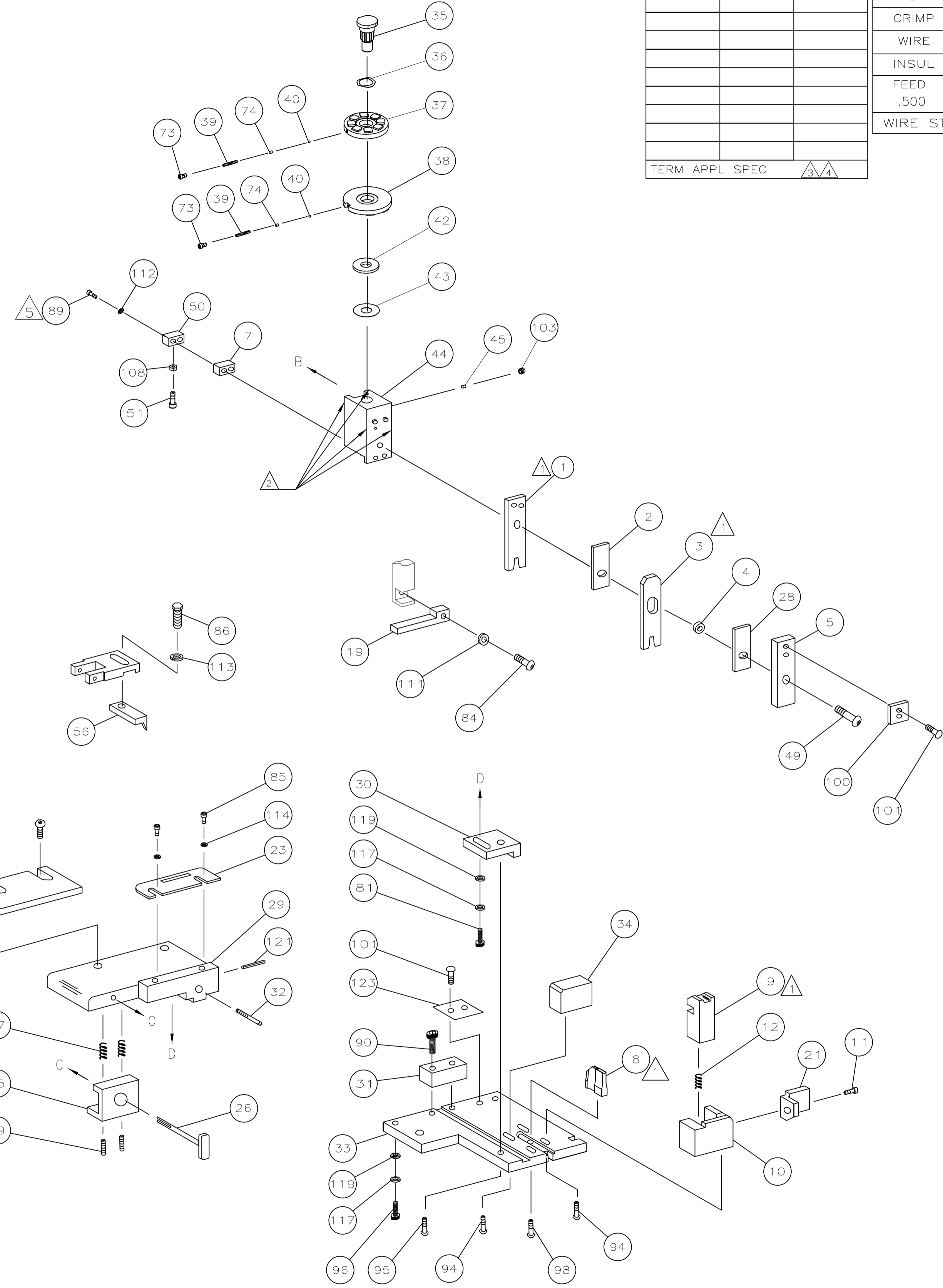
OBSOLETE

TERMINAL NAME: TYPE III PIN AND SOCKET	
SOCKET	PIN
66563	66564
738390	

CRIMPING DATA			
VISIBLE PAD LTR	CRIMP HEIGHT	WIRE SIZE	
A	.038 ±.002	22	
B	.036 ±.002	24	
C	.042 ±.002	20	
D	NOT	USED	
CRIMP	SIZE	TYPE	RANGE
WIRE	.062	F	24-20
INSUL	.120	0	.060-.135
FEED	APPL INST	SET UP GAGE	LAYOUT
.500	AI-	-	818
WIRE STRIP LENGTH .141-.171			

LOC		DIST		REVISIONS			
F	LTR	DATE	BY	APPRO	DESCRIPTION	DATE	BY
A	66					1-2008	MY
F					ECR-08-000264		GB

SIM TO HDM 466383-2



- 1 RECOMMENDED SPARE PARTS.
- 2 GREASE LIGHTLY.
- 3 TERM APPL SPEC 114-10004
- 4 TERM APPL SPEC 114-13131
- 5 CUT TO LENGTH AT ASSEMBLY

QTY REQD PER ASSY	U/M	PART NO	DESCRIPTION	ITEM NO
1		690701-2	PLATE, SERIAL NO.	125
1		4-21028-0	PIN,SLT SPR(Ø.093x.75)ST GDE PL	123
2		21899-2	WASHER,FLAT(#10)S G ADJ BLK	120
2		21024-5	WASHER, LOCK(#10)ADJ BLOCK	119
2		21024-2	WASHER,LOCK(#4)FRONT STP GUIDE	118
REF		21024-4	WASHER,LOCK(#8)FEED FINGER	116
2		21024-4	WASHER,LOCK(#8)DEP-HOLD	115
REF		21024-4	WASHER,LOCK(#8)STRIPPER	114
1		21018-5	NUT,HEX(#6)HOLD DOWN	113
4		21017-2	SCR,DRIVE(#2x.19)ID PLATE	112
1		819347-1	PLATE, IDENTIFICATION	110
2		5-21006-6	SCR,SET,(10-32x.75)DRAG	109
1		22733-8	SCR,BHC(8-32x.38 LW)ANVIL	108
1		3-21000-8	SCR,SHC(10-32x.88)MOUNTING	107
1		2-22733-1	SCR,BHC(10-32x.50)SG ADJ BLK	106
4		22733-9	SCR,BHC(8-32x.50)SHEAR-TERM SUP	105
2		2-21002-2	SCR,BHC(8-32x.50)R STP GDE	104
1		1-21002-7	SCR,SHC(6-32x.50)CAM	103
2		2-21000-7	SCR,SHC(8-32x.50)SCR BLK	102
2		2-21000-8	SCR,SHC(8-32x.62)	101
REF		2-22603-0	SCR,HEX HD(8-32x.31)FEED FINGER	100
2		1-21000-3	SCR,SHC(4-40x.25)F ST GUIDE	99
REF		22733-9	SCR,BHC(8-32x.50 SL)STRIPPER	98
1		3-21000-4	SCR,SHC(10-32x.38)SG ADJ BL	97
2		463310-5	BLADE, STRIPPING (#20)	96
2		690603-1	SPRING, ASSIST	95
2		23030-1	SCR,SHC(6-32x.25)CP DISC	94

QTY REQD PER ASSY	U/M	PART NO	DESCRIPTION	ITEM NO
1		694433-8	PAWL, FEED	70
1		811242-2	BUMPER, HOLDDOWN	69
1		690753-1	SPACER, TONKER	68
1		7-21002-9	BOLT, CRIMPER(5/16x1.00)	67
1		690602-6	CAM, PRE-FEED 1.62 STROKE	66
1		690191-1	PLUG, NYLON	65
1		455673-1	RAM	64
1		690125-1	WASHER, LAMINATED	63
1		690124-1	WASHER, RAM	62
2		23241-6	BALL, STEEL	61
2		690170-1	SPRING, COMPRESSION	60
1		690142-1	DISC, INSULATION	59
1		5-690692-2	DISC, WIRE	58
1		22480-5	WASHER, SPRING	57
1		690212-1	POST, RAM	56
1		692776-1	SUPPORT, TERMINAL	55
1		462544-1	PLATE, BASE SPECIAL	54
1		690432-3	SCREW, ADJUSTMENT	53
1		462543-1	BLOCK, SCREW SPECIAL	52
1		455689-1	BLOCK, STRIP GUIDE ADJ	51
1		455671-1	PLATE, STRIP GUIDE	50
1		1-455888-0	SPACER, FRONT SHEAR DEP	49
2		1-22284-0	SPRING, DRAG	48
1		690546-1	LEVER, DRAG RELEASE	47
1		240792-1	DRAG, TERMINAL	46
1		6-690504-5	GUIDE, STRIP (REAR)	45
1		690438-1	GUIDE, STRIP (FRONT)	44
1		463756-1	GUIDE, SCRAP	43
REF		462615-1	STRIPPER	42
1		3-22280-3	SPRING, SHEAR	41
1		690461-2	STOP, SHEAR (FRONT)	40
1		462548-1	HOLDER, SHEAR (FRONT) SP	39
1		462547-1	SHEAR, FLOAT (FRONT) SP	38
1		3-458834-1	ANVIL	37
1		3-240641-9	SPACER	36
1		462838-1	DEPRESSOR, SHEAR (FRONT) SP	35
1		238011-4	SPACER, BLOCK CRIMPER	34
1		1-456135-7	CRIMPER, INSULATION	33
1		455888-4	SPACER, CRIMPER	32
1		2-456403-6	CRIMPER, WIRE	31

QTY REQD PER ASSY	U/M	PART NO	DESCRIPTION	ITEM NO
1		690701-2	PLATE, SERIAL NO.	125
1		4-21028-0	PIN,SLT SPR(Ø.093x.75)ST GDE PL	123
2		21899-2	WASHER,FLAT(#10)S G ADJ BLK	120
2		21024-5	WASHER, LOCK(#10)ADJ BLOCK	119
2		21024-2	WASHER,LOCK(#4)FRONT STP GUIDE	118
REF		21024-4	WASHER,LOCK(#8)FEED FINGER	116
2		21024-4	WASHER,LOCK(#8)DEP-HOLD	115
REF		21024-4	WASHER,LOCK(#8)STRIPPER	114
1		21018-5	NUT,HEX(#6)HOLD DOWN	113
4		21017-2	SCR,DRIVE(#2x.19)ID PLATE	112
1		819347-1	PLATE, IDENTIFICATION	110
2		5-21006-6	SCR,SET,(10-32x.75)DRAG	99
1		22733-8	SCR,BHC(8-32x.38 LW)ANVIL	98
1		3-21000-8	SCR,SHC(10-32x.88)MOUNTING	97
1		2-22733-1	SCR,BHC(10-32x.50)SG ADJ BLK	95
4		22733-9	SCR,BHC(8-32x.50)SHEAR-TERM SUP	94
2		2-21002-2	SCR,BHC(8-32x.50)R STP GDE	93
1		1-21002-7	SCR,SHC(6-32x.50)CAM	91
2		2-21000-7	SCR,SHC(8-32x.50)SCR BLK	90
2		2-21000-8	SCR,SHC(8-32x.62)	89
REF		2-22603-0	SCR,HEX HD(8-32x.31)FEED FINGER	87
2		1-21000-3	SCR,SHC(4-40x.25)F ST GUIDE	85
REF		22733-9	SCR,BHC(8-32x.50 SL)STRIPPER	84
1		3-21000-4	SCR,SHC(10-32x.38)SG ADJ BL	81
2		463310-5	BLADE, STRIPPING (#20)	77
2		690603-1	SPRING, ASSIST	74
2		23030-1	SCR,SHC(6-32x.25)CP DISC	73

THIS DRAWING IS A CONTROLLED DOCUMENT.

DIMENSIONS: INCHES	TOLERANCES UNLESS OTHERWISE SPECIFIED:	DIN 9/4/92	9-5-92	9-5-92
0 PLC ± .005	1 PLC ± .002	2 PLC ± .001	3 PLC ± .0005	4 PLC ± .0002
ANGLES ± .5°				

MATERIAL: FINISH: WEIGHT: SIZE: CAGE CODE: DRAWING NO: RESTRICTED TO: A1 00779 ©=466979

CUSTOMER DRAWING SCALE: SHEET 1 OF 1 REV F

APPROVED: J. HERRINGTON, A. CHECKER, C. FRISMAN

NAME: STRIPPER CRIMPER APPLICATOR

TYCO ELECTRONICS CORPORATION, HARRISBURG, PA 17105-3608