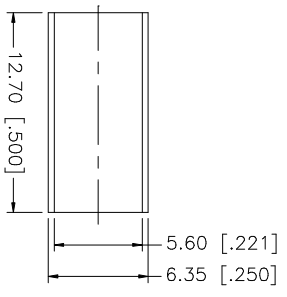
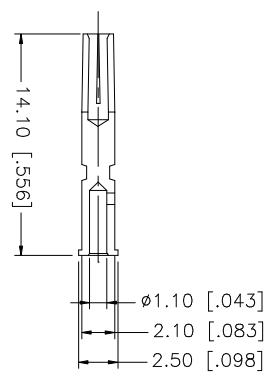
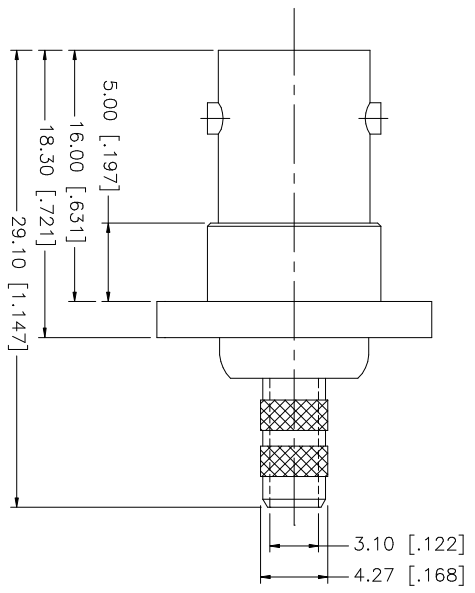
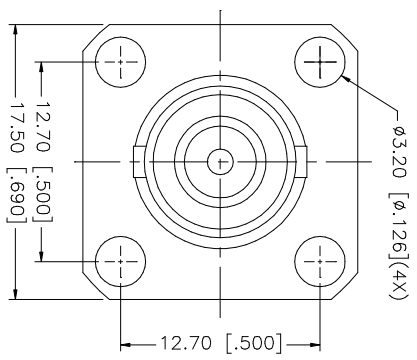
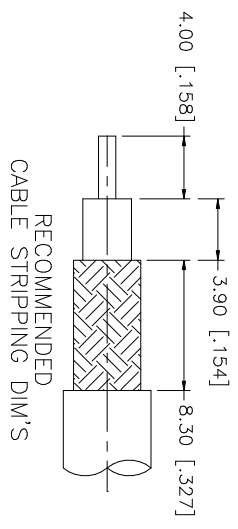


REV.	DATE	DESCRIPTION
A	07/13/05	UPDATE DRAWING FORMAT



- NOTE:
1. CRIMPED FERRULE HEX CRIMP SIZE .213"
  2. CRIMPED CONTACT PIN HEX CRIMP SIZE .068"

NO.	DESCRIPTION	MATERIAL	FINISH	QTY	UNLESS OTHERWISE SPECIFIED, DIMENSIONS ARE IN MILLIMETERS DIMENSIONS IN [ ] ARE IN INCHES AND FOR CUSTOMER REFERENCE ONLY. TOLERANCES FOR MILLIMETERS ARE:	UNLESS OTHERWISE SPECIFIED, DIMENSIONS ARE IN INCHES AND FOR CUSTOMER REFERENCE ONLY. TOLERANCES FOR INCHES ARE:	APPROVALS	DATE	PART DESCRIPTION	
8									<p style="text-align: center;"><b>Amphenol Connex</b></p> <p style="text-align: center;">BNC PANEL CRIMP JACK (FOR RG-55/U, 142A/U, 223/U, 400/U)</p>	
7										
6										
5										
4	FERRULE	COPPER	NICKEL	1	0.5 - 8mm ± 0.20mm	.020 - .315 = ± 0.007"	DRAWN	G.R.S.		07/13/05
3	CONTACT PIN	PHOS. BRONZE	GOLD	1	8 - 30mm ± 0.40mm	.315 - 1.180 = ± 0.015"	CHECKED			
2	INSULATOR	DELFIN	NATURAL	1	30 - 120mm ± 0.50mm	1.180 - 4.724 = ± 0.020"	ISSUED			
1	BODY	BRASS	NICKEL	1			SHEET	1 OF 1		
DESCRIPTION					MATERIAL	FINISH	QTY	DO NOT SCALE DRAWING		
					CAD FILE	C:/112/112572.DWG		DWG. NO. 112527.DWG		
					REV.	A	SIZE	A	SCALE	NA