
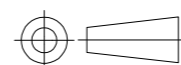


THIS DRAWING IS UNPUBLISHED. RELEASED FOR PUBLICATION
 © COPYRIGHT - By - ALL RIGHTS RESERVED.

LOC		DIST		REVISIONS			
P	LTR	DESCRIPTION	DATE	DWN	APVD		
	G	REV PER ECO 12-019992	13NOV12	PY	DM		

- ① KIT CONSISTS OF TWO (2) PIECES EACH OF:
 A. 531713-1: GUIDE/KEYING PIN
 B. 23174-1: NUT, #2-56
 C. 531714-1: GUIDE/KEYING INSERT
 D. 530347-9: RIVET
- ② KIT CONSISTS OF TWO (2) PIECES EACH OF:
 A. 531713-1: GUIDE/KEYING PIN
 B. 23174-1: NUT, #2-56
 C. 531714-1: GUIDE/KEYING INSERT
 D. 530347-8: RIVET
- ③ KIT CONSISTS OF TWO (2) PIECES EACH OF:
 A. 531714-1: GUIDE/KEYING INSERT
 B. 530347-1: RIVET
- ④ KIT CONSISTS OF TWO (2) PIECES EACH OF:
 A. 531714-1: GUIDE/KEYING INSERT
 B. 530347-3: RIVET
- ⑤ KIT CONSISTS OF TWO (2) PIECES EACH OF:
 A. 531713-1: GUIDE/KEYING PIN
 B. 23174-1: NUT, #2-56
- ⑥ KIT CONSISTS OF TWO (2) PIECES EACH OF:
 A. 531713-1: GUIDE/KEYING PIN
 B. 531714-1: GUIDE/KEYING INSERT
 C. 23174-1: NUT, #2-56
 D. 534164-1: RIVET
- ⑦ KIT CONSISTS OF TWO (2) PIECES EACH OF:
 A. 531713-2: GUIDE/KEYING PIN
 B. 23174-1: NUT, #2-56
- ⑧ KIT CONSISTS OF TWO (2) PIECES EACH OF:
 A. 531713-3: GUIDE/KEYING PIN
 B. 23174-1: NUT, #2-56
- ⑨ KIT CONSISTS OF TWO (2) PIECES EACH OF:
 A. 531714-1: GUIDE/KEYING INSERT
 B. 530347-8: RIVET
- ⑩ KIT CONSISTS OF TWO (2) PIECES EACH OF:
 A. 531714-1: GUIDE/KEYING INSERT
 B. 530347-9: RIVET
- ⑪ KIT CONSISTS OF TWO (2) PIECES EACH OF:
 A. 531713-1: GUIDE/KEYING PIN
 B. 23174-1: NUT, #2-56
 C. 531714-1: GUIDE/KEYING INSERT
 D. 530347-1: RIVET

REMARKS	DESCRIPTION	PART NO.
	KIT, SPECIAL	1-531715-1
	KIT FOR AMP HDI PIN HEADERS	1-531715-0
	KIT FOR 2 & 3 & 4 ROW RECEPTACLES	531715-9
OBSOLETE	KIT FOR 2 & 3 ROW RECEPTACLES	531715-8
	KIT FOR 2 & 3 ROW RECEPTACLES	531715-7
OBSOLETE	KIT FOR 4 ROW AMP-HDI SERIES 50 RECPT.	531715-6
	KIT FOR 2 & 3 ROW RECEPTACLES	531715-5
OBSOLETE	KIT FOR 3 ROW BOX PIN HEADERS	531715-4
OBSOLETE	KIT FOR 2 ROW BOX PIN HEADERS	531715-3
	KIT FOR 2 ROW & 3 ROW BOX CONNECTORS	531715-2
	KIT FOR 2 ROW STRADDLE MOUNT BOX CONNECTORS	531715-1

THIS DRAWING IS A CONTROLLED DOCUMENT.		DWN C.C. THOMAS 8-4-88	 TE Connectivity	
DIMENSIONS: INCHES		CHK D. MILLER 8-11-88		
TOLERANCES UNLESS OTHERWISE SPECIFIED:		APVD D.MILLER 8-11-88	NAME KIT, COMBINATION GUIDE KEYING PIN & INSERT	
 0 PLC ± - 1 PLC ± - 2 PLC ± - 3 PLC ± - 4 PLC ± - ANGLES ± -		PRODUCT SPEC -	SIZE A2	
MATERIAL -		FINISH -	APPLICATION SPEC -	CAGE CODE 00779
		WEIGHT -	DRAWING NO 531715	RESTRICTED TO -
CUSTOMER DRAWING			SCALE -	SHEET 1 of 1
			REV G	

531715