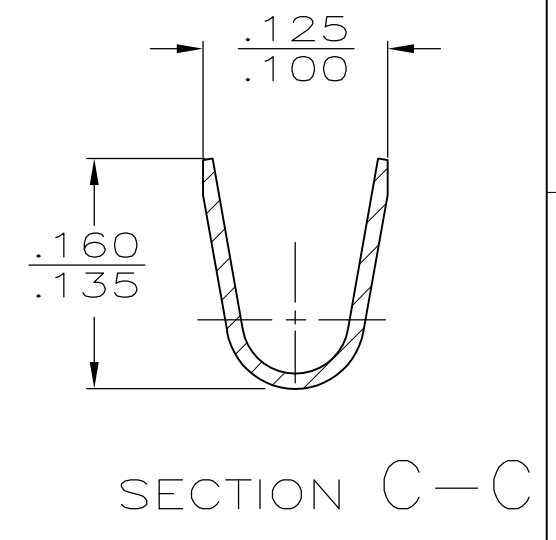
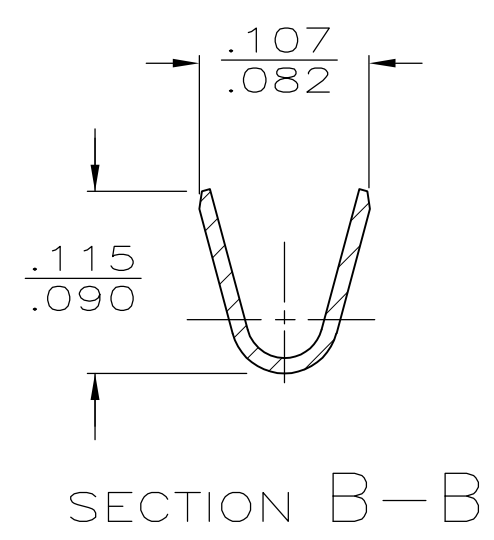
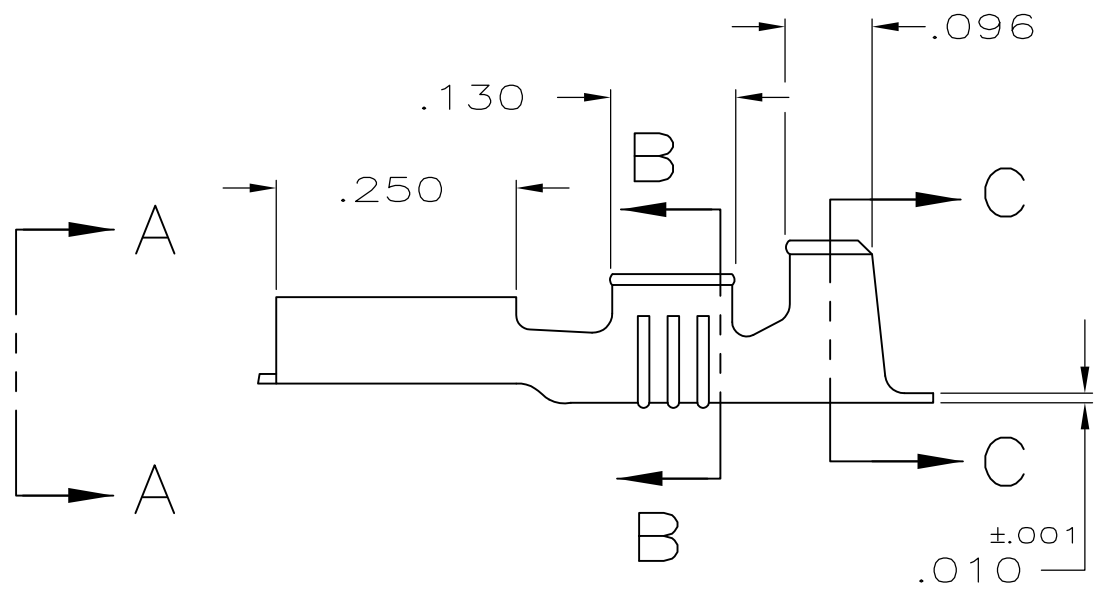
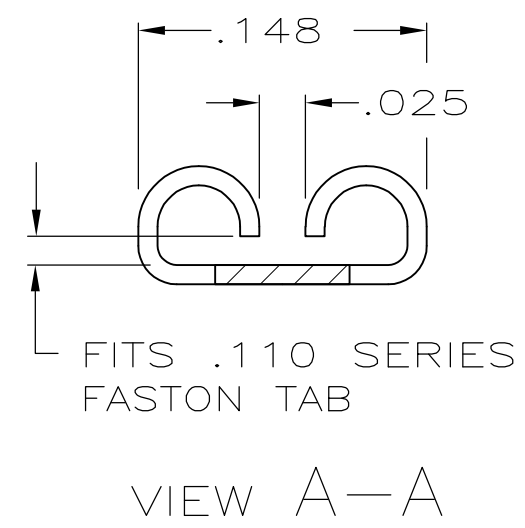
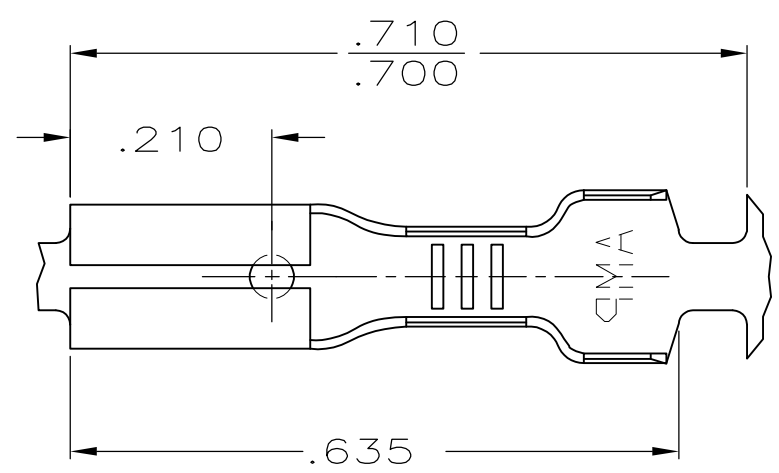


THIS DRAWING IS UNPUBLISHED. RELEASED FOR PUBLICATION
 © COPYRIGHT - By - ALL RIGHTS RESERVED.

LOC	DIST	REVISIONS			
P	LTR	DESCRIPTION	DATE	DWN	APVD
AF	50	AR	REVISED PER ECR-12-013445	18OCT12	KH PD

- 1 CONTINUOUS STRIP ON REELS.
- 2 MATING TAB THK IS $.012 \pm .001$.
- 3 WIRE SIZE IS #22-#18 AWG.
- 4 INSULATION RANGE IS $.060-.100$ DIA
- 5 REELED ON PLASTIC REELS.



5	60415-2
	60415-1
	PART NUMBER

THIS DRAWING IS A CONTROLLED DOCUMENT.		DWN	JR RUTH	6/23/87	TE Connectivity RECEPTACLE, FASTON™ .110 SERIES											
DIMENSIONS: INCHES		CHK	G YETTER	6/23/87												
TOLERANCES UNLESS OTHERWISE SPECIFIED:		APVD	C MEYERS	6/23/87												
<table border="0"> <tr><td>0 PLC</td><td>± -</td></tr> <tr><td>1 PLC</td><td>± -</td></tr> <tr><td>2 PLC</td><td>± -</td></tr> <tr><td>3 PLC</td><td>± .015</td></tr> <tr><td>4 PLC</td><td>± -</td></tr> <tr><td>ANGLES</td><td>± -</td></tr> </table>		0 PLC	± -	1 PLC				± -	2 PLC	± -	3 PLC	± .015	4 PLC	± -	ANGLES	± -
0 PLC	± -															
1 PLC	± -															
2 PLC	± -															
3 PLC	± .015															
4 PLC	± -															
ANGLES	± -															
MATERIAL	BRASS	FINISH	PRE-TIN	WEIGHT	-	SIZE	A3	CAGE CODE	00779	DRAWING NO	C-60415	RESTRICTED TO	-			
CUSTOMER DRAWING						SCALE	5:1	SHEET	1 OF 1	REV	AR					