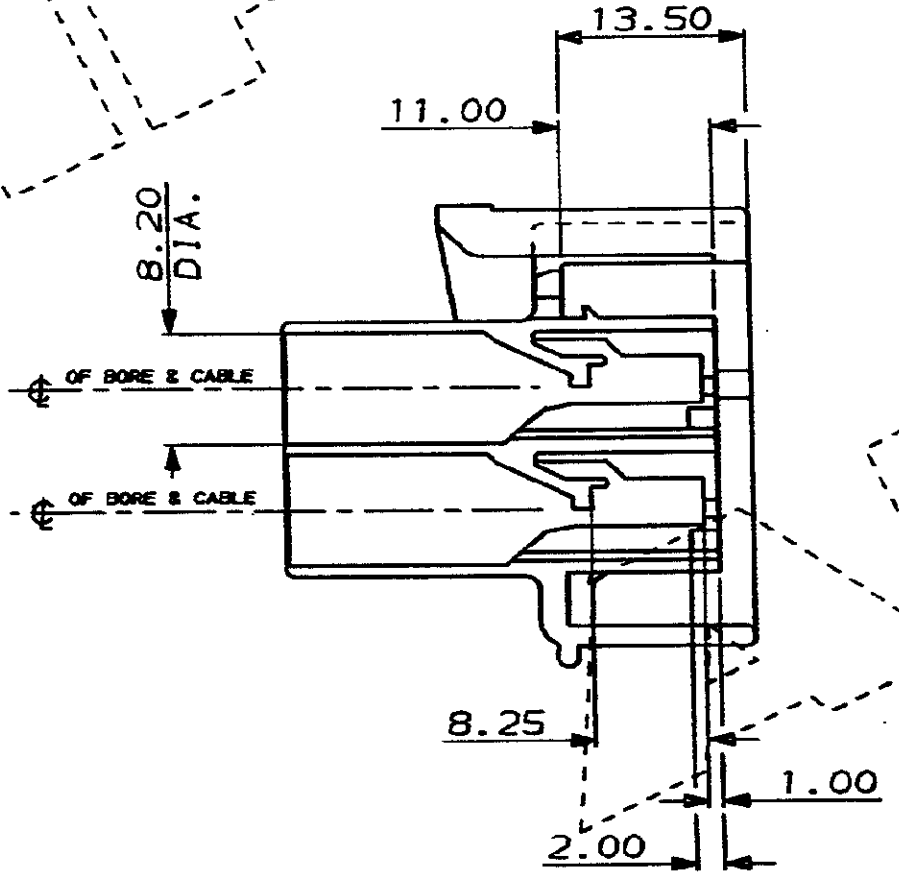
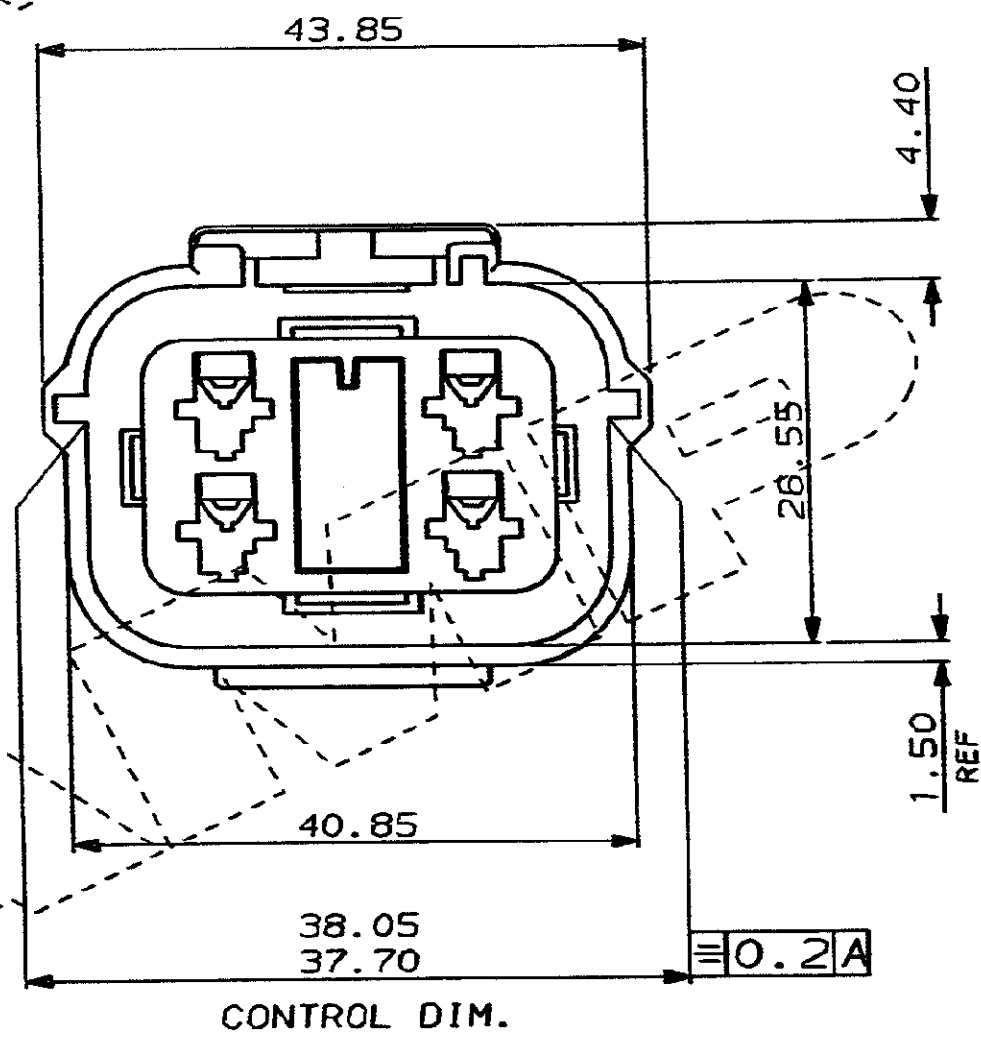
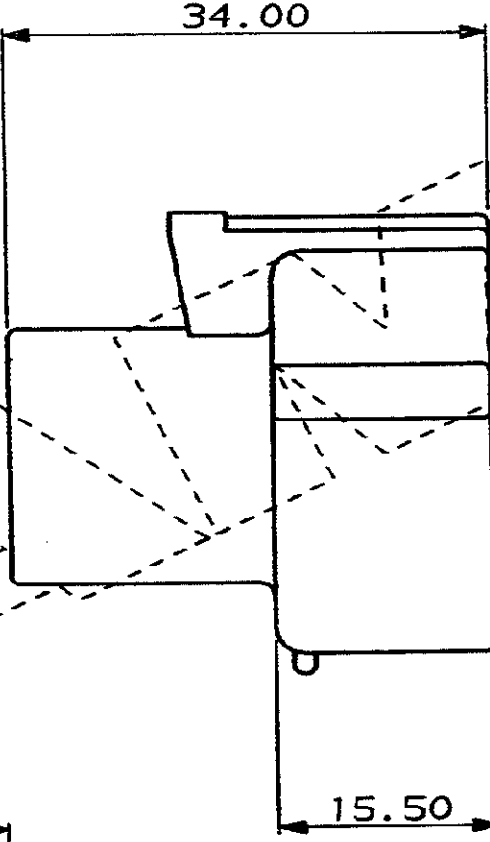
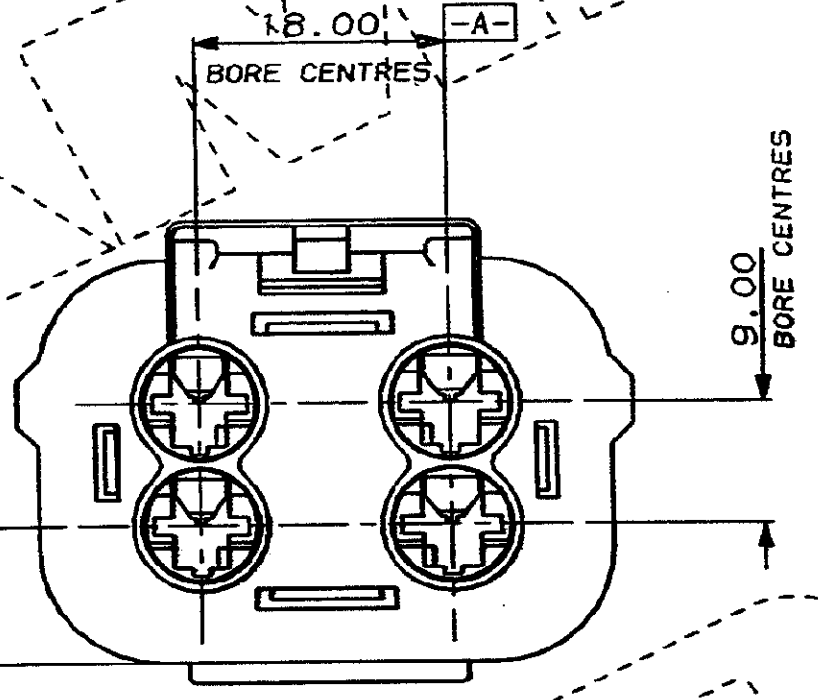
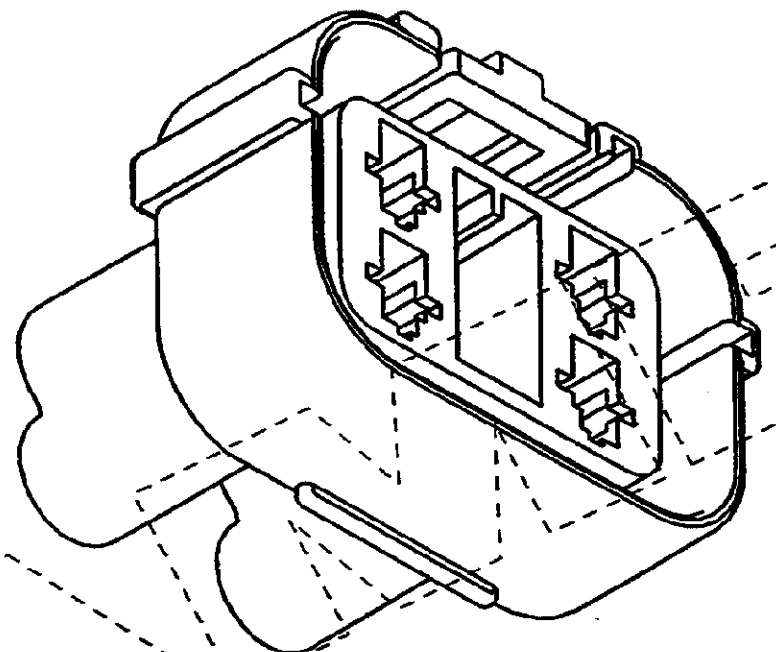
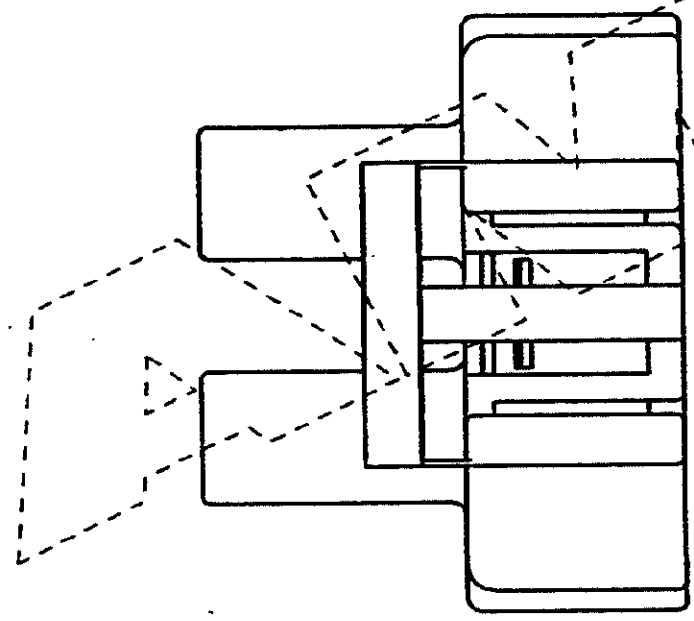
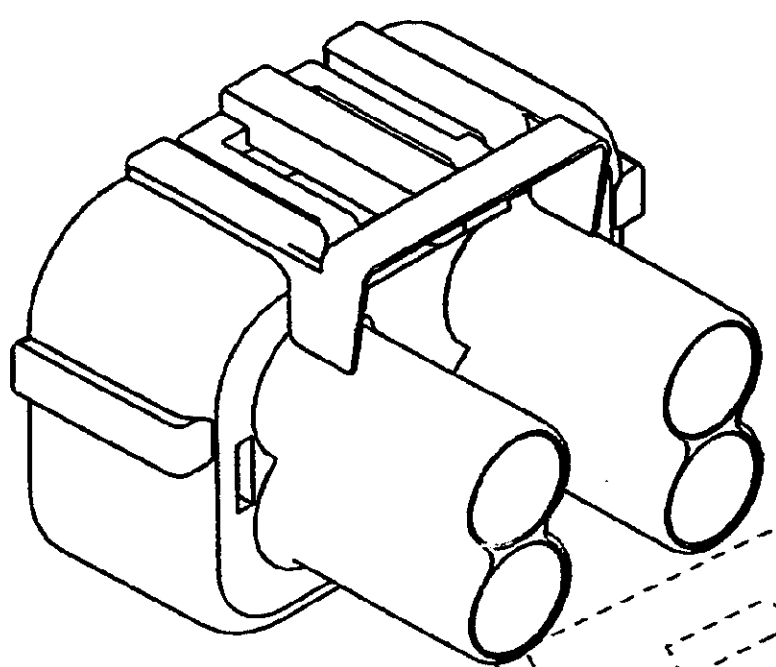
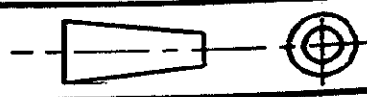


8 7 6 5 4 3 2 1

DO NOT SCALE

DIMENSIONS IN MM.



WHITE	NYLON 66	344077-4
BLUE	NYLON 66	344077-3
RED	NYLON 66	344077-2
BLACK	NYLON 66	344077-1
FINISH	MATERIAL	PART NUMBER

CUSTOMER DWG
FOR REFERENCE ONLY

© COPYRIGHT 1987 BY AMP OF GREAT BRITAIN LTD.
ALL INTERNATIONAL RIGHTS RESERVED. ALL PRODUCTS
MAY BE COVERED BY BRITISH AND FOREIGN PATENTS AND/OR PATENTS PENDING.

RELEASED FOR PUBLICATION
22/06/87

TOLERANCES UNLESS OTHERWISE STATED DEC ± 0.5 ANGLES ± 1°		DR. I. J.	22/06/87
		CH. R. J. S.	APP. B. J.
		AMP of Great Britain Ltd.	
		TERMINAL HOUSE STANNORE MIDD.	
NAME 4 WAY RECEPTACLE HSG ECONOSEAL 3 HIGH CURRENT		SCALE 2/1	LOC E
SIZE A2		DWG. No. C344077	REV C
DATE			SHEET 1/1