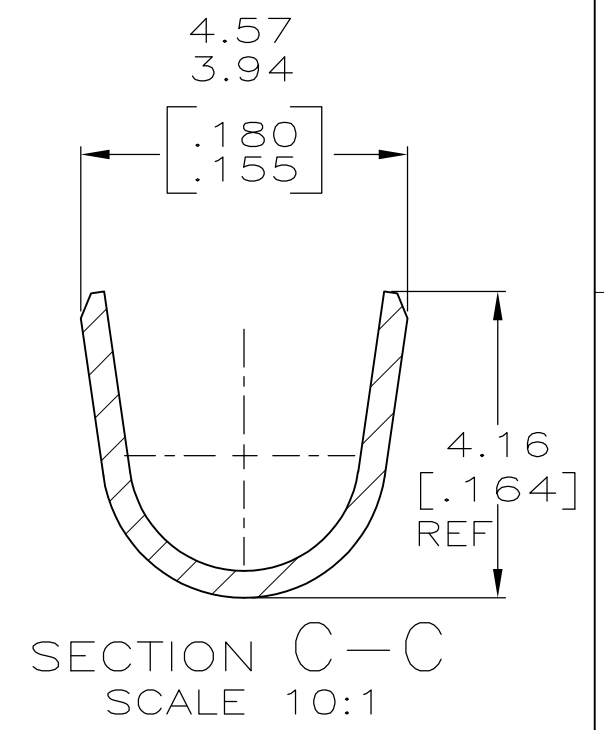
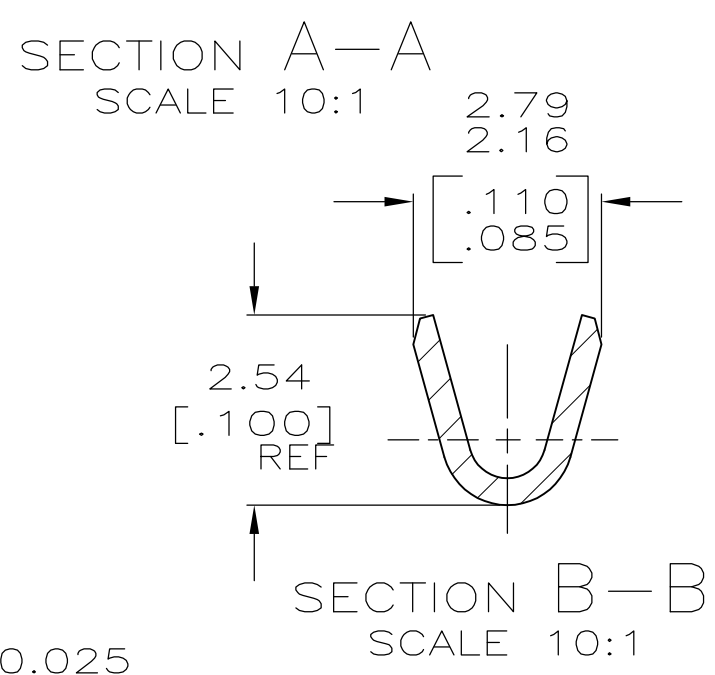
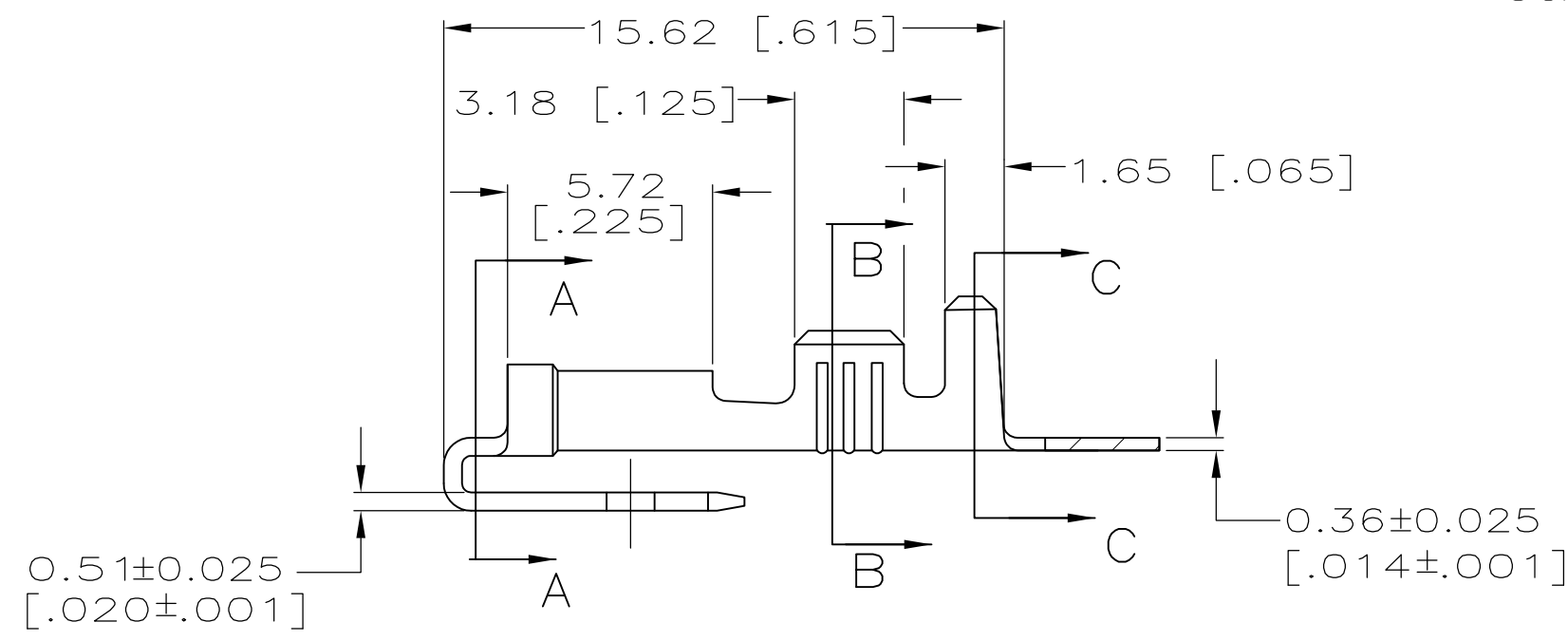
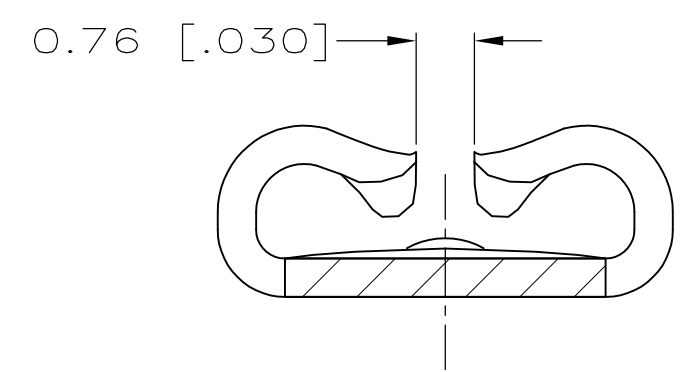
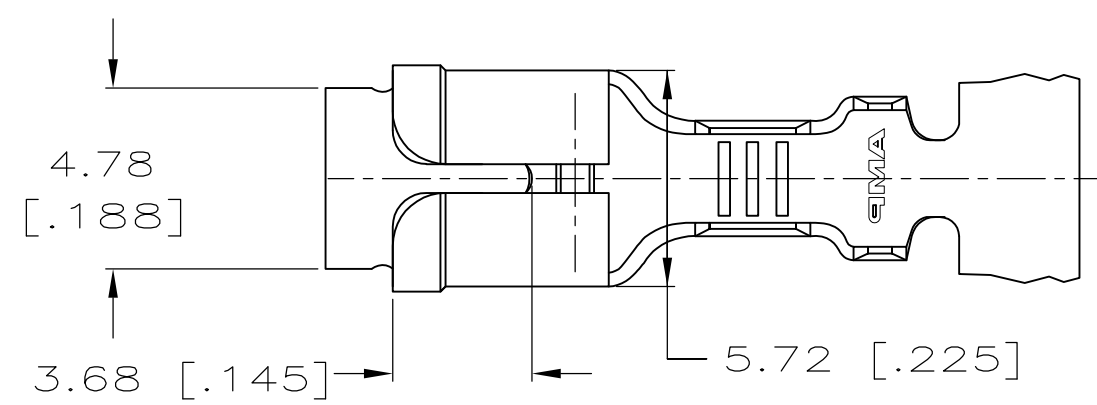


THIS DRAWING IS UNPUBLISHED. RELEASED FOR PUBLICATION
 © COPYRIGHT - By - ALL RIGHTS RESERVED.

LOC	DIST	REVISIONS					
AF	50	P	LTR	DESCRIPTION	DATE	DWN	APVD
		C		REVISED PER ECR-12-013518	26NOV2012	KH	PD

- CONTINUOUS STRIP ON REELS.
- MATING TAB THK TO BE 0.508 ± 0.025 [.020 ± .001].
- WIRE SIZE IS [#22-#18] AWG.
- INSUL. RANGE IS 2.29-3.30 [.090-.130] DIA.



1217084-1
PART NO

0	3.56 [.140]	4.77 [.188]	F	1.78 [.070]	1.40 [.055]	#18
					1.27 [.050]	#20
					1.17 [.046]	#22
TYPE	WIDTH	STRIP LENGTH #0.38 #[.015]	TYPE	WIDTH	#0.051 #[.002] HEIGHT	WIRE
INSUL BARREL CRIMP	WIRE BARREL CRIMP					

THIS DRAWING IS A CONTROLLED DOCUMENT.

DIMENSIONS: mm [INCHES]

TOLERANCES UNLESS OTHERWISE SPECIFIED:

0 PLC	± -
1 PLC	± -
2 PLC	± -
3 PLC	± 0.25 [.010]
4 PLC ANGLES	± -

MATERIAL: BRASS FINISH: TIN

DWN: JR RUTH 4/22/98
 CHK: P FORTNEY 4/22/98
 APVD: J GILLESPIE 4/22/98
 PRODUCT SPEC: -
 APPLICATION SPEC: 114-2082
 WEIGHT: -

STE TE Connectivity

RECEPTACLE & TAB, FASTON,™ PIGGYBACK, 4.75 [.187] SERIES

SIZE	CAGE CODE	DRAWING NO	RESTRICTED TO
A3	00779	C-1217084	-

CUSTOMER DRAWING SCALE 5:1 SHEET 1 OF 1 REV C