

FEATURES

- 0.65V to 2.5V Single-supply operation
- AC-coupled Non-inverting and Inverting configurations supplied
- Fully Assembled and Tested
- 2mm x 2mm 2-layer demo board

COMPONENT LIST

DESIGNATION	QTY	DESCRIPTION
C1, C2, C3, C5	4	0.1 μ F \pm 10% capacitors (0805)
C4, C6	2	1 μ F \pm 10% capacitors (0805)
R2	1	665k Ω \pm 1% resistor (0805)
R7	1	500k Ω \pm 1% resistor (0805)
R5, R6, R10	3	1M Ω \pm 1% resistors (0805)
R8, R9	2	1.25M Ω \pm 1% resistors (0805)
R1, R3, R4	3	2M Ω \pm 1% resistors (0805)
U1, U2	2	TS1001 operational amplifiers
TP1-TP11	10	Test points

DESCRIPTION

The demo board for the TS1001 is a completely assembled and tested circuit board that can be used for evaluating the TS1001. The TS1001 is the first 0.8V/0.6 μ A, precision CMOS operational amplifier in the industry. The TS1001 exhibits an offset voltage of 0.5mV, a typical input bias current of 25pA, and a rail-to-rail input and output stages. The TS1001 can operate from single-supply voltages from 0.65V to 2.5V.

The TS1001 is fully specified at $V_{DD} = 0.8V$ and over the industrial temperature range (-40°C to +85°C). It is available in a PCB-space saving 5-lead SC70 surface-mount package.

Product data sheets and additional documentation can be found at: www.silabs.com.

Ordering Information

Order Number	Description
TS1001DB	Demo Board

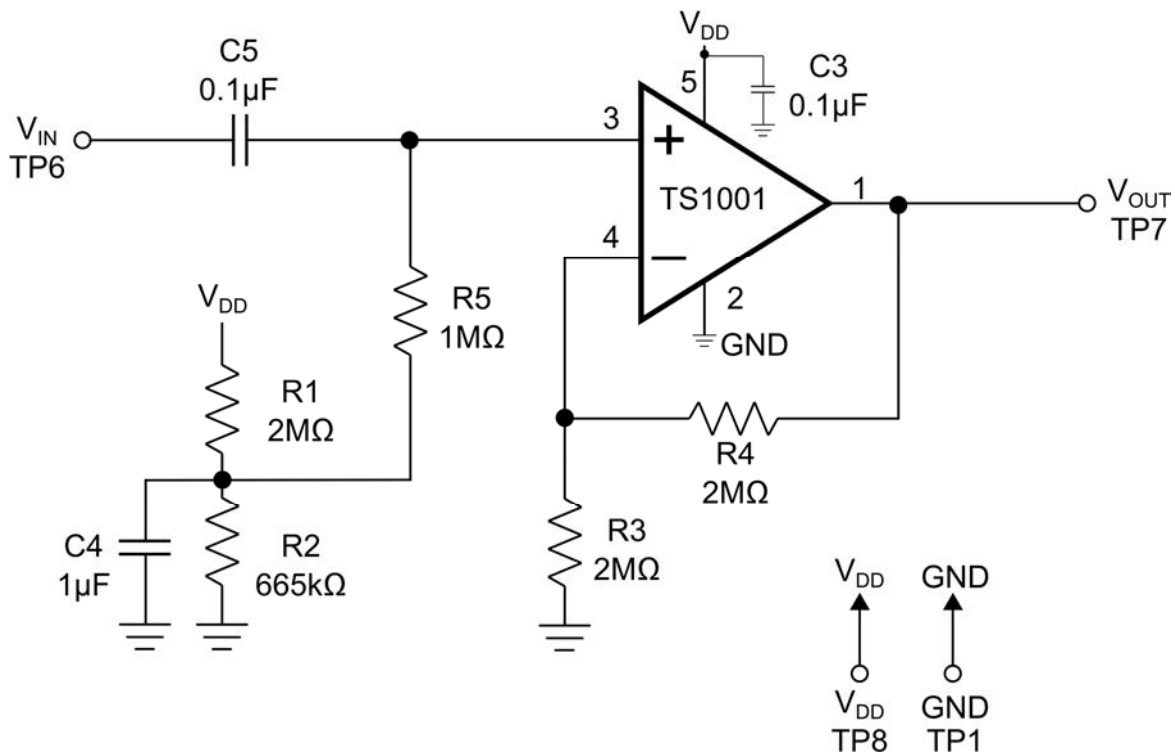


Figure 1. Non-Inverting Configuration

TS1001 Op Amp Demo Board



Description

The TS1001 demo board provides two configurations for evaluating the TS1001 operational amplifier in one single PCB board, namely a non-inverting configuration located on the left-hand side of the board and an inverting configuration located on the right-hand side of the board. In both cases, the input to each circuit is AC-coupled. The demo board provides a re-biasing scheme at one-half the power supply or $V_{DD}/2$ for the inverting configuration and at $V_{DD}/4$ for the non-inverting configuration.

The TS1001 demo board provides a dedicated power supply for the non-inverting circuit and a dedicated power supply for the inverting circuit. This provides the user the flexibility of evaluating one circuit at a time or both at the same time.

In both the non-inverting and the inverting configuration, the AC-coupling capacitor creates a high pass filter. The resulting cut-off frequency, f_c , is given as:

$$f_c = \frac{1}{2\pi RC}$$

In the non-inverting circuit, $R=R_5=1M\Omega$ and $C=C_5=0.1\mu F$. In the inverting case, $R=R_{10}=1M\Omega$ and $C=C_1=0.1\mu F$. In both cases, these component values generate a high-pass cut-off frequency of 1.6Hz.

Default Configurations

Non-Inverting configuration

In the non-inverting configuration, the circuit's transfer function is given by the following equation:

$$\frac{V_{OUT}}{V_{IN}} = 1 + \frac{R_4}{R_3}$$

With $R_4=2M\Omega$ and $R_3=2M\Omega$ the circuit signal gain is 2 with a circuit bandwidth of 2kHz. This results in an overall circuit bandwidth range of 1.6Hz to 2kHz.

Inverting configuration

In an inverting configuration, the circuit's transfer function is given by the following equation:

$$\frac{V_{OUT}}{V_{IN}} = -\frac{R_6}{R_{10}}$$

In this case, $R_6=1M\Omega$ and $R_{10}=1M\Omega$. This results in a signal gain of -1 with a circuit bandwidth of 2kHz and an overall circuit bandwidth range of 1.6Hz to 2kHz.

Quick Start Procedures

Required Equipment

- TS1001 demo board
- DC Power Supply, Single or Dual Output
- Function Generator
- 4-channel Oscilloscope
- Two $1M\Omega$ oscilloscope probes

Signal	Non-Inverting Circuit	Inverting Circuit
V_{DD}	TP8	TP4
GND	TP1, TP10, TP11	TP5, TP9
V_{IN}	TP6	TP3
V_{OUT}	TP7	TP2

Table 1. Demo board test points

Non-Inverting Configuration

In order to evaluate the TS1001 operational amplifier in the non-inverting configuration, the following steps are to be performed:

- 1) Before connecting the DC power supply to the demo board power test points, turn on the power supply and set the DC voltage to 2.5V and then turn it off.
- 2) Set the function generator frequency to 500Hz and output level with a $V_{OH} = 1.35V$ and a $V_{OL} = 1.15V$. This sets the input signal swing to 200mV_{PP}, centered at 1.25V.
- 3) In order to monitor the input and output signal, select two channels on the oscilloscope and set the vertical voltage scale and the vertical position on each channel to 100mV/DIV and -1.25V, respectively. Set the horizontal time scale to 500μs/DIV.
- 4) Connect the positive terminal of the DC power supply to TP8 and the ground terminal to TP1. For all other connections, please refer to Table 1.
- 5) Connect the signal output of the function generator to TP6 and the ground terminal to TP10.

- 6) To monitor the input, connect the signal terminal of one of the oscilloscope probes to TP6 and the ground terminal to TP10. To monitor the output, use the second probe to connect the signal terminal to TP7 and the ground terminal to TP11.
- 7) Turn on the power supply and check that the power supply current is approximately 1.8 μ A.
- 8) Turn on the function generator.
- 9) Observe the input and output signal. The output signal is an amplified version of the input signal with an output swing of approximately 400mV_{PP}, corresponding to a signal gain of two.

Inverting Configuration

In order to evaluate the TS1001 operational amplifier in the inverting configuration, the following steps are to be performed:

- 1) Before connecting the DC power supply to the demo board, turn on the power supply and set the DC voltage to 2.5V and then turn it off.
- 2) Set the function generator output frequency to 500Hz and output level with a $V_{OH} = 1.35V$ and a $V_{OL} = 1.15V$. This sets the input swing to 200mV_{PP}, centered at 1.25V.

- 3) In order to monitor the input and output signal, select two channels on the oscilloscope and set the vertical voltage scale and the vertical position on each channel to 100mV/DIV and -1.25V, respectively. Set the horizontal time scale to 500 μ s/DIV.
- 4) Connect the positive terminal of the DC power supply to TP4 and the ground terminal to TP5. For all other connections, please refer to Table 1.
- 5) Connect the signal output of the function generator to TP3 and the ground terminal to TP9.
- 6) To monitor the input, connect the signal terminal of one of the oscilloscope probes to TP3 and the ground terminal to TP9. To monitor the output, use the second probe to connect the signal terminal to TP2 and the ground terminal to TP9.
- 7) Turn on the power supply and check that the power supply current is approximately 1.7 μ A.
- 8) Turn on the function generator.
- 9) Observe the input and output signal. The output signal is an inverted version of the input signal and the swing should be 200mV_{PP}.

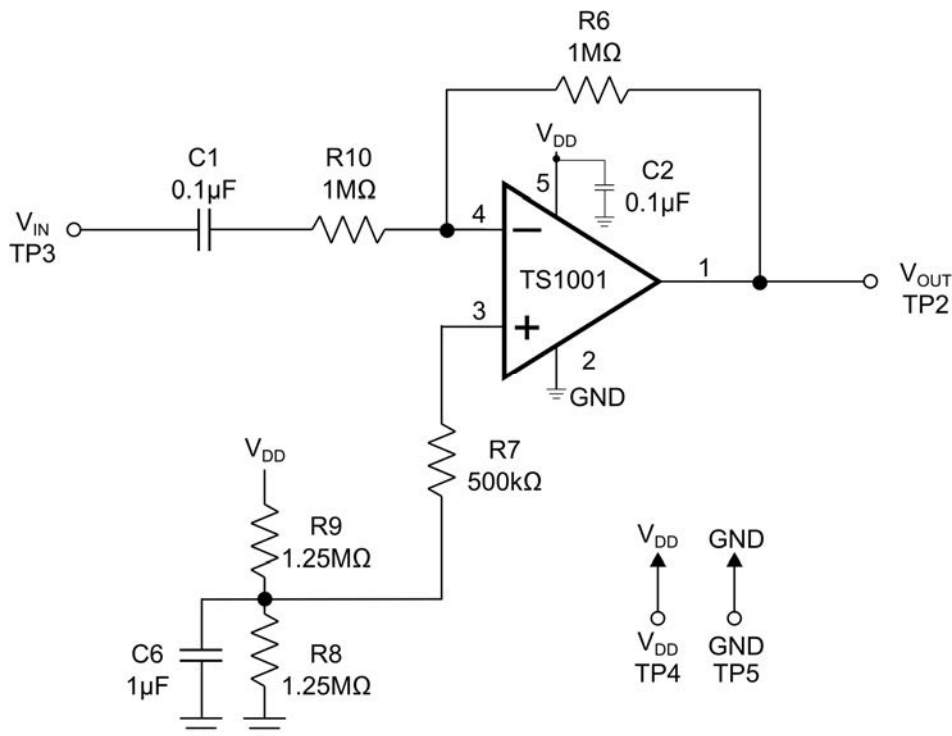


Figure 2. Inverting Configuration

TS1001 Op Amp Demo Board

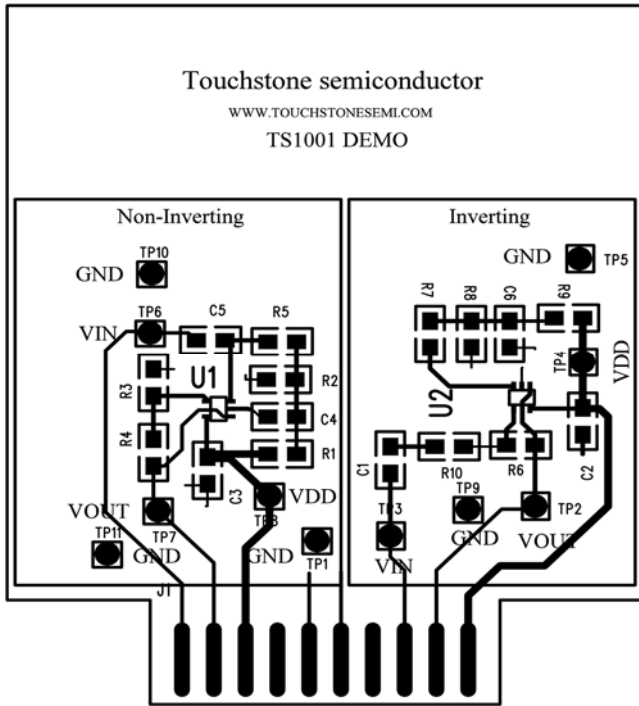


Figure 3. Top Layer Component View

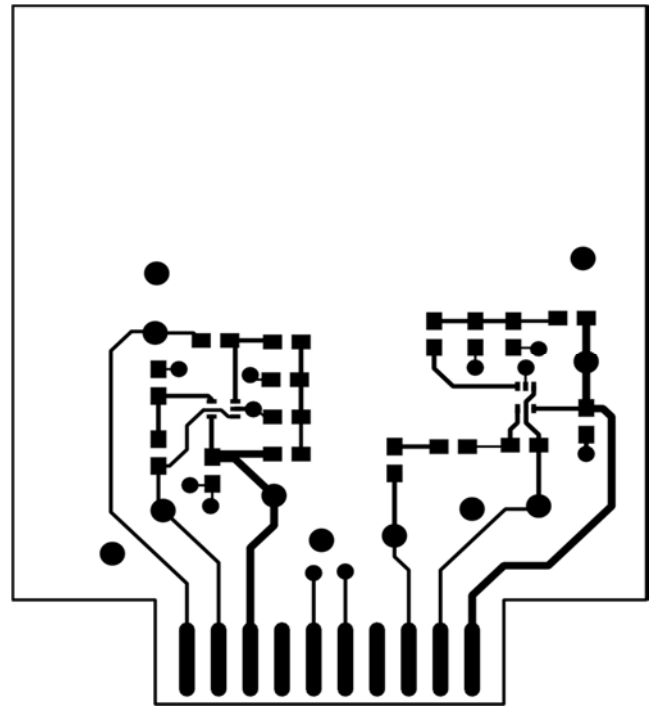


Figure 4. Top Layer Trace View

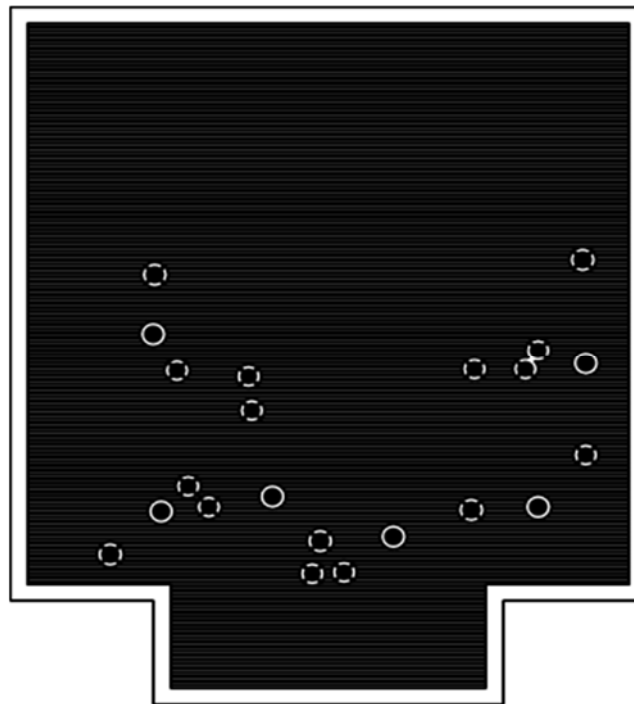
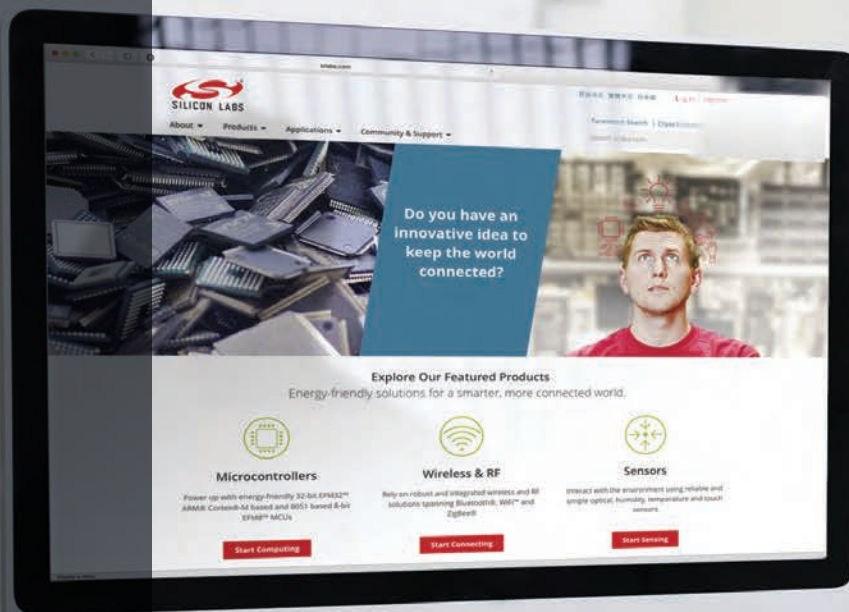


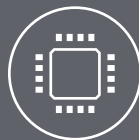
Figure 5. Bottom Layer (GND)



Smart.
Connected.
Energy-Friendly



Products
www.silabs.com/products



Quality
www.silabs.com/quality



Support and Community
community.silabs.com

Disclaimer

Silicon Laboratories intends to provide customers with the latest, accurate, and in-depth documentation of all peripherals and modules available for system and software implementers using or intending to use the Silicon Laboratories products. Characterization data, available modules and peripherals, memory sizes and memory addresses refer to each specific device, and "Typical" parameters provided can and do vary in different applications. Application examples described herein are for illustrative purposes only. Silicon Laboratories reserves the right to make changes without further notice and limitation to product information, specifications, and descriptions herein, and does not give warranties as to the accuracy or completeness of the included information. Silicon Laboratories shall have no liability for the consequences of use of the information supplied herein. This document does not imply or express copyright licenses granted hereunder to design or fabricate any integrated circuits. The products must not be used within any Life Support System without the specific written consent of Silicon Laboratories. A "Life Support System" is any product or system intended to support or sustain life and/or health, which, if it fails, can be reasonably expected to result in significant personal injury or death. Silicon Laboratories products are generally not intended for military applications. Silicon Laboratories products shall under no circumstances be used in weapons of mass destruction including (but not limited to) nuclear, biological or chemical weapons, or missiles capable of delivering such weapons.

Trademark Information

Silicon Laboratories Inc., Silicon Laboratories, Silicon Labs, SiLabs and the Silicon Labs logo, CMEMS®, EFM, EFM32, EFR, Energy Micro, Energy Micro logo and combinations thereof, "the world's most energy friendly microcontrollers", Ember®, EZLink®, EZMac®, EZRadio®, EZRadioPRO®, DSPLL®, ISOmodem®, Precision32®, ProSLIC®, SiPHY®, USBXpress® and others are trademarks or registered trademarks of Silicon Laboratories Inc. ARM, CORTEX, Cortex-M3 and THUMB are trademarks or registered trademarks of ARM Holdings. Keil is a registered trademark of ARM Limited. All other products or brand names mentioned herein are trademarks of their respective holders.



Silicon Laboratories Inc.
400 West Cesar Chavez
Austin, TX 78701
USA

<http://www.silabs.com>