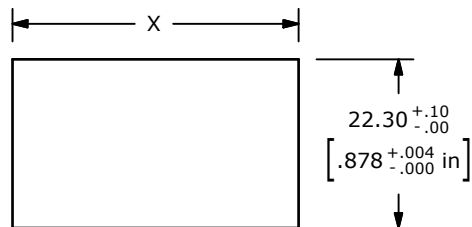
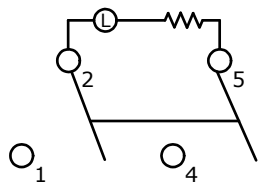
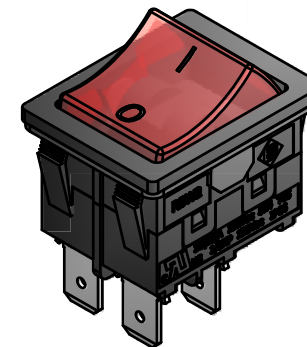
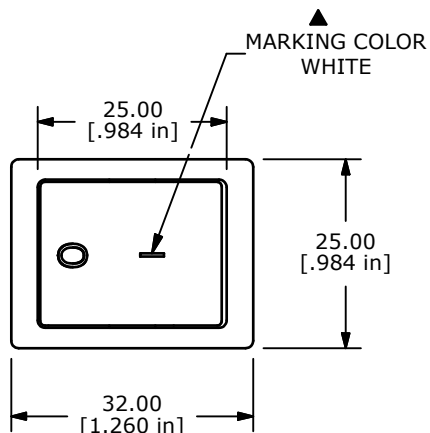


SWITCH FUNCTION ▲		
POS. 1	POS. 2	POS. 3
OFF	NONE	ON
OPEN	N/A	2-1, 5-4



RECOMMENDED PANEL MOUNTING

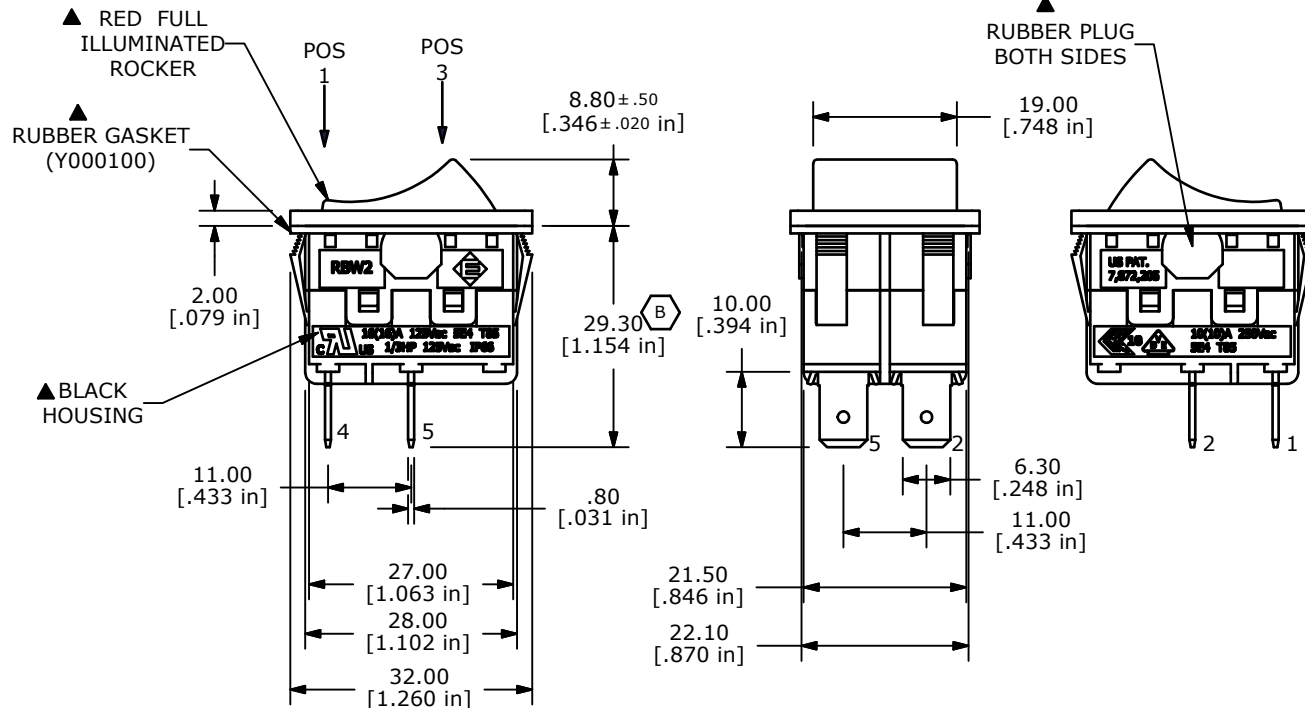
PANEL THICKNESS	X
1.2-1.8	29.9/30.0
1.8-2.4	30.3/30.4
2.4-3.0	30.7/30.8



CIRCUIT: SPDT FUNCTIONS

NOTES:

- ALL DIMENSIONS IN MM [INCH]
- GENERAL TOLERANCE: X.X=±0.4
X.XX=±0.25
- TERM. NOS. FOR REF. ONLY
- RATING: CUL: 16(16)A 125VAC 5E4 T85
1/3HP 125VAC IP66
VDE: 10(10)A 250VAC 5E4 T85
- MECHANICAL LIFE: 50,000 CYCLES
- CONTACT RESISTANCE: <30 MILLI-OHMS INITIAL
- DIELECTRIC STRENGTH: 1000V AC 1MIN
- ▲ DENOTES CRITICAL PARAMETER.
- INSULATION RESISTANCE: 500M OHMS AT 500VDC
- OPERATING TEMP: -20°C to 85°C
- ▲ LAMP: 125VAC NEON
- RATING: IP66
- 2002/95/EC (ROHS) COMPLIANT



B	20086	ADD RUBBER GASKET, DIM was 29.00	8/10/11	BGL
A	19860	New Release	4/19/11	BGL
REV	PCR NO	DESCRIPTION	DATE	BY

TITLE RBW2ABLKRILFF1				
SCALE	DATE	DR	DWG	REV
2:1	4/19/2011	BGL	Y100009	B

THE INFORMATION CONTAINED IN THIS DOCUMENT IS PROPRIETARY TO E-SWITCH AND IS NOT TO BE COPIED OR TRANSFERRED