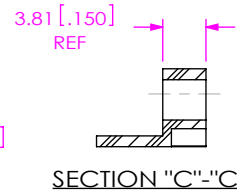
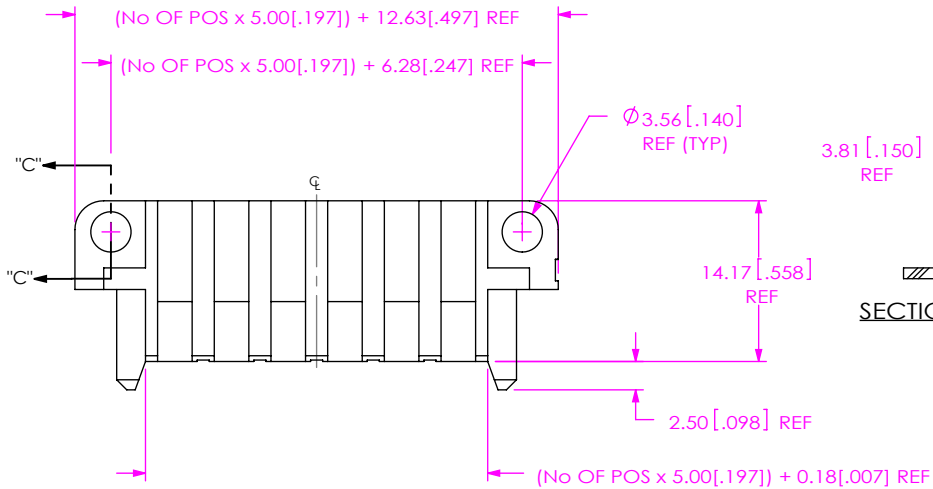


DO NOT
SCALE FROM
THIS PRINT



No OF POSITIONS
-02, -04, -06, -08

LEAD STYLE
-01

TAIL LENGTH
-01: FOR 1.57[.062]
THICK PCB
(USE SUB-C-215-01-X)
**02: FOR 2.36[.093]
THICK PCB
(USE SUB-C-215-04-X)
-03: FOR 2.36[.093]
THICK PCB
(USE SUB-C-215-04-X)

OPTION
-SD: SCREW DOWN
(SEE FIG 1, SHT 1)
-LC: LOCKING CLIP
(USE LC-07-TM)
(SEE FIG 2, SHT 2)
(LEAVE BLANK FOR STANDARD
OPTION) (SEE FIG 3)

RIGHT ANGLE

PLATING SPECIFICATION
-L: 10µ" GOLD IN CONTACT
AREA, MATTE TIN ON TAIL
-T: MATTE TIN ALL OVER

**=EXISTING CUSTOMERS ONLY

TABLE 1		
TAIL LENGTH	"A"	SUB-C-215-XX-X
-01	2.72[.107]	SUB-C-215-01-X
-03	3.52[.139]	SUB-C-215-04-X

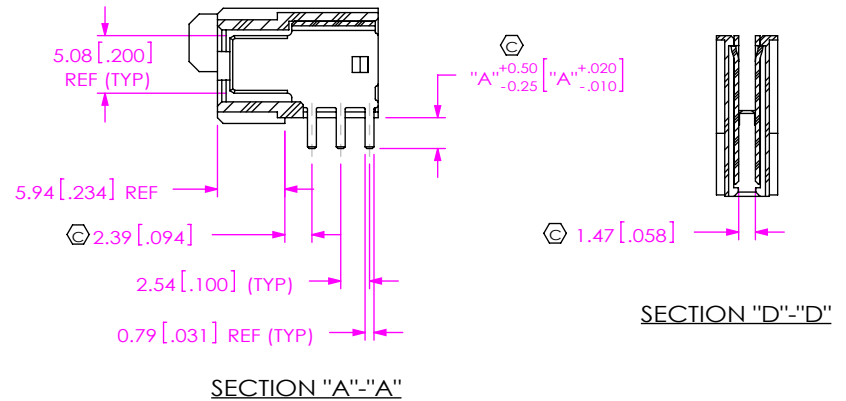
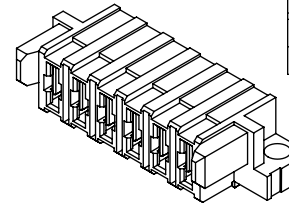
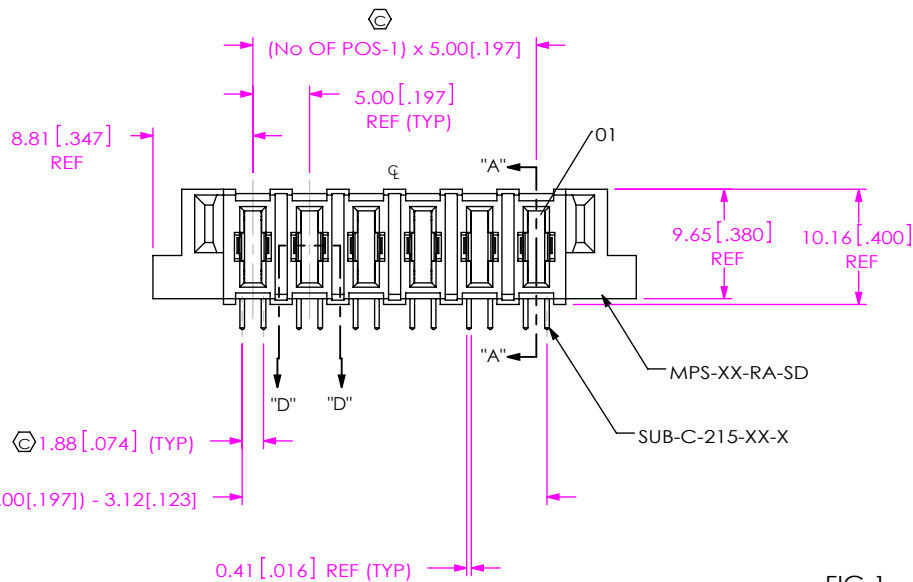


FIG 1
MPS-06-01-X-RA-SD SHOWN

NOTES:

- ⊕ REPRESENTS A CRITICAL DIMENSION.
- BURR ALLOWANCE: 0.038[.0015] MAX.
- MINIMUM PUSHOUT FORCE: 4.45N[1.0 LB].
- PARTS TO BE PACKAGED IN TRAYS. TERMINAL #1 ORIENTATION ON TRAY DOES NOT APPLY.
- BOW ALLOWED AT 0.075MM[.0030]/25.0MM[.98].
- NOTE DELETED.

UNLESS OTHERWISE SPECIFIED,
DIMENSIONS ARE IN MILLIMETERS.
TOLERANCES ARE:
DECIMALS ANGLES
X.X: ±0.3 [01] 2°
X.XX: ±0.13 [005]
X.XXX: ±0.051 [0020]

PROPRIETARY NOTE
THIS DOCUMENT CONTAINS CONFIDENTIAL AND PROPRIETARY INFORMATION AND ALL DESIGN, MANUFACTURING, REPRODUCTION, USE, PATENT RIGHTS AND SALES RIGHTS ARE EXPRESSLY RESERVED BY SAMTEC, INC. THIS DOCUMENT SHALL NOT BE DISCLOSED, IN WHOLE OR PART, TO ANY UNAUTHORIZED PERSON OR ENTITY NOR REPRODUCED, TRANSFERRED OR INCORPORATED IN ANY OTHER PROJECT IN ANY MANNER WITHOUT THE EXPRESS WRITTEN CONSENT OF SAMTEC, INC.

MATERIAL: DO NOT SCALE DRAWING
INSULATOR: LCP, UL 94V-0, COLOR: BLACK
CONTACT: COPPER ALLOY

SHEET SCALE: 1:5:1



520 PARK EAST BLVD, NEW ALBANY, IN 47150
PHONE: 812-944-6733 FAX: 812-948-5047
e-Mail: info@SAMTEC.com code: 55322

DESCRIPTION:
RIGHT ANGLE MINI-POWER SOCKET

DWG. NO.
MPS-XX-01-XX-X-RA-XX

BY: BRATCHER 2/15/2007 SHEET 1 OF 2

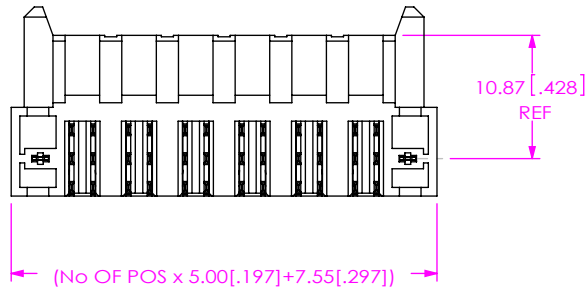
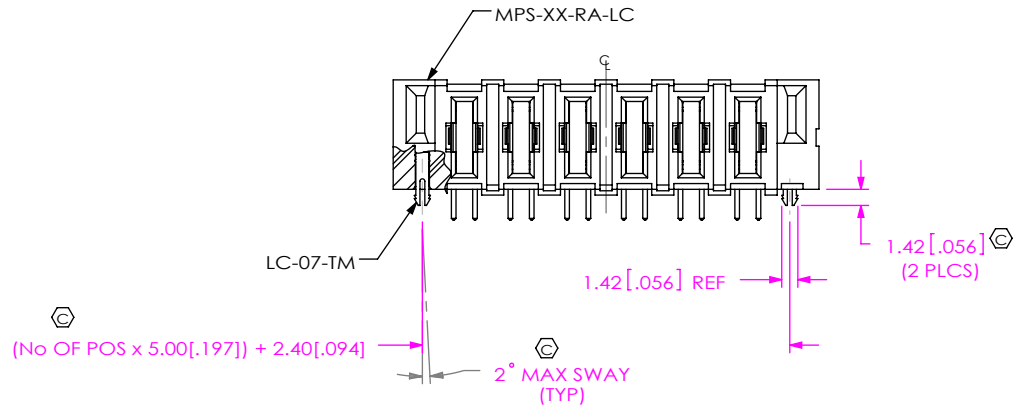


FIG 2
MPS-06-01-X-RA-LC SHOWN
(SAME AS FIG 1, UNLESS OTHERWISE STATED)

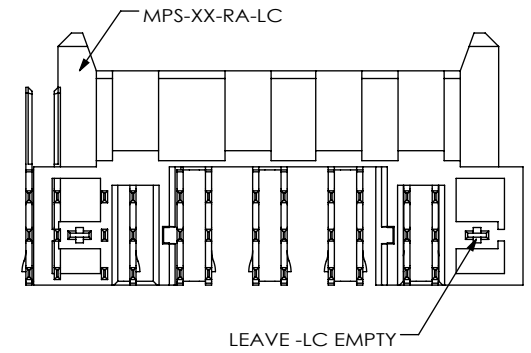
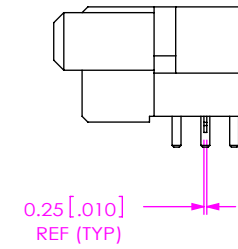


FIG 3
MPS-06-01-X-RA SHOWN
(SAME AS FIG 2, UNLESS OTHERWISE STATED)

PROPRIETARY NOTE
THIS DOCUMENT CONTAINS CONFIDENTIAL AND PROPRIETARY INFORMATION AND ALL DESIGN, MANUFACTURING, REPRODUCTION, USE, PATENT RIGHTS AND SALES RIGHTS ARE EXPRESSLY RESERVED BY SAMTEC, INC. THIS DOCUMENT SHALL NOT BE DISCLOSED, IN WHOLE OR PART, TO ANY UNAUTHORIZED PERSON OR ENTITY NOR REPRODUCED, TRANSFERRED OR INCORPORATED IN ANY OTHER PROJECT IN ANY MANNER WITHOUT THE EXPRESS WRITTEN CONSENT OF SAMTEC, INC.

DO NOT SCALE DRAWING

SHEET SCALE: 1.5:1

samtec

520 PARK EAST BLVD, NEW ALBANY, IN 47150
PHONE: 812-944-6733 FAX: 812-948-5047
e-Mail: info@SAMTEC.com code: 55322

DESCRIPTION: RIGHT ANGLE MINI-POWER SOCKET

DWG. NO. **MPS-XX-01-XX-X-RA-XX**

BY: BRATCHER 2/15/2007 SHEET 2 OF 2