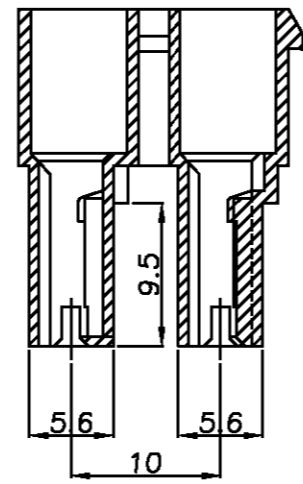
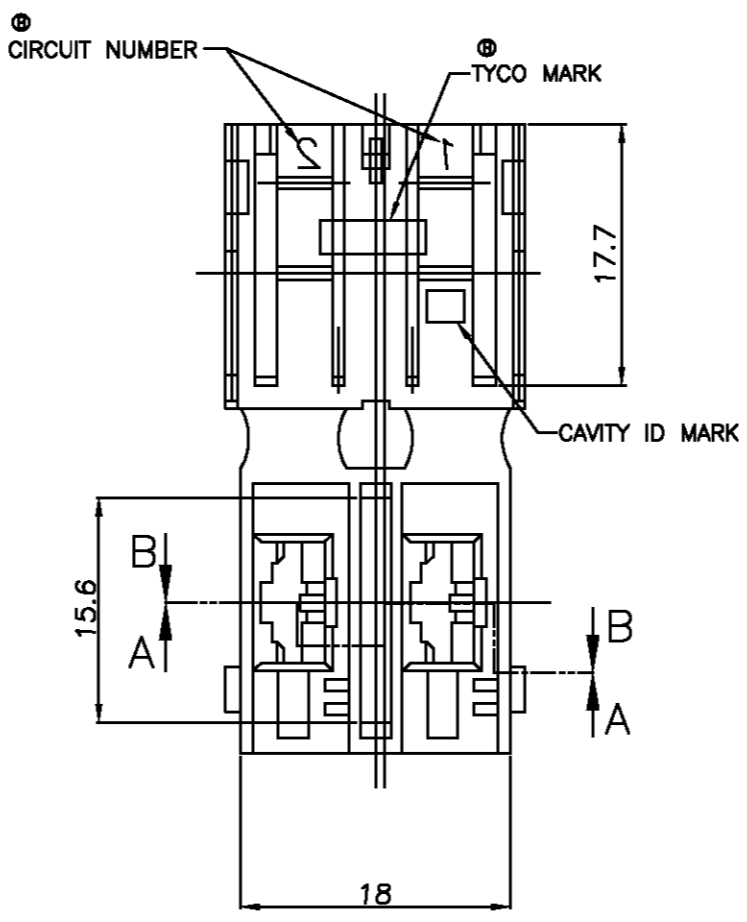
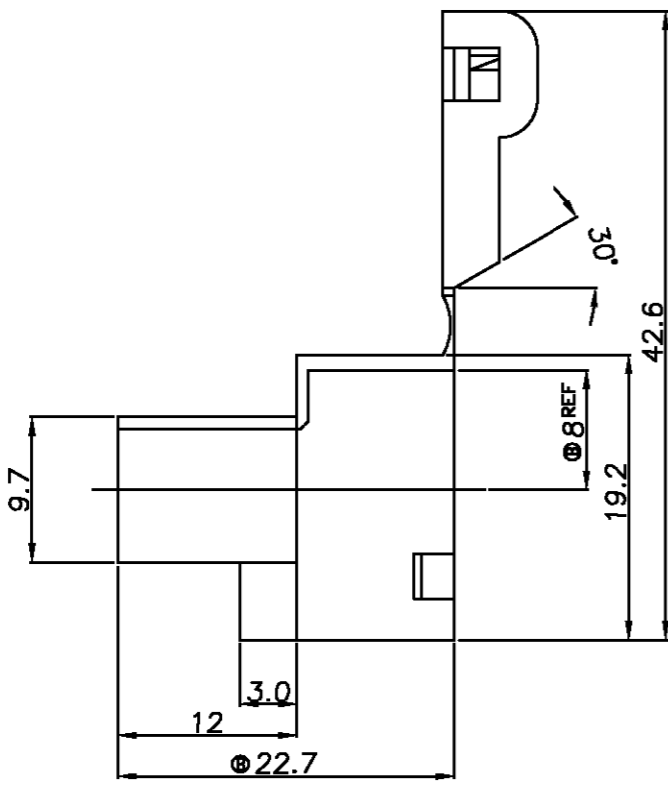
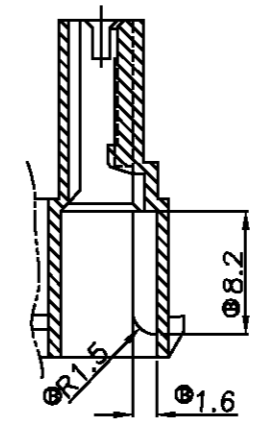


THIS DRAWING IS UNPUBLISHED. RELEASED FOR PUBLICATION
 © COPYRIGHT BY TYCO ELECTRONICS CORPORATION. ALL RIGHTS RESERVED.

LOC	DIST	REVISIONS					
		P	LTR	DESCRIPTION	DATE	DWN	APVD
DS			O	RELEASED	JAN/27/94	EH	CS
			A	REVISED(FC00-0038-02)	FEB/26/02	BW	CS
			B	REVISED(FC00-0131-03)	SEP/05/'03	BH	CS



SECT. A-A



SECT. B-B

- NOTE:
1. APPLICABLE CONTACT P/N
936603-1, 936604-1, 936605-1
 2. PRODUCT SPEC. ; 108-5162
 3. INSTRUCTION SHEET ; IS-212J.

GREEN	85091-4
YELLOW	85091-3
BLUE	85091-2
NATURAL	85091-1
COLOR	P/N

<small>THIS DRAWING IS A CONTROLLED DOCUMENT FOR TYCO ELECTRONICS CORPORATION IT IS SUBJECT TO CHANGE AND THE CONTROLLING ENGINEERING ORGANIZATION SHOULD BE CONTACTED FOR THE LATEST REVISION.</small>		DWN : BH CHO				AMP KOREA. kyungsan, korea					
DIMENSIONS: MM		CHK : BW KANG				NAME					
TOLERANCES UNLESS OTHERWISE SPECIFIED: 0 <XX<10 ± 0.2 10 <XX<30 ± 0.25 30 <XX ± 0.3 ANGLES ± 3°		APVD : CS LEE		"250" SER.FLAG POSITIVE LOCK HSG FOR LAYOUT							
 3rd ANGLE PROJECTION		PRODUCT SPEC		SIZE		CAGE CODE		DRAWING NO		RESTRICTED TO	
MATERIAL		FINISH		WEIGHT		A3		00779		C=	
6/6 NYLON						85091		SCALE		SHEET	
						2/1		1 OF 1		REV B	