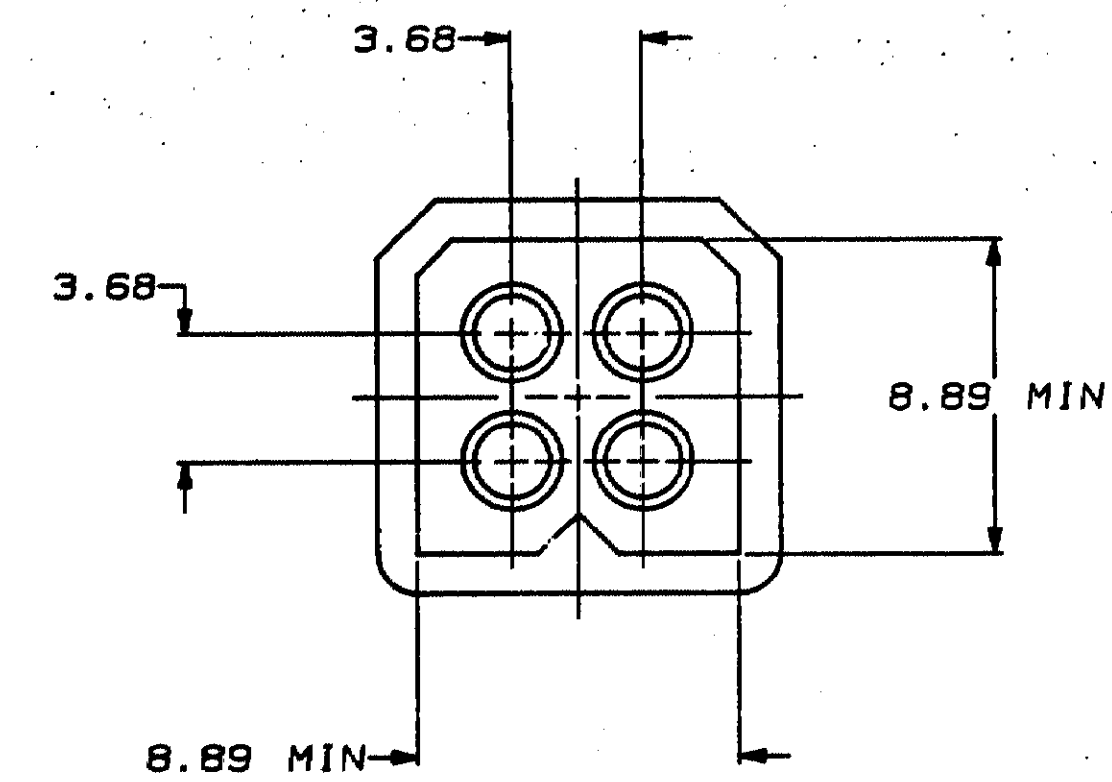
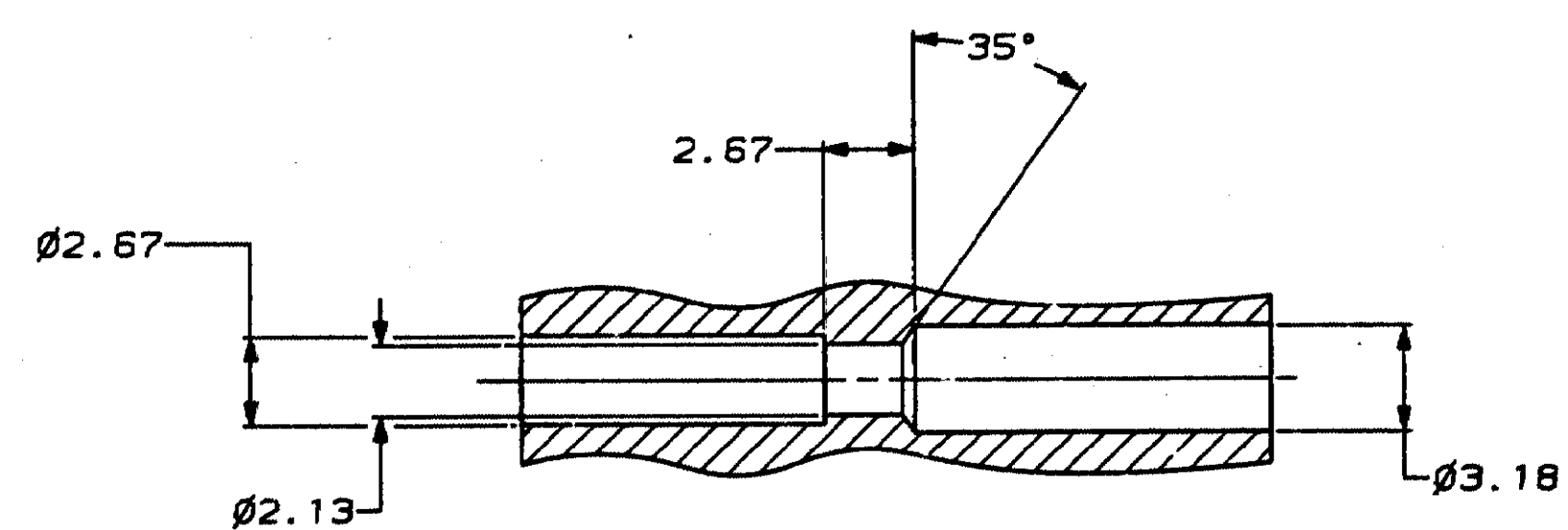


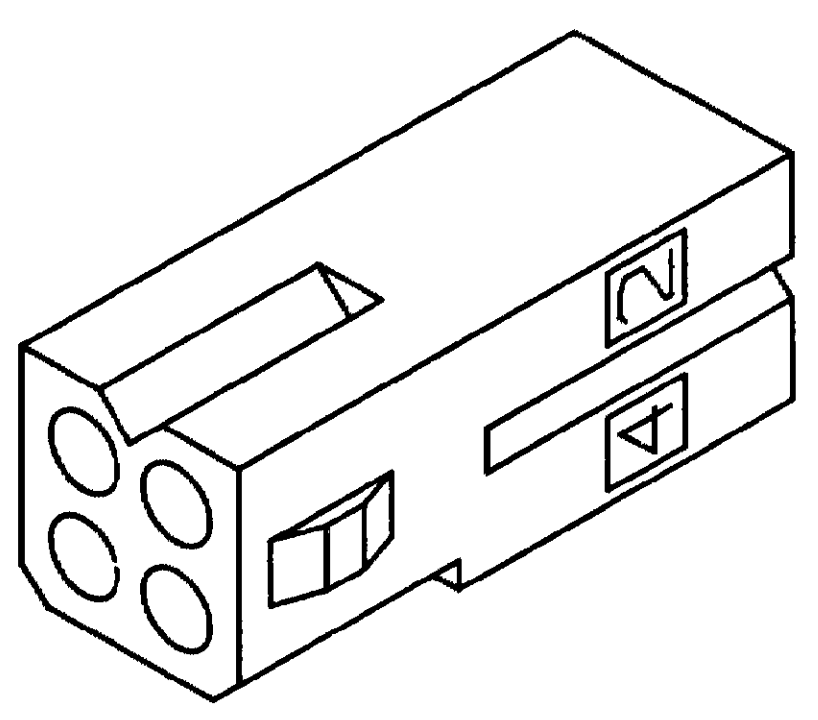
△ AMP LOGO LOCATED THIS SURFACE.



MATING CONNECTOR INTERFACE



TYPICAL RECEPTACLE CAVITY SECTION
(DIMENSIONS REFERENCE ONLY)



3-DIMENSIONAL MODEL
NTS

2.67	.105	22.05	.868
2.13	.084	8.89	.350
1.57	.062	8.76	.345
0.25	.010	3.68	.145
0.13	.005	3.18	.125
MM	IN	MM	IN

CONVERSION TABLE

METRIC

BLACK	NYLON, UL94V-2	770442-3
NATURAL	NYLON, UL94V-2	770442-1
COLOR	MATERIAL	PART NO

DO NOT SCALE PRINT. UNLESS SPECIFIED DIMENSIONS IN INCHES TOLERANCES ON:		DR K. WHITAKER 11-2-88	
2 PLC DEC ±		CHK R. SWING 11-2-88	
3 PLC DEC ± 0.13		APPD R. CARSON 11-4-88	
ANGLES ±		NAME	
MATERIAL		RECEPTACLE, 4 CIRCUIT, .062 PIN AND SOCKET	
SEE TABLE		PRODUCT SPEC	
FINISH		APPLICATION SPEC	
WEIGHT		SCALE 5:1	
SIZE D	FSCM NO 00779	DRAWING NO 770442	
		SHEET 1 OF 1	