

Cable gland - HC-B-GB-M32-ER-AL - 1414665

Please be informed that the data shown in this PDF Document is generated from our Online Catalog. Please find the complete data in the user's documentation. Our General Terms of Use for Downloads are valid (<http://phoenixcontact.com/download>)



Set consisting of: EVO metal adapter 1414258 and metal screw connection with bending armor rod 1415184, M32



Key Commercial Data

Packing unit	1 pc
Custom tariff number	85389099
Country of origin	Germany

Technical data

Dimensions

Wrench size, union nut	36 mm
Wrench size, support	36 mm
External cable diameter	13 mm ... 21 mm

Ambient conditions

Ambient temperature (operation)	-40 °C ... 100 °C
---------------------------------	-------------------

General

Cable gland material	Nickel-plated brass
Material, pressure screw	Nickel-plated brass
Thread type on connection side	Bayonet
Thread type on seal side	M32

Classifications

eCl@ss

eCl@ss 5.1	27143424
eCl@ss 6.0	27261207

Cable gland - HC-B-GB-M32-ER-AL - 1414665

Classifications

ETIM

ETIM 5.0	EC000441
----------	----------

Approvals

Approvals

Approvals

EAC

Ex Approvals

Approvals submitted

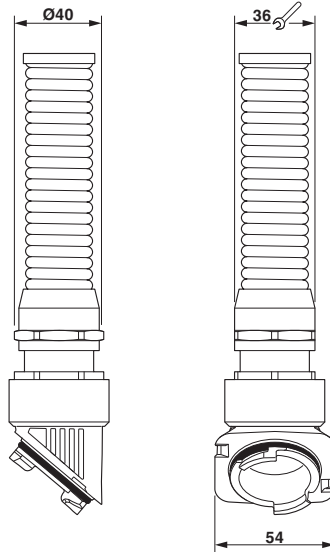
Approval details

EAC

Drawings

Cable gland - HC-B-GB-M32-ER-AL - 1414665

Dimensional drawing



Dimensional drawing