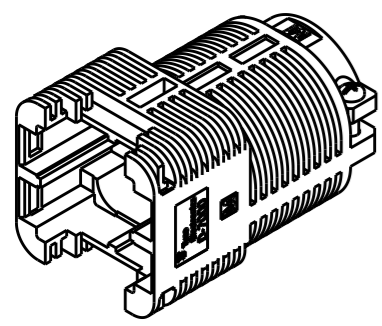


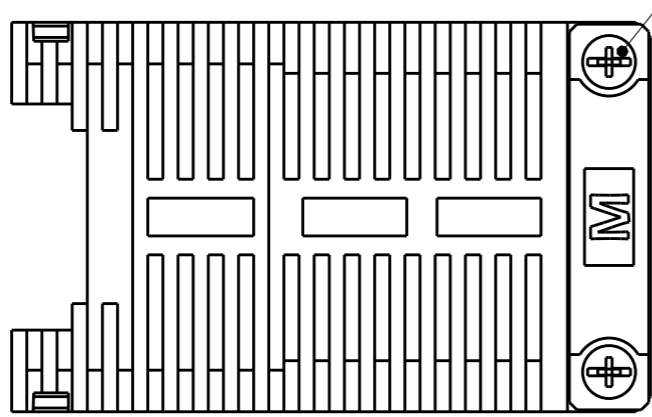
THIS DRAWING IS UNPUBLISHED. RELEASED FOR PUBLICATION 20  
 © COPYRIGHT 20 BY Tyco Electronics Japan G.K. ALL RIGHTS RESERVED.

LOC	DIST	REVISIONS					
		P	LTR	DESCRIPTION	DATE	DWN	APVD
J	-		D	REVISED	07JAN2013	H.U	N.Y

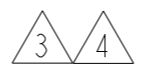
### CLAMP COVER ASSY



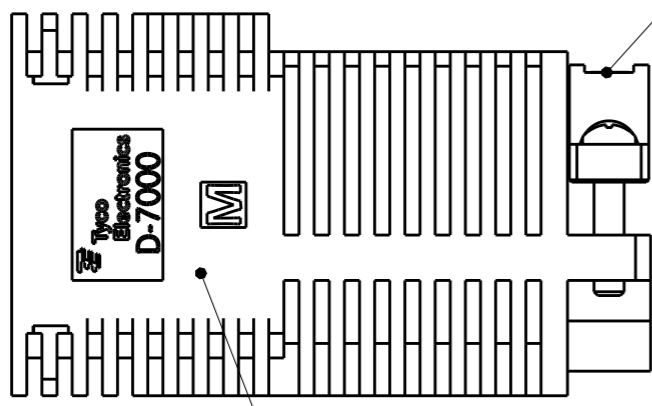
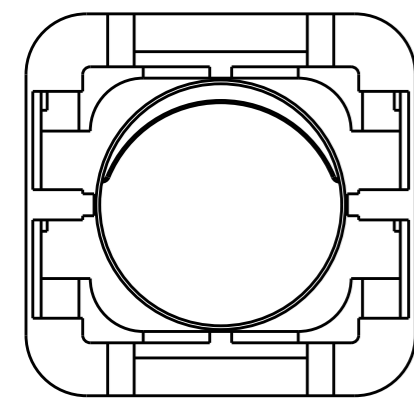
SCALE 1:2



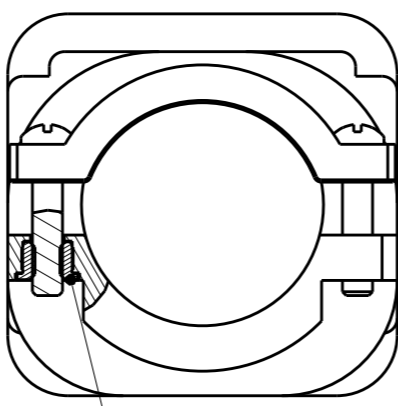
SCREW M4  
 STEEL (FINISH: BLACK OXIDE)



CLAMP SADDLE HSG  
 GF THERMOPLASTIC 94V-0



CLAMP COVER HSG  
 GF THERMOPLASTIC 94V-0



INSERT NUT M4  
 BRASS



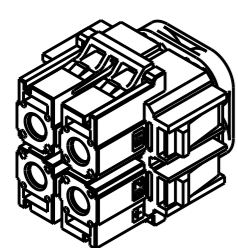
1. THE SHAPE, SIZE AND POSITION OF THE CHARACTER SHOW THE OUTLINE. THEY DON'T SHOW DETAILS.
  2. CONTACT OUR SALES ABOUT ANOTHER KEYING PRODUCT.
- △3 MATERIAL.  
 △4 FINISH.

AS SHOWN : 1-2069313-1

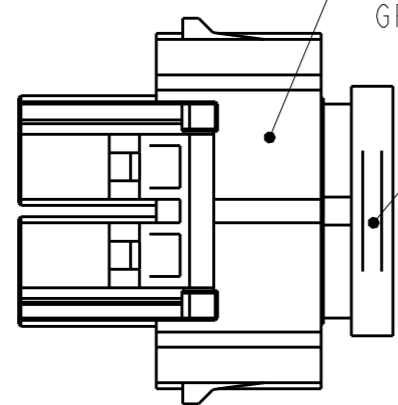
APPLICATED CABTIRE CABLE  
 INSULATION DIA  
 SIZE S : Ø19~25  
 SIZE M : Ø25~31

APPLICATED SOCKET CONTACTS  
 1871132-\*

### SOCKET HSG ASSY



SCALE 1:2

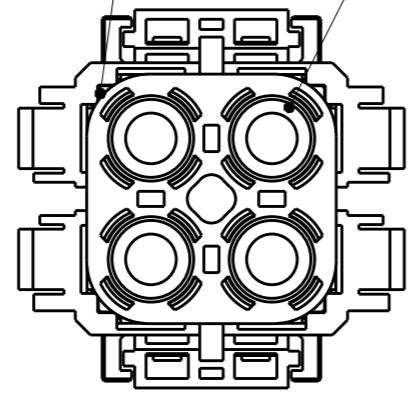
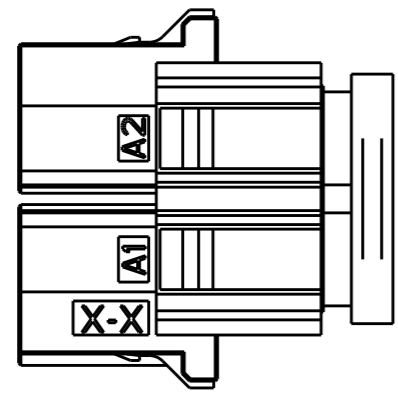
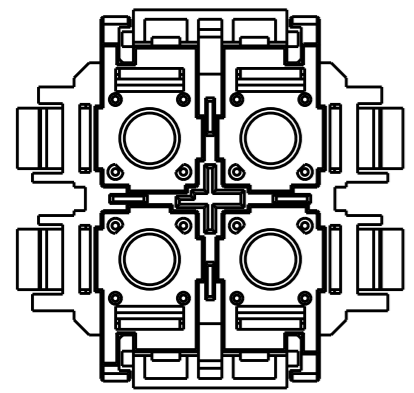


SOCKET BODY HSG  
 GF THERMOPLASTIC 94V-0

CYLINDER HSG  
 GF THERMOPLASTIC 94V-0

PLATE COVER HSG  
 GF THERMOPLASTIC 94V-0

RETENTION PLATE  
 STAINLESS STEEL



THIS DRAWING IS A CONTROLLED DOCUMENT.

DIMENSIONS: mm	TOLERANCES UNLESS OTHERWISE SPECIFIED: ±1.0, ±5°
	0-PLC ±
	1-PLC ±0.1
	2-PLC ±0.01
	3-PLC ±0.001
	4-PLC ±0.0001
	ANGLES ±
MATERIAL △3	FINISH △4

DWN	M. MAEBASHI	31JUL2010
CHK	N. YAMASAKI	31JUL2010
APVD	N. YAMASAKI	31JUL2010
PRODUCT SPEC	108-78470	
APPLICATION SPEC	114-5452	
WEIGHT	-	
CUSTOMER DRAWING		

XX	25~31	1-2069313-1
XX	19~25	2-2069313-1
KEY	APPLICATED INSULATION DIA	PART NO



NAME DYNAMIC D7000 SERIES DYNA-CLAMP KIT 7100 TYPE			
SIZE A3	CAGE CODE 00779	DRAWING NO C-2069313	RESTRICTED TO -
SCALE 1:1		SHEET 1 OF 2	REV D

THIS DRAWING IS UNPUBLISHED.

RELEASED FOR PUBLICATION

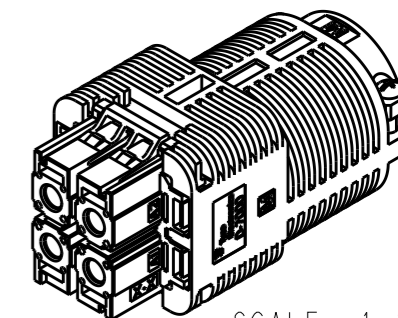
20

© COPYRIGHT 20 BY Tyco Electronics Japan G.K. ALL RIGHTS RESERVED.

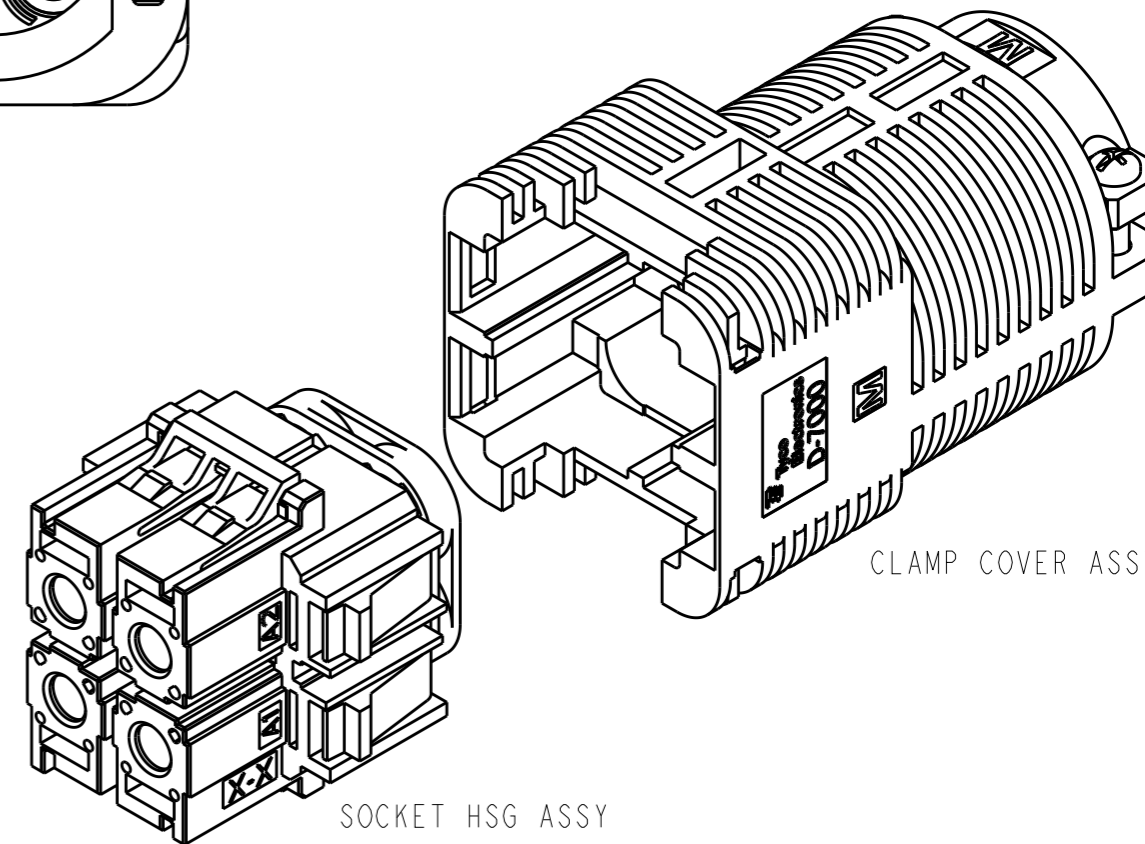
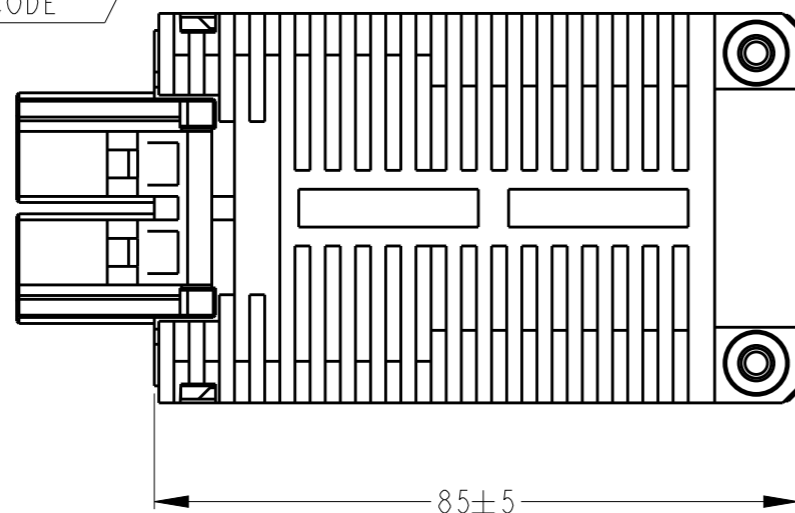
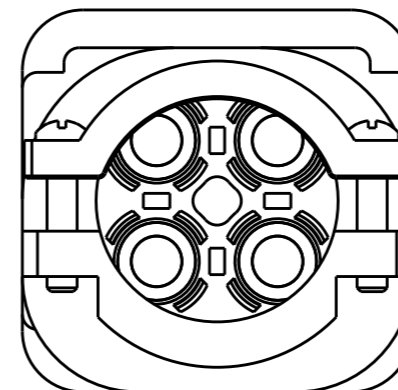
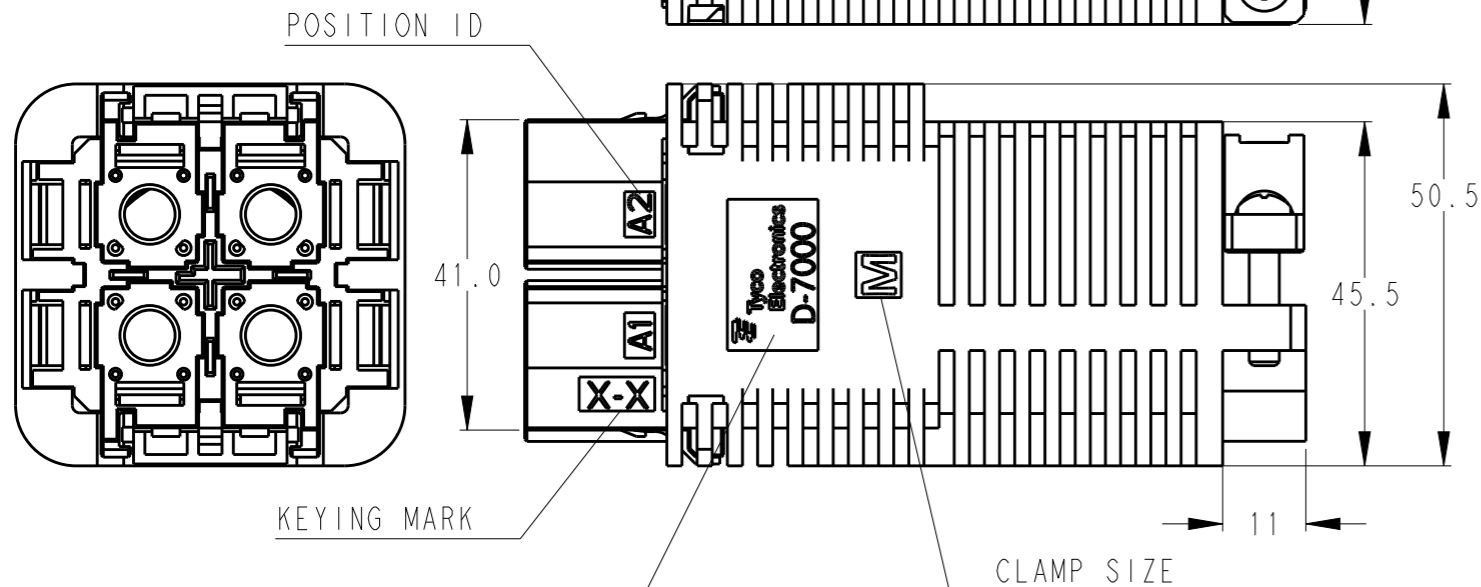
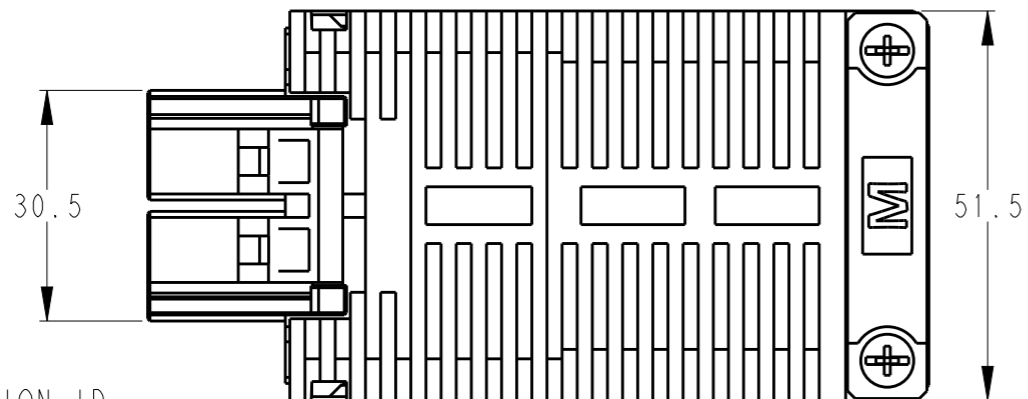
LOC	DIST	REVISIONS					
J	-	P	LTR	DESCRIPTION	DATE	DWN	APVD
				SEE SHEET 1 OF 2			

AS SHOWN : 1-2069313-1

APPLICATED CABTIRE CABLE  
 INSULATION DIA  
 SIZE S :  $\varnothing 19\sim 25$   
 SIZE M :  $\varnothing 25\sim 31$



SCALE 1:2



SOCKET HSG ASSY

CLAMP COVER ASSY

THIS DRAWING IS A CONTROLLED DOCUMENT.		DWN	M. MAEBASHI	31 JUL 2010	 TE Connectivity	NAME		DYNAMIC D7000 SERIES	
DIMENSIONS:		CHK	N. YAMASAKI	31 JUL 2010		Dyna-CLAMP KIT		7100 TYPE	
mm		APVD	N. YAMASAKI	31 JUL 2010		7100 TYPE		RESTRICTED TO	
 TOLERANCES UNLESS OTHERWISE SPECIFIED: $\pm 1.0, \pm 5^\circ$		PRODUCT SPEC	108-78470			SIZE	CAGE CODE	DRAWING NO	
0-PLC $\pm$ 1-PLC $\pm 0.1$ 2-PLC $\pm 0.01$ 3-PLC $\pm 0.001$ 4-PLC $\pm 0.0001$ ANGLES $\pm$		APPLICATION SPEC	114-5452		A3	00779	C-2069313		
MATERIAL		WEIGHT	-		SCALE		1:1	SHEET	2 OF 2
SEE SHEET 1 OF 2		FINISH	-		REV		D		
SEE SHEET 1 OF 2		CUSTOMER DRAWING							