

6

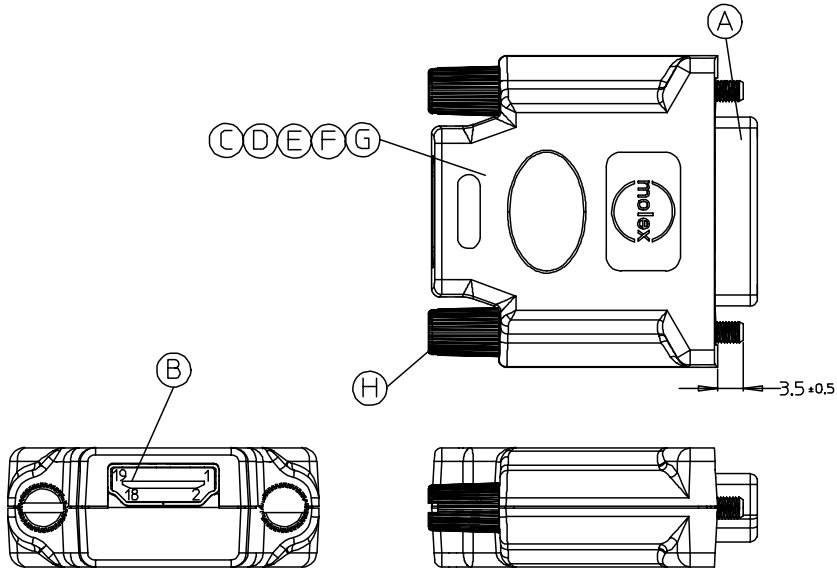
5

4

3

2

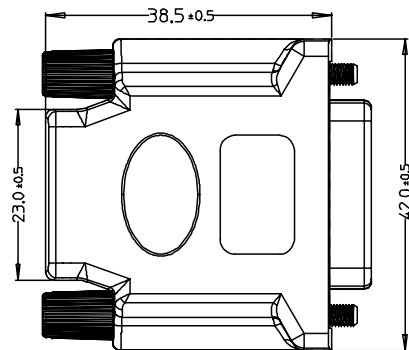
1



## Notes:

1. DIELECTRIC STRENGTH: 300V AC
2. INSULATION RESISTANCE : 100M OHMS Min.
3. CONTACT RESISTANCE: 2 OHMS Max.
4. PCB IMPEDANCE: 100±15 OHMS
5. ABS COVER MOLDED WITH 887800141 WHITE RESIN.

HDMI	DVI-D	Function
1	2	TMDS DATA2+
2	3	TMDS DATA2 SHIELD
3	1	TMDS DATA2-
4	10	TMDS DATA1+
5	11	TMDS DATA1 SHIELD
6	9	TMDS DATA1-
7	18	TMDS DATA0+
8	19	TMDS DATA0 SHIELD
9	17	TMDS DATA0+
10	23	TMDS CLOCK+
11	22	TMDS CLOCK SHIELD
12	24	TMDS CLOCK-
13	N.A	N.A
14	N.A	N.A
15	6	DDC CLOCK(SCL)
16	7	DDC DATA(SDA)
17	15	GROUND(+5V&DDC)
18	14	POWER +5V
19	16	HOT PLUG DETECT
SHIELD	SHIELD	GROUND(+5V&DDC)

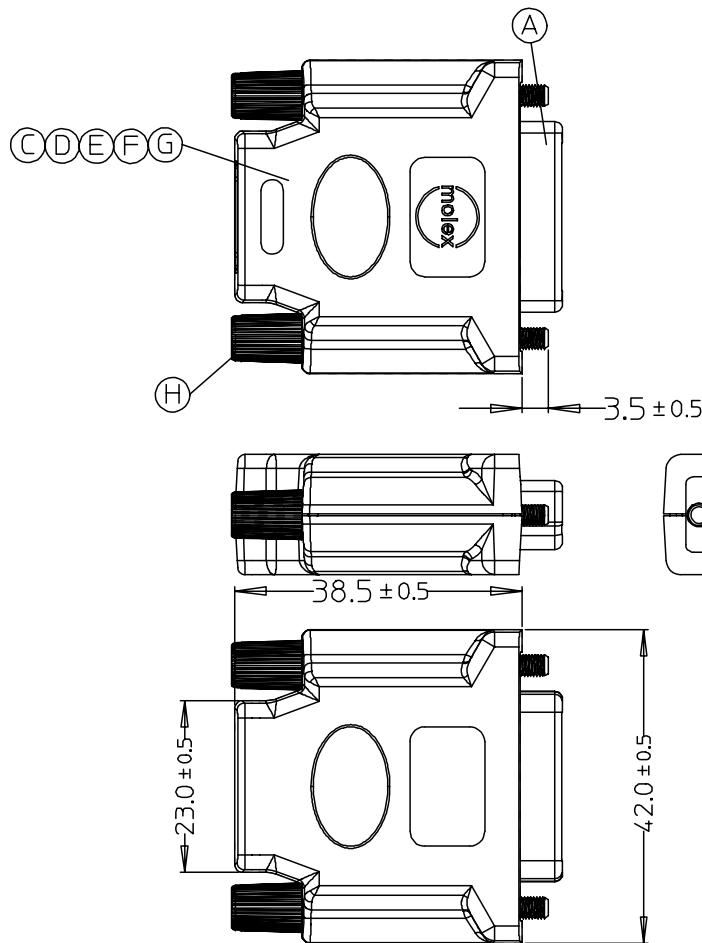
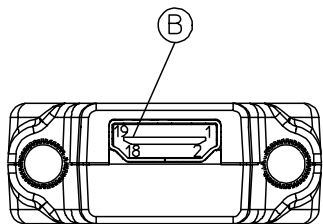


ITEM	DESCRIPTION	USAGE
H	4-40 UNC SCREW	2
G	PCB	1
F	BOTTOM METAL CAN	1
E	TOP METAL CAN	1
D	ABS BOTTOM COVER	1
C	ABS TOP COVER	1
B	HDMI_F&PCB ASSY'	1
A	DVI-D CONN.	1

EC NO.	DRWN: ANDY 04/06/14	CHK:	APPR:	DESCRIPTION	REV	QUALITY SYMBOLS	GENERAL TOLERANCES: (UNLESS SPECIFIED)	SCALE N.S.T	DESIGN UNITS <input checked="" type="checkbox"/> mm <input type="checkbox"/> INCH	THIRD ANGLE PROJECTION	<input type="checkbox"/> mm <input type="checkbox"/> INCH	<input type="checkbox"/> mm <input checked="" type="checkbox"/> mm ONLY	SHT	REV																	
A						MAJOR ▽ = 0 CRITICAL ▽ = 0	<table border="1"> <thead> <tr> <th></th> <th>mm</th> <th>INCH</th> </tr> </thead> <tbody> <tr><td>4 PLACES</td><td>0.</td><td></td></tr> <tr><td>3 PLACES</td><td>0.</td><td></td></tr> <tr><td>2 PLACES</td><td>0.</td><td></td></tr> <tr><td>1 PLACE</td><td>0.5</td><td></td></tr> </tbody> </table>		mm	INCH	4 PLACES	0.		3 PLACES	0.		2 PLACES	0.		1 PLACE	0.5			<input checked="" type="checkbox"/> mm <input type="checkbox"/> INCH	<input type="checkbox"/> mm <input checked="" type="checkbox"/> mm ONLY						
	mm	INCH																													
4 PLACES	0.																														
3 PLACES	0.																														
2 PLACES	0.																														
1 PLACE	0.5																														
							ANGULAR: °	DRAWN BY & DATE ANDY 04/04/01		TITLE: HDMI(F) TO DVI-D(M) ADAPTER																					
								CHECKED BY & DATE Teddy 04/04/01		MOLEX INCORPORATED																					
								APPROVED BY & DATE Boran 04/04/01		CAD FILENAME J6706-00.mi		MATERIAL NO. 88767-0600	DRAWING NO. SD-88767-001	SHEET NO. 1 OF 1																	
								THIS DRAWING CONTAINS INFORMATION THAT IS PROPRIETARY TO MOLEX INCORPORATED AND SHOULD NOT BE USED WITHOUT WRITTEN PERMISSION.							SIZE A4																

7 6 5 4 3 2 1

E  
D  
C  
B  
A



- Notes:
1. DIELECTRIC STRENGTH: 300V AC
  2. INSULATION RESISTANCE : 100M OHMS Min.
  3. CONTACT RESISTANCE: 2 OHMS Max.
  4. PCB IMPEDANCE: 100±15 OHMS
  5. THIS PRODUCT MUST MEET ROHS COMPLIANCE

HDMI	DVI-D	Function
1	2	TMDS DATA2+
2	3	TMDS DATA2 SHIELD
3	1	TMDS DATA2-
4	10	TMDS DATA1+
5	11	TMDS DATA1 SHIELD
6	9	TMDS DATA1-
7	18	TMDS DATA0+
8	19	TMDS DATA0 SHIELD
9	17	TMDS DATA0-
10	23	TMDS CLOCK+
11	22	TMDS CLOCK SHIELD
12	24	TMDS CLOCK-
13	N.A	N.A
14	N.A	N.A
15	6	DDC CLOCK(SCL)
16	7	DDC DATA(SDA)
17	15	GROUND(+5V&DDC)
18	14	POWER +5V
19	16	HOT PLUG DETECT
SHIELD	SHIELD	GROUND(+5V&DDC)

ITEM	DESCRIPTION	USAGE
H	4-40 UNC SCREW	2
G	PCB	1
F	BOTTOM METAL CAN	1
E	TOP METAL CAN	1
D	ABS BOTTOM COVER	1
C	ABS TOP COVER	1
B	HDMI_F&PCB ASSY'	1
A	DVI-D CONN.	1

ENTER DESCRIPTION EC NO: DG2006-0175 DRWN: JFZHENG CHKD: APPR: DQLUO	2006/02/18 2006/02/20 2006/02/20	DESCRIPTION REV	QUALITY SYMBOLS	GENERAL TOLERANCES (UNLESS SPECIFIED)	DIMENSION STYLE	SCALE	DESIGN UNITS	THIRD ANGLE PROJECTION
			▽=0 ▽=0	mm    INCH 4 PLACES ± --- ± --- 3 PLACES ± --- ± --- 2 PLACES ± --- ± --- 1 PLACE ± --- ± --- ANGULAR ± ---°	MM ONLY	---	METRIC	
			DRAFT WHERE APPLICABLE MUST REMAIN WITHIN DIMENSIONS		DRAWN BY    DATE JFZHENG    2006/01/19 CHECKED BY    DATE JFZHENG    2006/01/19 APPROVED BY    DATE DQLUO    2006/01/19	TITLE	HDMI TO DVI-D ADAPTER	
					MATERIAL NO.    DOCUMENT NO.    SHEET NO. 887670600    SD-88767-060    1 OF 1	MOLEX INCORPORATED		

6 5 4 3 2 1

7 6 5 4 3 2 1

E

D

C

B

A

E

D

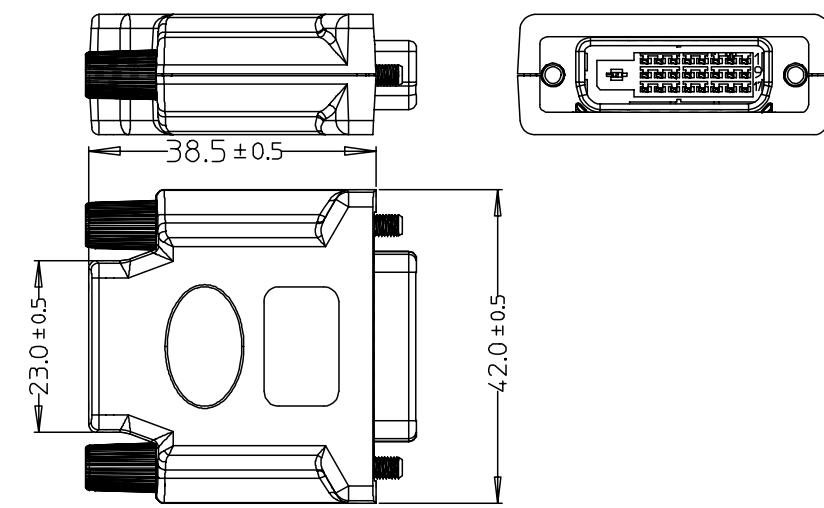
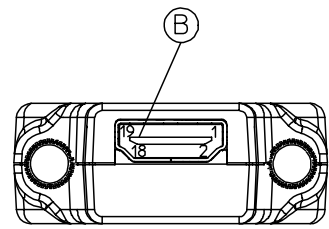
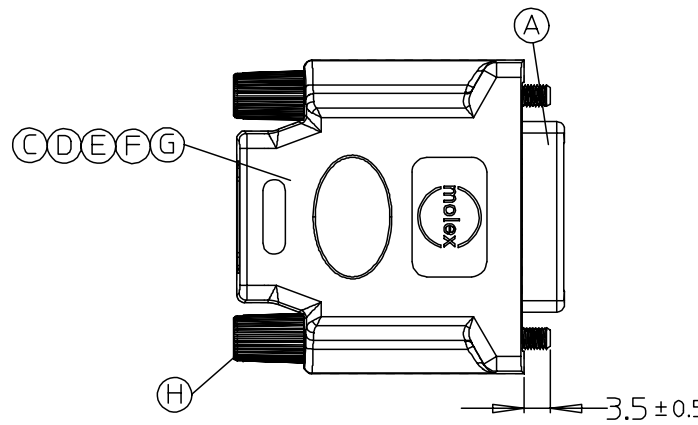
C

B

A

Notes:

1. DIELECTRIC STRENGTH: 300V AC
2. INSULATION RESISTANCE : 100M OHMS Min.
3. CONTACT RESISTANCE: 2 OHMS Max.
4. PCB IMPEDANCE: 100±15 OHMS
5. THIS PRODUCT MUST MEET ROHS COMPLIANCE



HDMI	DVI-D	Function
1	2	TMDS DATA2+
2	3	TMDS DATA2 SHIELD
3	1	TMDS DATA2-
4	10	TMDS DATA1+
5	11	TMDS DATA1 SHIELD
6	9	TMDS DATA1-
7	18	TMDS DATA0+
8	19	TMDS DATA0 SHIELD
9	17	TMDS DATA0-
10	23	TMDS CLOCK+
11	22	TMDS CLOCK SHIELD
12	24	TMDS CLOCK-
13	N.A	N.A
14	N.A	N.A
15	6	DDC CLOCK(SCL)
16	7	DDC DATA(SDA)
17	15	GROUND(+5V&DDC)
18	14	POWER +5V
19	16	HOT PLUG DETECT
SHIELD	SHIELD	GROUND(+5V&DDC)

ITEM	DESCRIPTION	USAGE
H	4-40 UNC SCREW	2
G	PCB	1
F	BOTTOM METAL CAN	1
E	TOP METAL CAN	1
D	ABS BOTTOM COVER	1
C	ABS TOP COVER	1
B	HDMI F&PCB ASSY'	1
A	DVI-D CONN.	1

ENTER DESCRIPTION EC NO: DG2006-0164 DRWN: JFZHENG 2006/01/20 CHKD: 2006/01/20 APPR: DQLUO 2006/08/28	QUALITY SYMBOLS ▽=0 ▽=0	GENERAL TOLERANCES (UNLESS SPECIFIED)		DIMENSION STYLE MM ONLY		SCALE ---	DESIGN UNITS METRIC	THIRD ANGLE PROJECTION			
		4 PLACES ± --- ± ---	3 PLACES ± --- ± ---	2 PLACES ± --- ± ---	1 PLACE ± --- ± ---	DRAWN BY DATE JFZHENG 2006/01/19		TITLE HDMI TO DVI-D ADAPTER			
		ANGULAR ±1/2°				CHECKED BY DATE JFZHENG 2006/01/19		APPROVED BY DATE DQLUO 2006/01/19			
		DRAFT WHERE APPLICABLE MUST REMAIN WITHIN DIMENSIONS				MATERIAL NO. 887670600		DOCUMENT NO. SD-887670600		SHEET NO. 1 OF 1	

6 5 4 3 2 1