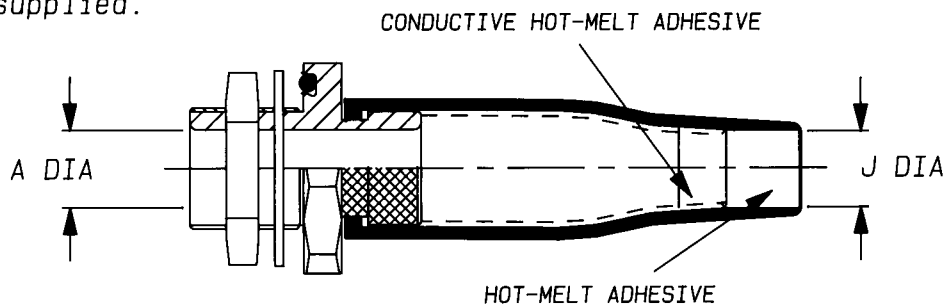
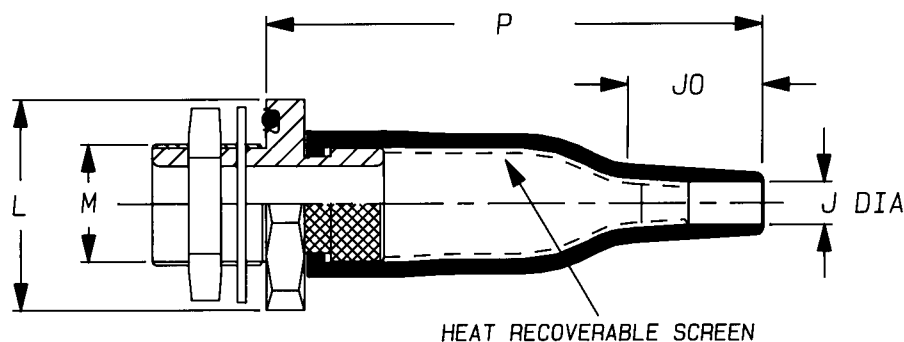


TCFS-**-***-0**-25CH

a) Part as supplied.



b) Part after unrestricted recovery.



KITS TO INCLUDE CLEANING TISSUE, 1 PIECE 100 GRIT EMERY CLOTH & 1 PIECE OF ATUM.
KIT TO BE USED IN CONJUNCTION WITH TCFS INSTALLATION PROCEDURE.

Dimensions (in millimetres)

PART No.	A	J	M	A/F	L	P	JO
	min	min	max	THREAD	Nut	NOM	Ref
		a	b			b	b
TCFS-12	7.4	8	5.0	M12 x 1.5	17	24	15
TCFS-16	10.1	13	6.0	M16 x 1.5	22	29	17
TCFS-20	14.1	15	7.2	M20 x 1.5	27	34	20
TCFS-24	19.1	19	8.5	M24 x 1.5	30	38	25
TCFS-30	24.1	24	10.0	M30 x 1.5	36	47	30
TCFS-36	30.1	33	15.8	M36 x 1.5	41	52	30

Copyright (!)

Urheberrechte

The copyright in this drawing is the property of Raychem Ltd. The drawing is issued on condition that it is not copied, reproduced or disclosed to a third party, either in whole or in part without the prior written consent of Raychem Ltd.

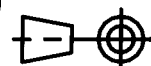
Drawn A.LILLEY. Checked *[Signature]* Issue 5 Date November 1992 Conforms to ISO Recommendations

Approval
Design

[Signature] MKTG.

G.C. *[Signature]*

3rd Angle Projection
Not to Scale



Iss.	Date	E.C.R. No.	Details of Change
2	February 1987	5028	ADHESIVE CHANGED
3	January 1989	5438	Ja CHANGED
4	October 1991	H0044	L was %
5	November 1992	H0125	S/S 30 L WAS 48

Material

(-25) DIESEL RESISTANT ELASTOMER

Part Numbering System.

TCFS-**-***-0**-25CH

