

# General purpose rectifier leadless diode

## RLR4004

### ●Applications

General purpose rectification

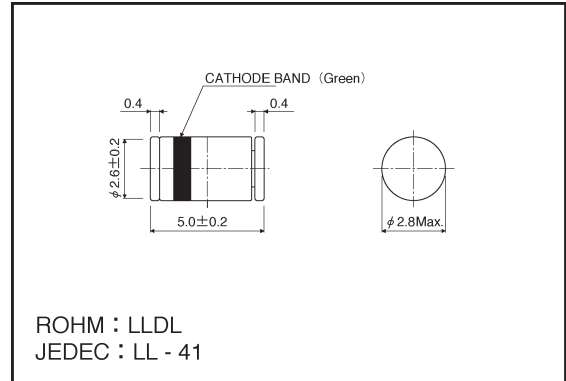
### ●Features

- 1) High reliability.
- 2) Cylindrical mini power glass sealed envelope.

### ●Construction

Silicon diffusion junction

### ●External dimensions (Units: mm)



### ●Absolute maximum ratings (Ta = 25°C)

Parameter	Symbol	Limits	Unit
Absolute peak reverse voltage	$V_{RSM}$	480	V
Peak reverse voltage	$V_{RM}$	400	V
Mean rectifying current *1	$I_o$	0.8	A
Peak forward surge current *2	$I_{FSM}$	20	A
Junction temperature	$T_j$	150	°C
Storage temperature	$T_{stg}$	-55~+150	°C

\*1 When mounted on a PCB board.

\*2 60 Hz for 1  $\varnothing$

### ●Electrical characteristics (Ta = 25°C)

Parameter	Symbol	Min.	Typ.	Max.	Unit	Conditions
Forward voltage	$V_F$	—	0.85	1.0	V	$I_F=0.8A$
Reverse current	$I_R$	—	0.027	10	$\mu A$	$V_R=400V$

● Electrical characteristic curves ( $T_a = 25^\circ\text{C}$  unless specified otherwise)

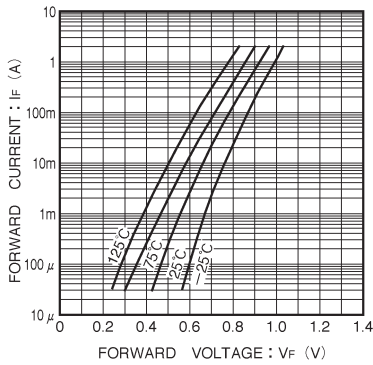


Fig. 1 Forward characteristics

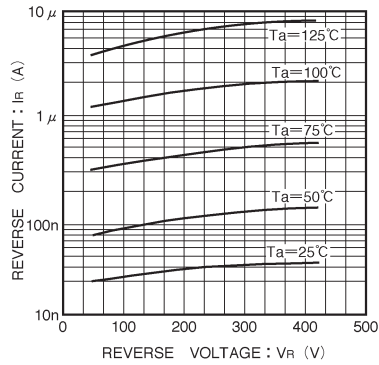


Fig. 2 Reverse characteristics

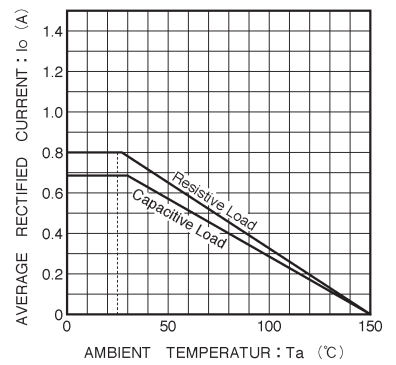


Fig. 3 Derating curve

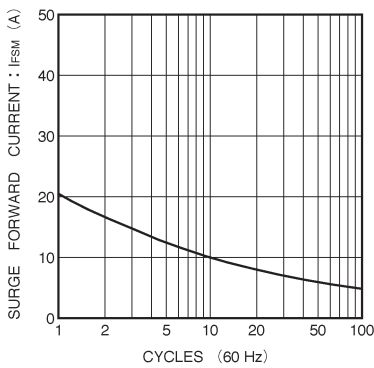


Fig. 4 Maximum peak forward surge current characteristics