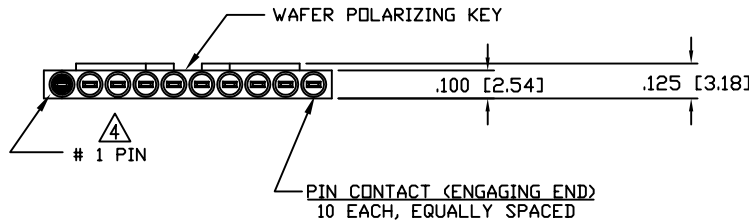
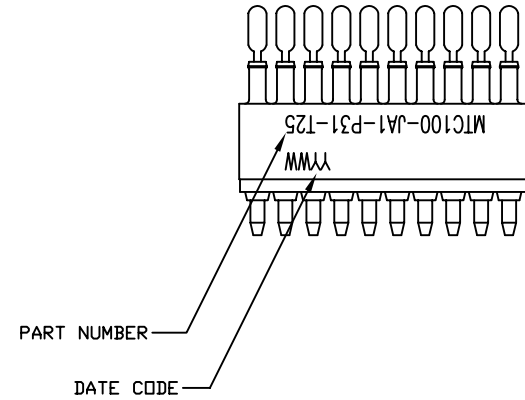
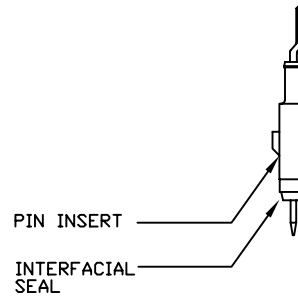
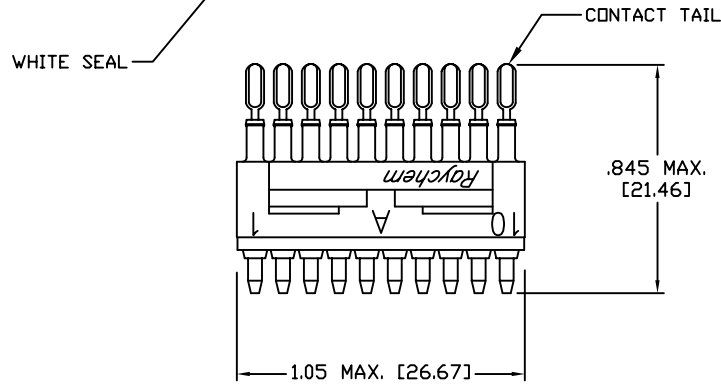
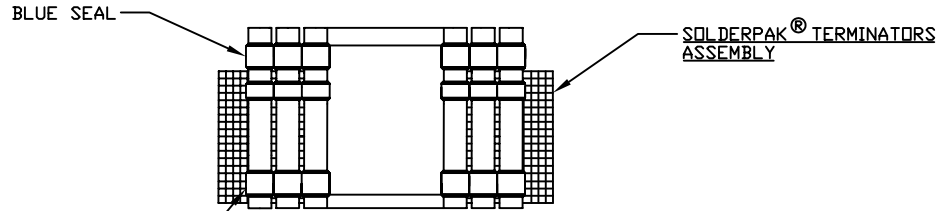


REVISIONS			
LTR	DESCRIPTION	DATE	APPROVED
B	REDRAWN AND UPDATED PER DCR# C040391	FEB-5-04	M.HIGGY



NOTES:

- MATERIAL:
 - A) PIN INSERT: HIGH GRADE POLYARYLENE THERMOPLASTIC.
 - B) PIN CONTACT: COPPER ALLOY (BRASS) PER ASTM B36
 - C) INTERFACIAL SEAL: SILICONE ELASTOMER PER MIL-R-25988
 - D) SOLDERPAK® TERMINATORS ASSEMBLY: REFER TO RAYCHEM DWG. CTA-0226 FOR DATA.

- FINISH:
 - A) PIN INSERT: AS MOLDED.
 - B) PIN CONTACT (ENGAGING END): GOLD PLATE PER ASTM B488
 - C) CONTACT TAIL: SOLDER COATED PER J-STD-006 (Sn96)

3. THIS PIN INSERT MEETS THE REQUIREMENTS OF RAYCHEM SPECIFICATION C-6111.

⚠ NUMBER ONE PIN POSITION IS MARKED AS SHOWN IN CONTRASTING COLOR ON INTERFACIAL SEAL.

**If this document is printed it becomes uncontrolled.
Check for the latest revision.**

SPECIFICATION CONTROL DRAWING

UNLESS OTHERWISE SPECIFIED DIMENSIONS ARE IN INCHES. METRIC DIMENSIONS ARE IN BRACKETS. DECIMALS .XXX ±.005 { .13 mm } .XX ±.02 { .51 mm } ANGLES .X ± WEIGHT: .0045 LB. MAXIMUM 2.04 GRAMS MAXIMUM	DRAWN	ZS.ORBAN	JAN/19/04		TYCO ELECTRONICS 300 Constitution Drive Menlo Park, CA. 94025 USA		
	CHECKED						
	APPROVED			TITLE KIT, 1" PIN INSERT "A" WITH SOLDERPAK® TERMINATORS, FOR ROUND WIRE (20-26 AWG), 150°C TEMPERATURE RATING MTC100 SERIES (SN96)			
	APPROVED	M.HIGGY	JAN/19/04	SIZE	CAGE CODE:	DWG. NO.	REV
CAD NAME	C040391.DWG			A	06090	MTC100-JA1-P31-T25	B
THIRD ANGLE PROJECTION				DO NOT SCALE THIS DRAWING			SHEET 1 OF 1

DWG. NO. MTC100-JA1-P31-T25 SHEET 1