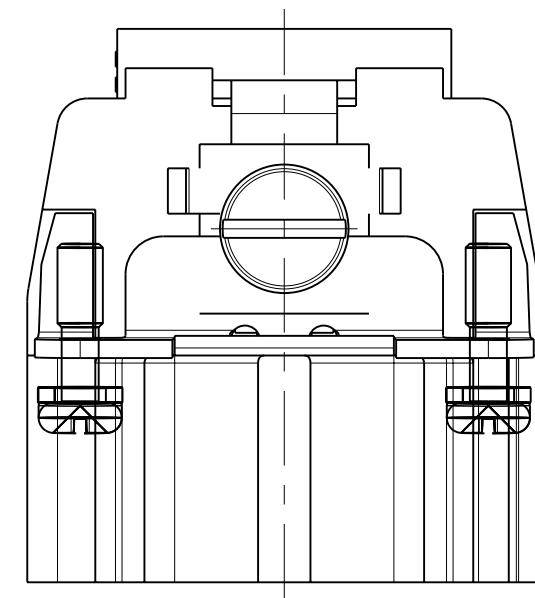
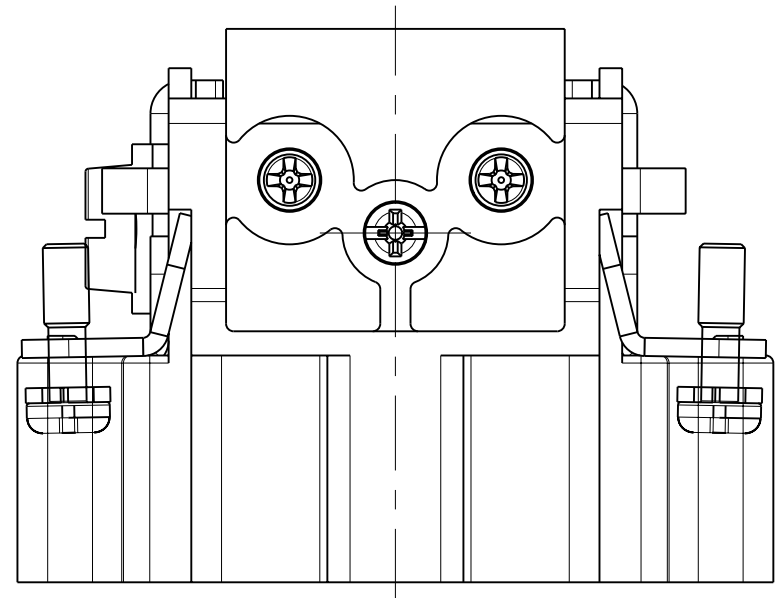
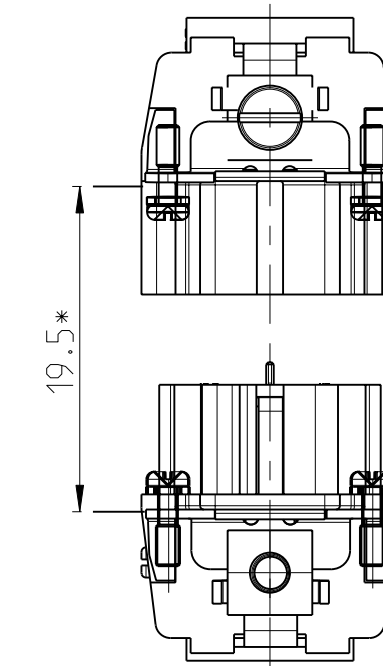


LOC	DIST	REVISIONS			
A1	-	REV	DATE	BY	APPV
		B1	ECR-09-026756	02SEP2010	SR ME

CONTACT ARRANGEMENT  
VIEW FROM TERMINATION SIDE



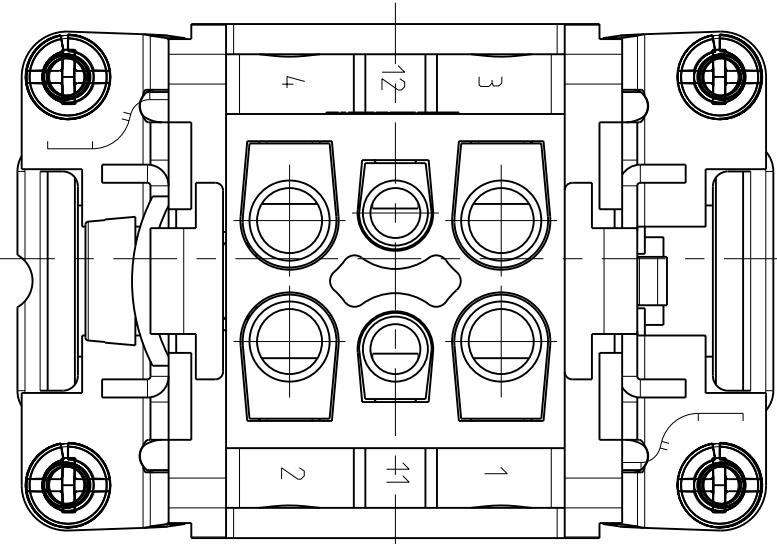
MOUNTING REMARK  
1:1



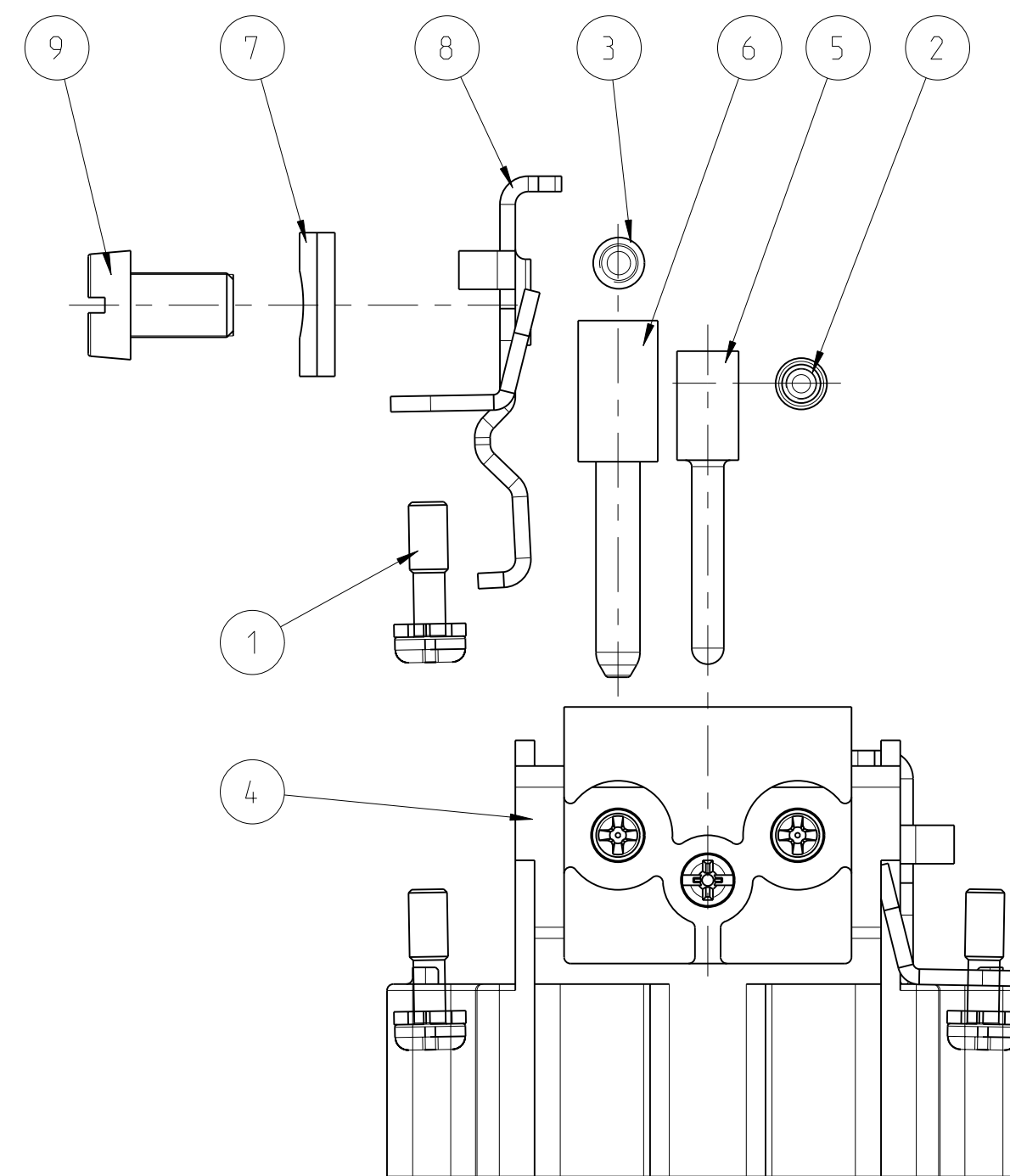
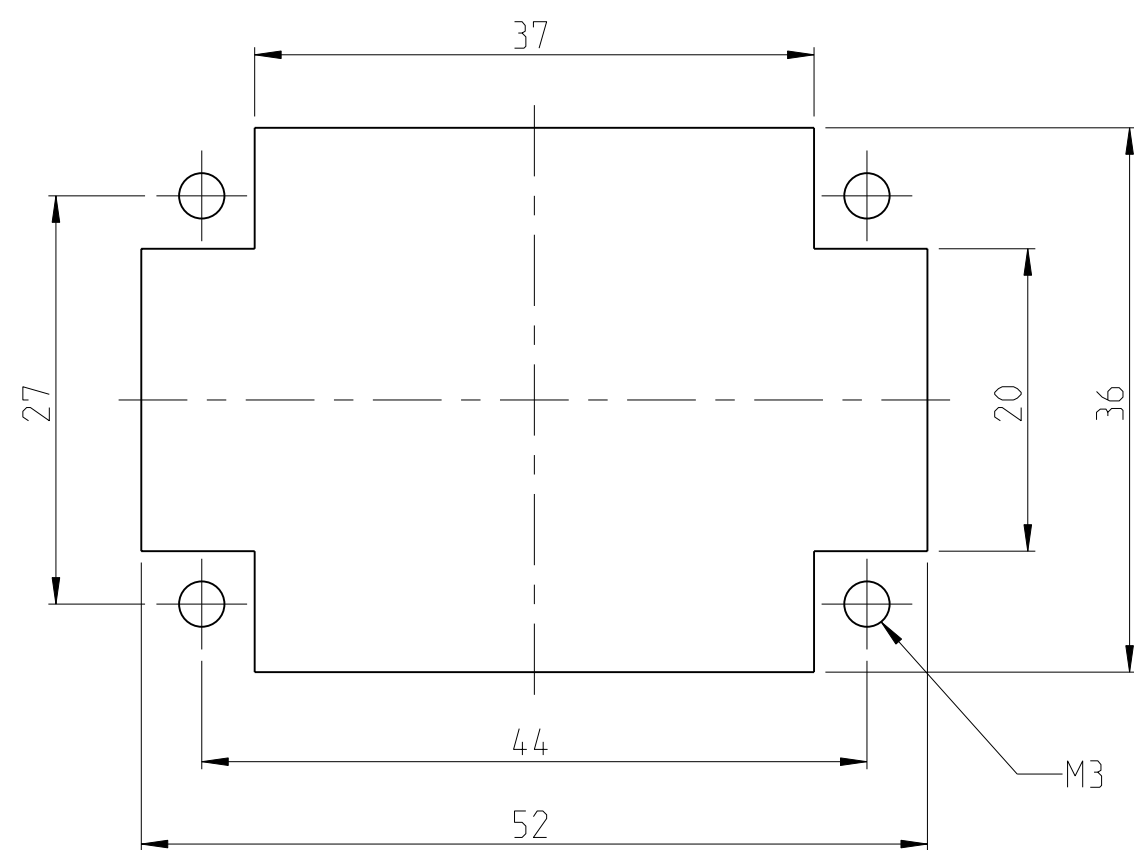
\* DISTANCE FOR GUARANTEED CONTACT 19.5 TO 21MM

NOTES

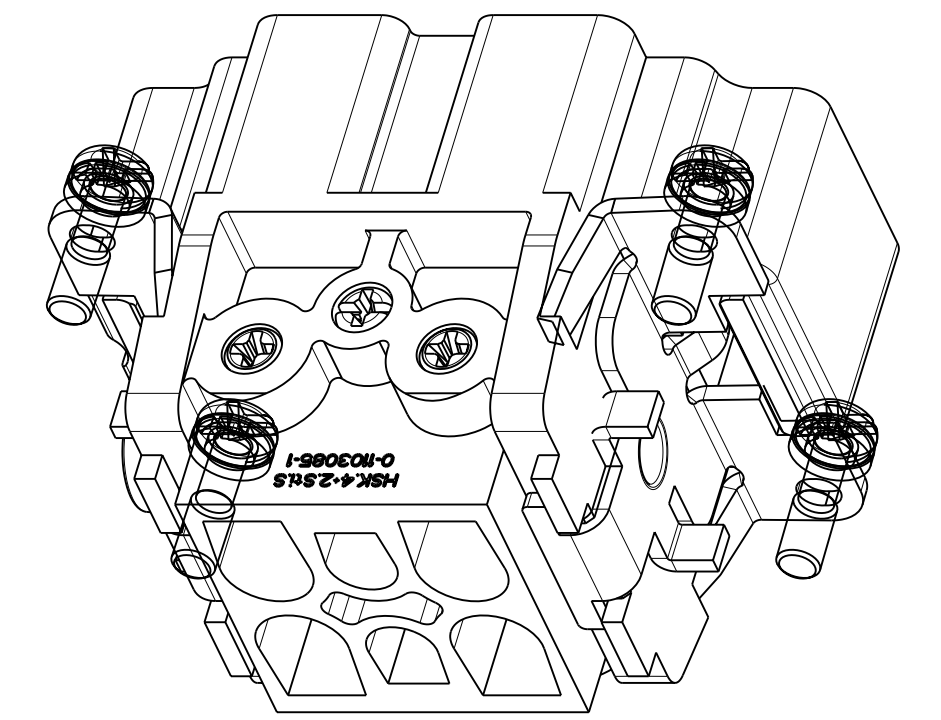
- POVER CONTACT: 1 TO 4  
OUTER DIMENSIONS OF INSULATION: MAX. Ø6.4MM
- SIGNAL CONTACT: 11 AND 12  
OUTER DIMENSIONS OF INSULATION: MAX. Ø4.9MM
- GRUNDING CONTACT
- SUITABLE HOOD SIZE 3 : SERIES HB, HD, EMV, AND HIP
- STANDARDS:  
DIN EN 61984: DIN EN 60664-1
- PACKAGING QUANTITY: 10 PIECES



PANEL CUT-OUT CONTACT INSERT  
WHEN USED WITHOUT HOUSING



2:1



QTY.	DESCRIPTION	MATERIAL	SURFACE	COLOR	NOTE	ITEM
1	SCREW	STEEL	NICKEL PLATED	BLUE	DIN EN ISO 1207-M5x8	9
2	WIRE CONTACT	MESSING		BLUE		8
1	CLAMP TAB	STEEL	NICKEL PLATED	BLUE		7
4	PIN CONTACT	BRASS	NICKEL PLATED			6
2	CONTACT PIN	BRASS	SILVER PLATED	BLUE		5
1	MALE INSERT	PC-GV20		LIGHT GREY		4
4	THREAD PIN HSK.4+2	STEEL	NICKEL PLATED	BLUE	M4x8	3
2	CONTACT SCREW	STEEL	NICKEL PLATED	BLUE	M3x5.7	2
4	FIXING SCREW	STEEL	NICKEL PLATED	BLUE	M3x10.5	1
0-1	HSK.4+2.Sti.S					

THIS DRAWING IS A CONTROLLED DOCUMENT.		DWN R.SCHNEIDER	02SEP2010	TE Connectivity FEMALE INSERT ASSY HSK.4+2	
DIMENSIONS: mm		CHK T.SCHNURPEL	02SEP2010		
TOLERANCES UNLESS OTHERWISE SPECIFIED:		APVD		NAME	
9 PLC ±0.1		PRODUCT SPEC		SIZE CAGE CODE DRAWING NO	
1 PLC ±0.1		APPLICATION SPEC		RESTRICTED TO	
2 PLC ±0.1		WEIGHT		A1 00779 C=1103085	
3 PLC ±0.1		CUSTOMER DRAW ING		SCALE 5:1 SHEET 1 OF 1 REV B1	
4 PLC ±0.1					
ANGLES					
FINISH					